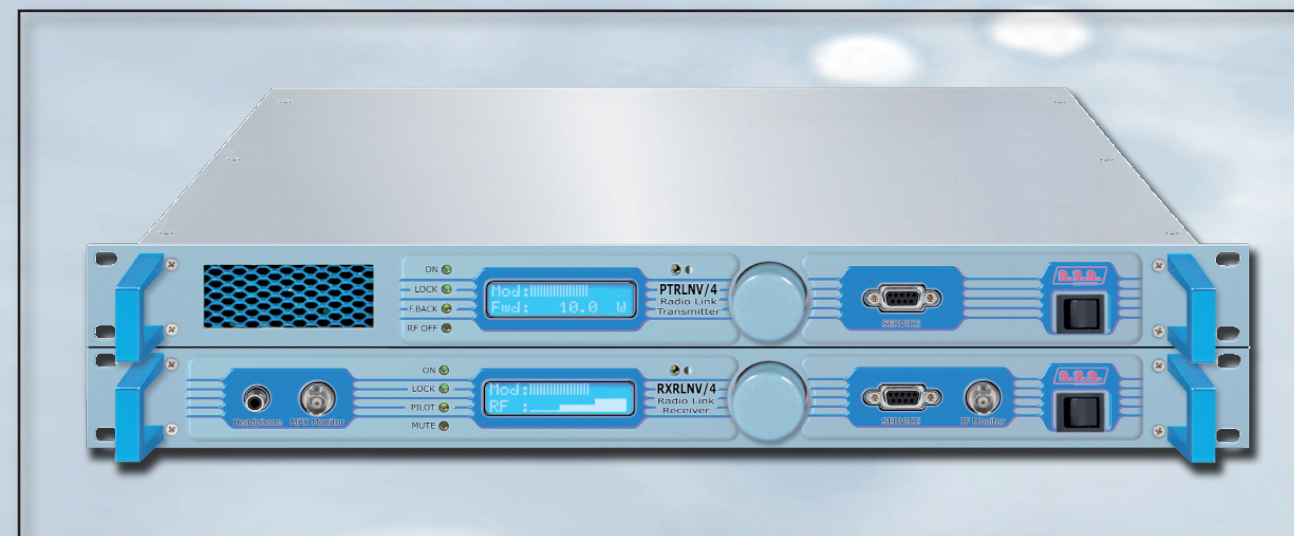




PTRLNV/4 & RXRLNV/4

TECHNICAL ANNEX
VOLUME 2



Appendix A Piani di montaggio, schemi elettrici, liste componenti / Component layouts, schematics, bills of material

Questa parte del manuale contiene i dettagli tecnici riguardanti la costruzione delle singole schede componenti il PTRLNV/4 & RXRLNV/4. L'appendice è composta dalle seguenti sezioni:
 This part of the manual contains the technical details about the different boards of the PTRLNV/4 & RXRLNV/4. This appendix is composed of the following sections:

PTRLNV/4 (1.7 GHz Version)

Description	Band 1500-1600 MHz	Band 1600-1700 MHz	Band 1700-1760 MHz	Band 1760-1800 MHz	Vers.Pages
	RVR Code	RVR Code	RVR Code	RVR Code	
Panel Card	SL040PC1001	SL040PC1001	SL040PC1001	SL040PC1001	1.0 1
Main Board	SL040MA2002	SL040MA2002	SL040MA2002	SL040MA2002	1.2 4
VCO/PLL Card (RIS753MHz)	SL040VC1101	/	/	/	1.0 11
VCO/PLL Card (RIS800MHz)	/	SL040VC1001	/	/	1.0 14
VCO/PLL Card (RIS850MHz)	/	/	SL040VC1301	/	1.0 17
VCO/PLL Card (RIS900MHz)	/	/	/	SL040VC1201	1.0 20
Stripline Filter Card	CSFI0248R2	CSFI0248R2	CSFI0248R2	CSFI0248R2	1.0 23
Driver Board	SL040DR1001	SL040DR1001	SL040DR1001	SL040DR1001	1.1 25
Power Amplifier	SL040RF2001	SL040RF2001	SL040RF2001	SL040RF2001	1.0 28
RF Control Card	SLCNTMOS06.FM30	SLCNTMOS06.FM30	SLCNTMOS06.FM30	SLCNTMOS06.FM30	1.0 35
Power Supply	PS24185UIBL2	PS24185UIBL2	PS24185UIBL2	PS24185UIBL2	2.0 41
Options					
Stereo Coder Card Option (/S-PTNV4)	SLCTC30V03	SLCTC30V03	SLCTC30V03	SLCTC30V03	1.1 50

PTRLNV/4 (2.4 GHz Version)

Description	Band 2300-2360 MHz	Band 2360-2500 MHz			Vers.Pages
	RVR Code	RVR Code			
Panel Card	SL040PC1001	SL040PC1001			1.0 1
Main Board	SL040MA2002	SL040MA2002			1.0 4
VCO/PLL Card (RIS753MHz)	SL040VC1101	/			1.0 11
VCO/PLL Card (RIS800MHz)	/	SL040VC1001			1.0 14
Stripline Filter Card	CSFI0247R2	CSFI0247R2			1.0 24
Power Amplifier	SL040RF1001	SL040RF1001			1.0 31
Bias Card	SL040BI2002	SL040BI2002			0.1 38
Power Supply	FLYPTRL1U	FLYPTRL1U			1.0 47
Options					
Stereo Coder Card Option (/S-PTNV4)	SLCTC30V03	SLCTC30V03			1.1 50

RXRLNV/4 (1.7 GHz Version)

Description	Band 1500-1600 MHz	Band 1600-1700 MHz	Band 1700-1760 MHz	Band 1760-1800 MHz	Vers.Pages
	RVR Code	RVR Code	RVR Code	RVR Code	
Panel Card	SL040PC1101	SL040PC1101	SL040PC1101	SL040PC1101	1.0 53
Main Board	SL040MA1002	SL040MA1002	SL040MA1002	SL040MA1002	1.2 56
VCO/PLL Card (RIS800MHz)	SL040VC2001	SL040VC2001	SL040VC2001	/	1.0 61
VCO/PLL Card (RIS850MHz)	/	/	/	SL040VC2201	1.0 64
Stripline Filter Card	CSFI0248R2	CSFI0248R2	CSFI0248R2	CSFI0248R2	1.0 23
RF/IF Converter Card	SL040IF2004	SL040IF2004	SL040IF2004	SL040IF2004	1.1 67
Power Supply	FLYRXRL1U	FLYRXRL1U	FLYRXRL1U	FLYRXRL1U	1.2 72
Options					
Stereo Decoder Card Option (/05-RXRLNV4)	SLDECMDRXL01	SLDECMDRXL01	SLDECMDRXL01	SLDECMDRXL01	1.0 75

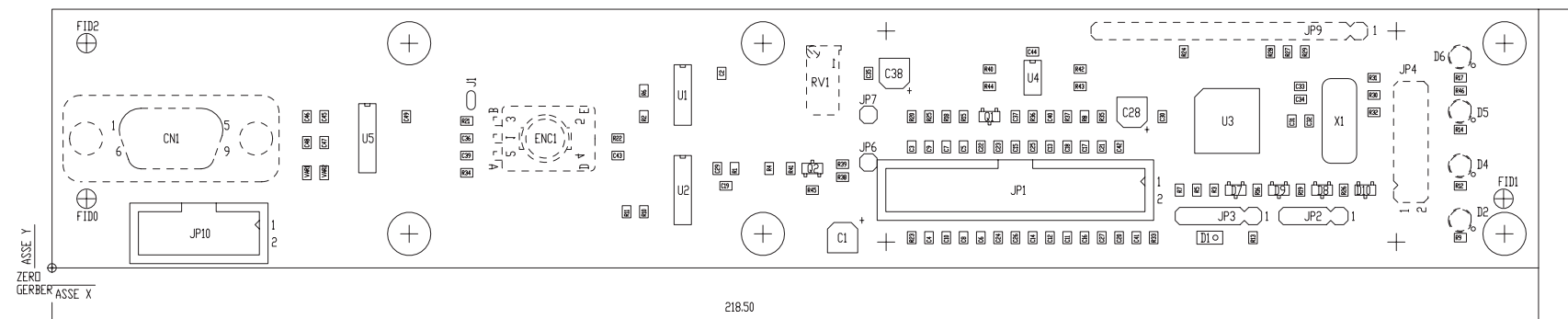
RXRLNV/4 (2.4 GHz Version)

Description	Band 2300-2360 MHz	Band 2360-2500 MHz			Vers.Pages
	RVR Code	RVR Code			
Panel Card	SL040PC1101	SL040PC1101			1.0 53
Main Board	SL040MA1002	SL040MA1002			1.2 56
VCO/PLL Card (RIS800MHz)	SL040VC2001	SL040VC2001			1.0 61
Stripline Filter Card	CSFI0247R2	CSFI0247R2			1.0 24
RF/IF Converter Card	SL040IF2004	SL040IF2004			1.1 67
Power Supply	FLYRXRL1U	FLYRXRL1U			1.2 72
Options					
Stereo Decoder Card Option (/05-RXRLNV4)	SLDECMDRXL01	SLDECMDRXL01			1.0 75

Document History

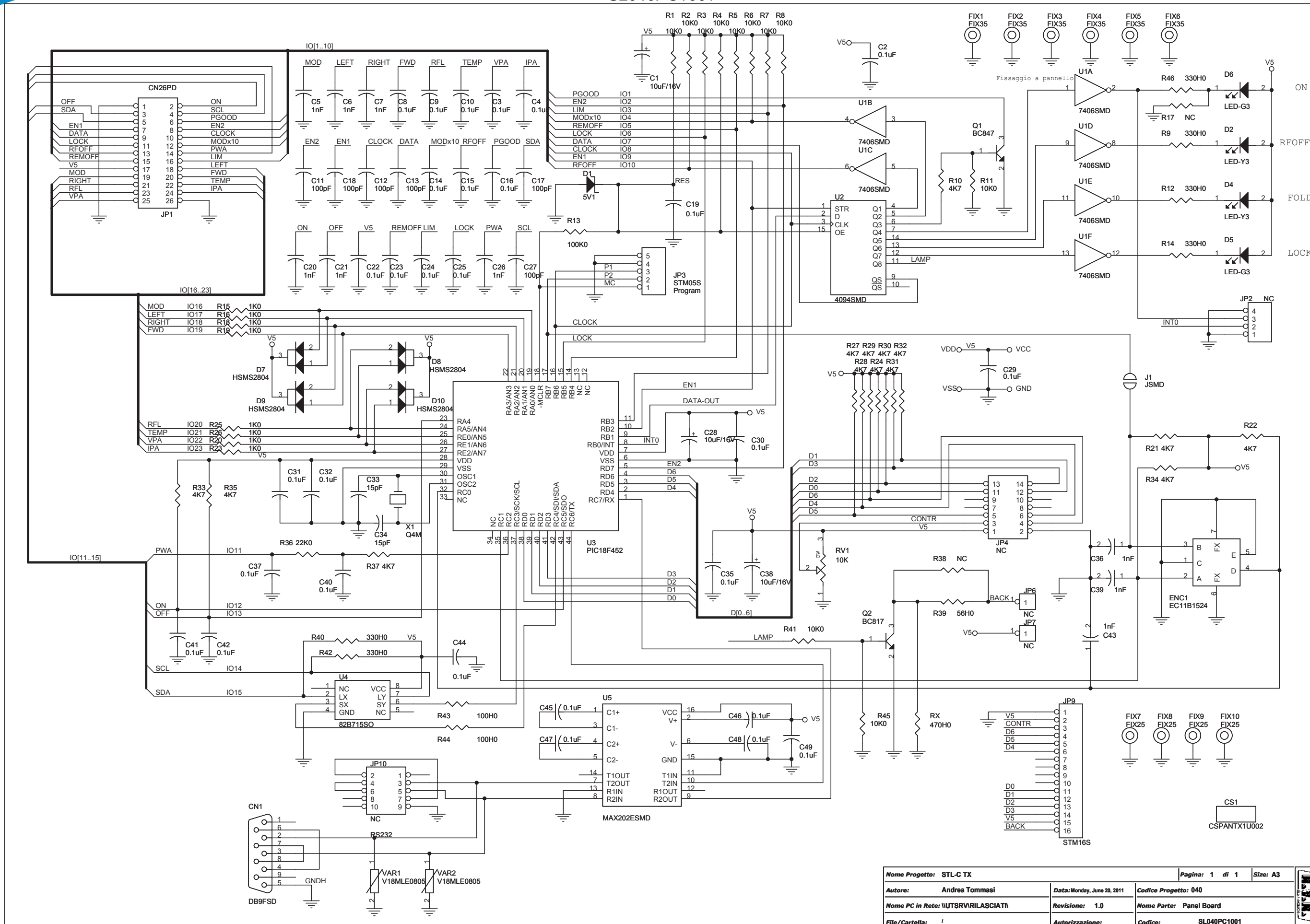
Date	Version	Reason	Code	Editor
17/06/2011	1.0	First Release	/	J.H. Berti
10/10/2014	1.1	Minor Updates	/	J.H. Berti

SL040PC1001



RILASCIO: 22/11/04			DIS. S.POL. CTR. A2 LATO PIANO DI MONTAGGIO VISTA LATO COMPONENTI
REV:			
DIM.SCHEDA: VEDI QUOTE TRATT.: STANDARD COSTRUTTORE	DENOMINAZIONE SCHEDA PANEL BOARD		
MAT.: FR4-74 1.6mm Cu35um VISTA POSITIVA	CODICE CSPANTX1U002	RVR ELETTRONICA S.P.A.	SCALA 1:1

SL040PC1001



Nome Progetto: STL-C TX		Pagina: 1 di 1		Size: A3
Autore: Andrea Tommasi	Data: Monday, June 20, 2011	Codice Progetto: 040		
Nome PC in Rete: IUTSRVIRILASCIATI		Revisione: 1.0	Nome Parte: Panel Board	
File/ Cartella: /	Autorizzazione:	Codice: SL040PC1001		

SL040PC1001

Panel Board - SL040PC1001
06/03/2006 Revision: 1.0
STL-C TX
40

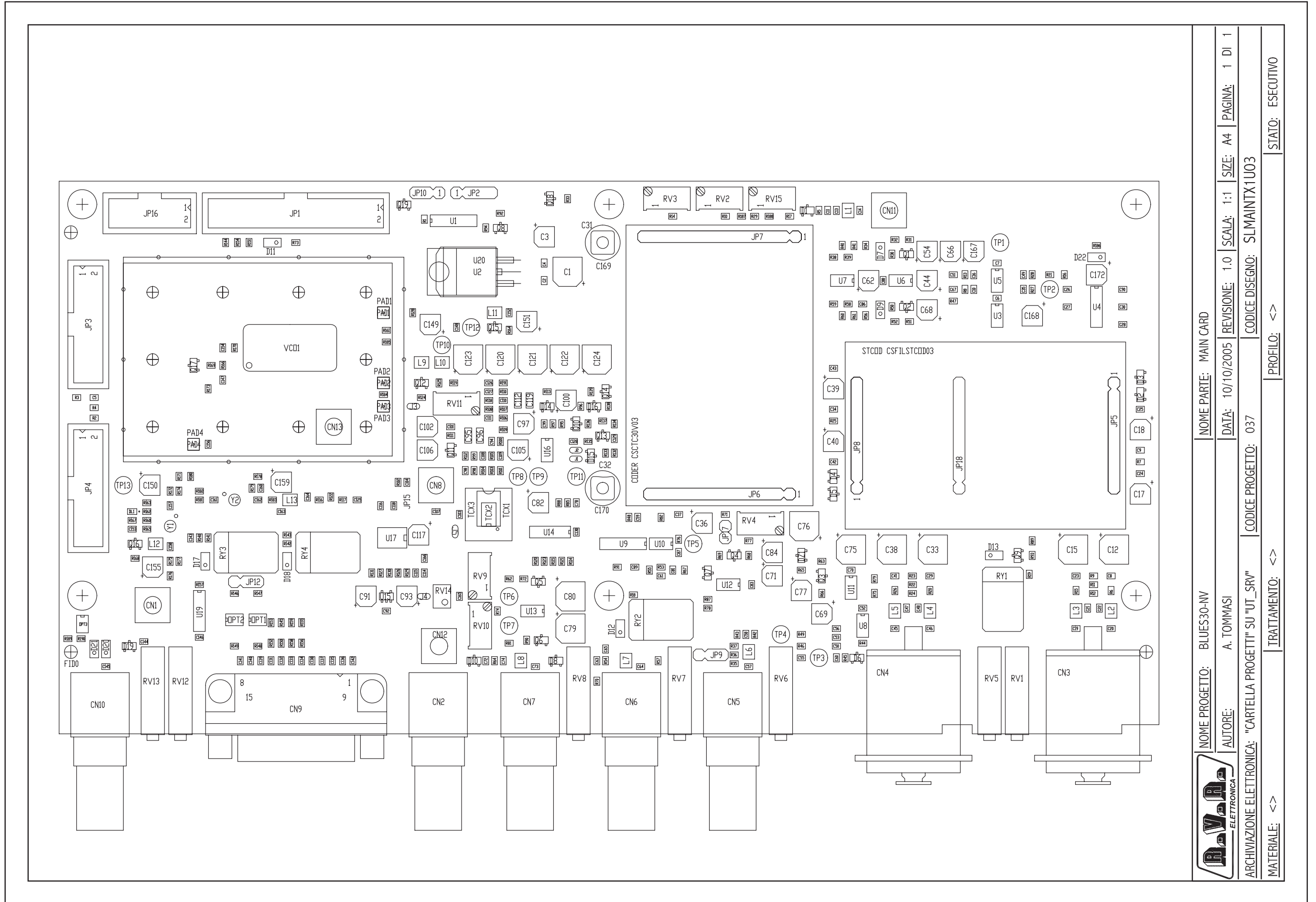
Andrea Tommasi

Item	Quantity	Reference	Part	Description	Code
1	1	CN1	DB9FSD	Connettore DB9 femm. cs	CNTDB9FCSD1
2	1	CS1	CSPANTX1U002	Circuito stampato	CSPANTX1U002
3	3	C1, C28, C38	10uF/16V	Cond. Elett. SMD d. 4mm	CES106A160
4	29	C2, C3, C4, C8, C9, C10, C14, C15, C16, C19, C22, C23, C24, C25, C29, C30, C31, C32, C35, C37, C40, C41, C42, C44, C45, C46, C47, C48, C49	0.1uF	Cond. SMD 0805	CCC085104KXC
5	9	C5, C6, C7, C20, C21, C26, C36, C39, C43	1nF	Cond. SMD 0805	CCC085102JNC
6	6	C11, C12, C13, C17, C18, C27	100pF	Cond. SMD 0805	CCC085101JCC
7	2	C33, C34	15pF	Cond. SMD 0805	CCC085150JCC
8	1	D1	MINIMELF SMD Zener Diode	5V1	DIZ5V1MINI
9	2	D2, D4	LED-Y3	LED dia. 3mm	LEDG03
10	2	D5, D6	LED-G3	LED dia. 3mm	LEDV03
11	4	D7, D8, D9, D10	HSMS2804	Doppio Diode SMD SOT23	DISHSMS2804
12	1	ENC1	EC11B1524	Incremental encoder ALPS EC11	CMMRALPS
13	6	FIX1, FIX2, FIX3, FIX4, FIX5, FIX6	FIX35	Foro fissaggio	
14	4	FIX7, FIX8, FIX9, FIX10	FIX25	Foro fissaggio 2.5mm	NOTA 2
15	1	JP1	CN26PD	Connettore 26 poli Flat cs	CNTMCS26A
16	1	JP2	NC	Strip maschio 4 pin	
17	1	JP3	STM05S	Strip maschio 5 pin	NOTA 1
18	1	JP4	NC	Strip maschio 14 pin doppia fila	
19	2	JP6, JP7	NC	Strip femmina 1 pin	
20	1	JP9	STM16S	Strip maschio 16 pin	NOTA 1
21	1	JP10	NC	Connettore 10 poli Flat cs	
22	1	J1	JSMC	Pad SMD a saldare	
23	1	Q1	BC847	Trans. NPN SOT23	TRNBC847
24	1	Q2	BC817	Trans. NPN SOT23	TRNBC817
25	1	RV1	10K	Trimmer Rg V 3296W	RVT3296WK010
26	1	RX NOTA3	470H0	Res. SMD 0805	RCH085F0470H
27	11	R1, R2, R3, R4, R5, R6, R7, R8, R11, R41, R45	10K0	Res. SMD 0805	RCH085F0010K
28	1	R13	100K0	Res. SMD 0805	RCH085F0100K
29	6	R9, R12, R14, R40, R42, R46	330H0	Res. SMD 0805	RCH085F0330H
30	14	R10, R21, R22, R24, R27, R28, R29, R30, R31, R32, R33, R34, R35, R37	4K7	Res. SMD 0805	RCH085F004K7
31	8	R15, R16, R18, R19, R20, R23, R25, R26	1K0	Res. SMD 0805	RCH085F0001K
32	2	R17, R38	NC	Res. SMD 0805	
33	1	R36	22K0	Res. SMD 0805	RCH085F0022K
34	1	R39	56H0	Res. SMD 0805	RCH085F0056H
35	2	R43, R44	100H0	Res. SMD 0805	RCH085F0100H
36	1	U1	7406SMD	Hex inv OC SMD SO14	CID7406S
37	1	U2	4094SMD	Shift Reg. SMD SO16	CIDCD4094S
38	1	U3	PIC18F452	TQFP44 SMD Microprocessor	CIDPIC18F452
39	1	U4	82B715SO	IIC Bus driver SMD SO8	CID82B715S
40	1	U5	MAX202ESMD	RS232 Driver SMD SO16	CIDMX202ESDS
41	2	VAR1, VAR2	V18MLE0805	ESD SMD protector	MOV018V085
42	1	X1	Q4M	Quarzo SMD HC49SMD	QRZ000004MC

NOTA 1 Spezzoni strip maschio, la 16 pin per collegare il display

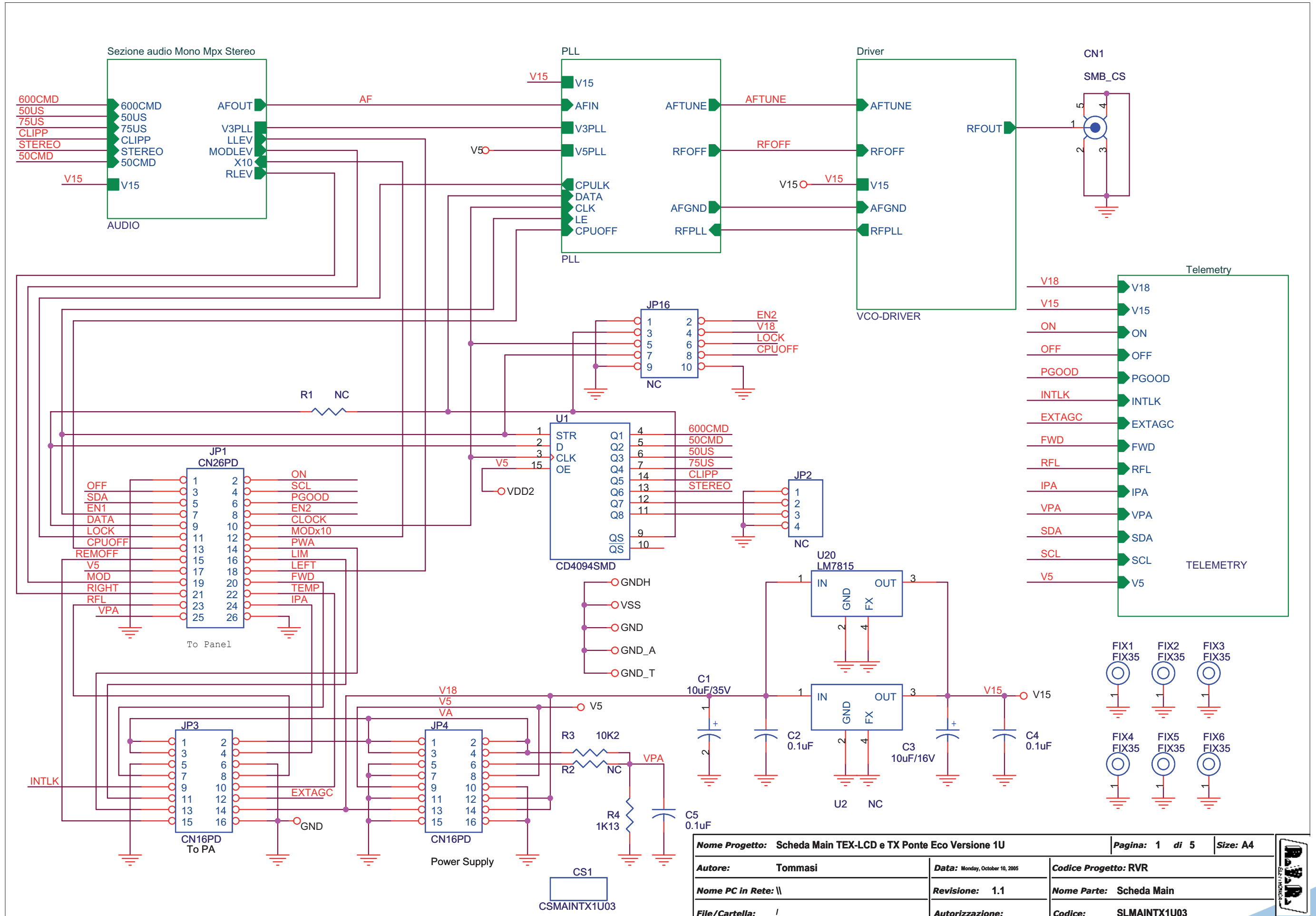
NOTA 2 Fissare il display con 2 torrette isolate DSTPH6X2.9 montate dalla parte opposta della strip
Il display dovrebbe essere quello BLU APEX RC162051BNHDWB-V1 oppure SDEC (Mectronic) SSC2P16DLNW-E

NOTA 3 Montata a mano sotto il CS vedi foto "Modifica02"



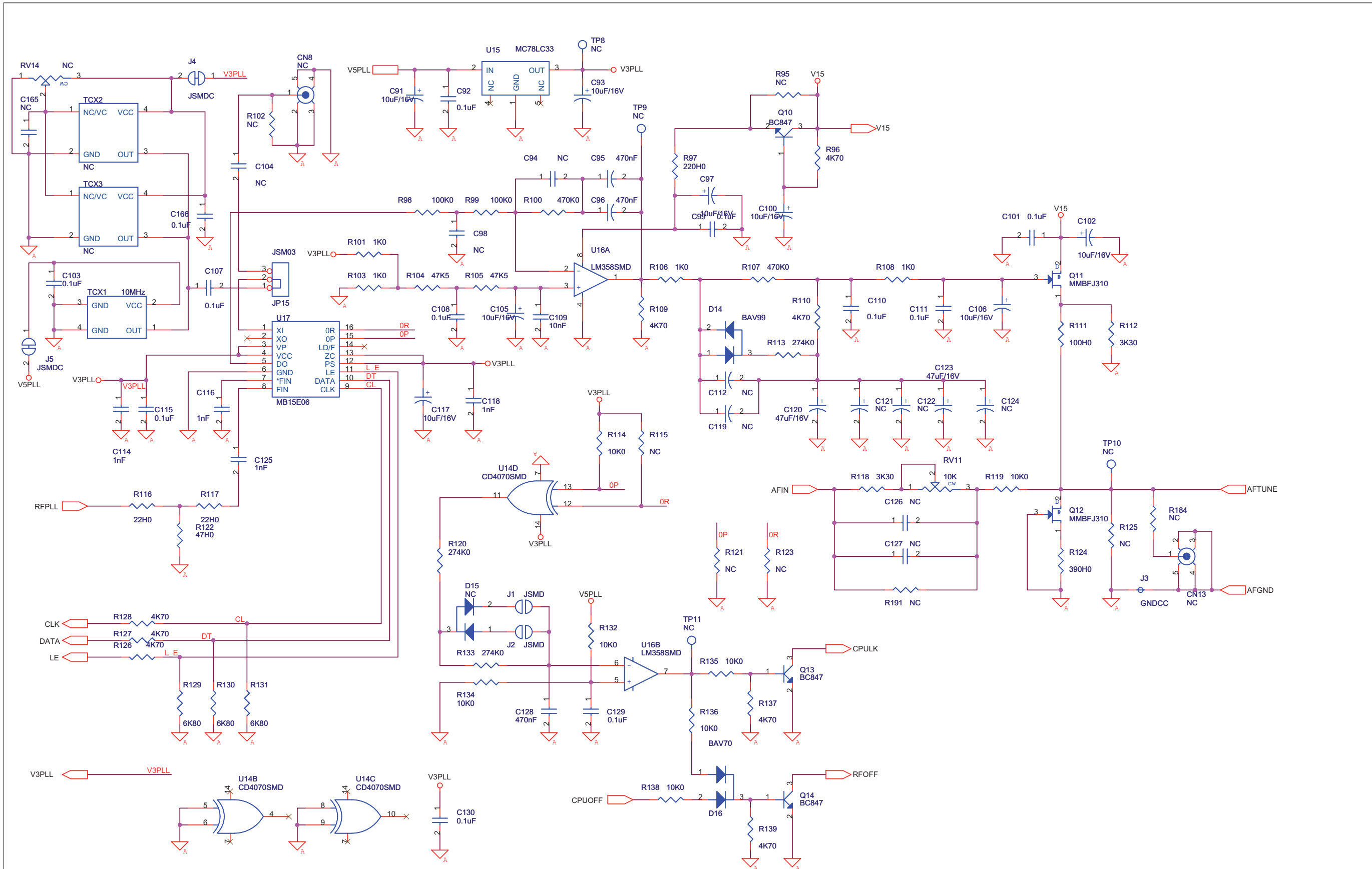
NOME PROGETTO: BLUES30-NV	NOME PARTE: MAIN CARD
AUTORE: A. TOMMASI	DATA: 10/10/2005
ARCHIVIAZIONE ELETTRONICA: "CARTELLA PROGETTI" SU "UT_SRV"	REVISIONE: 1.0
MATERIALE: <>	SCALA: 1:1
	SIZE: A4
	PAGINA: 1 DI 1
	CODICE PROGETTO: 037
	CODICE DISEGNO: SLMAINTX1U03
	TRATTAMENTO: <>
	PROFILO: <>
	STATO: ESECUTIVO

SL040MA2002



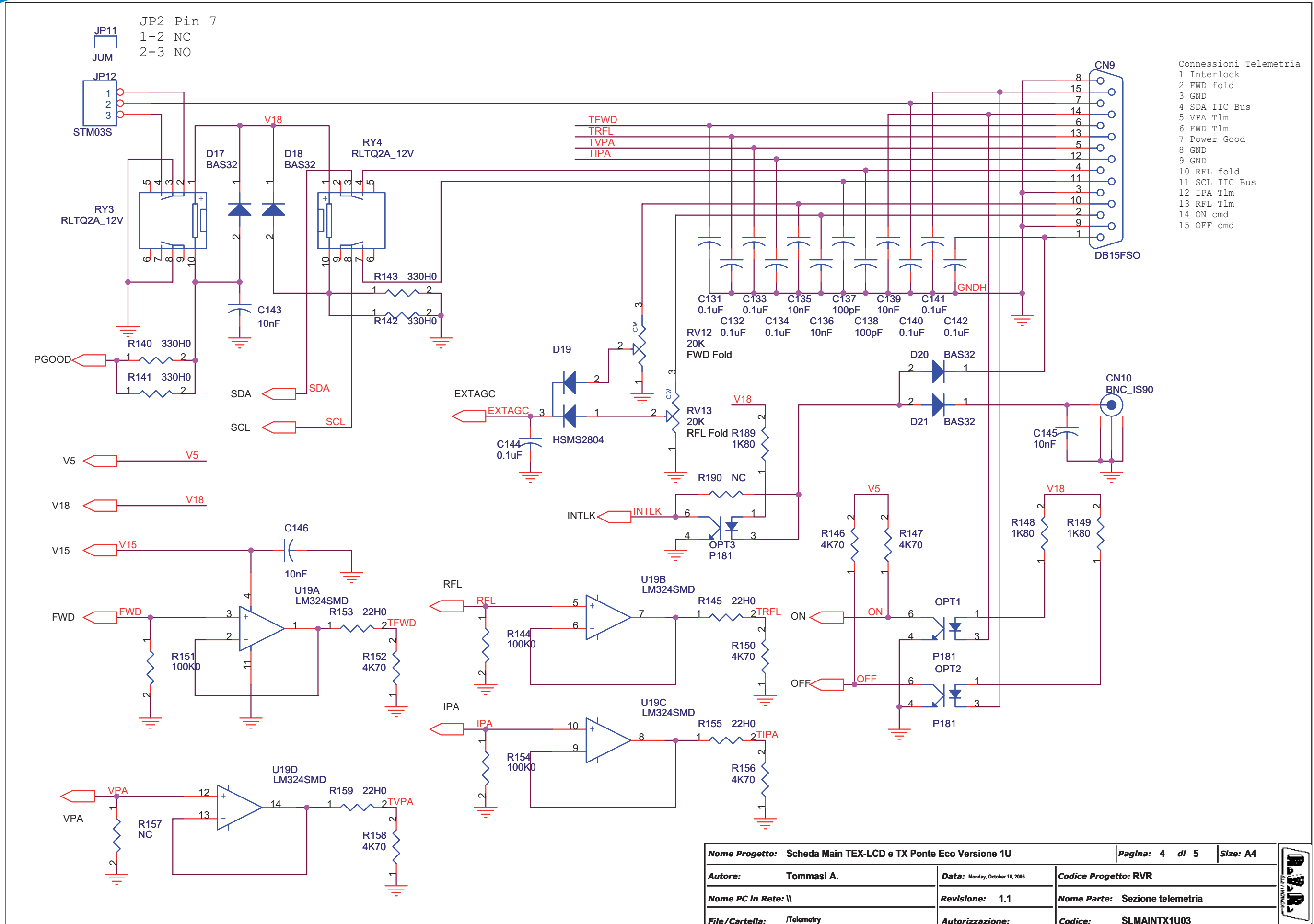
Nome Progetto: Scheda Main TEX-LCD e TX Ponte Eco Versione 1U		Pagina: 1 di 5	Size: A4
Autore: Tommasi	Data: Monday, October 10, 2005	Codice Progetto: RVR	
Nome PC in Rete: \\	Revisione: 1.1	Nome Parte: Scheda Main	
File/Cartella: /	Autorizzazione:	Codice: SLMAINTX1U03	

SL040MA2002



Nome Progetto: Scheda Main TEX-LCD e TX Ponte Eco Versione 1U		Pagina: 3 di 5	Size: A3
Autore: Tommasi	Data: Monday, October 18, 2009	Codice Progetto: RVR	
Nome PC in Rete: \	Revisione: 1.1	Nome Parte: Sezione PLL	
File/Cartella: PLL	Autorizzazione:	Codice: SLMAXTX1U03	

SL040MA2002

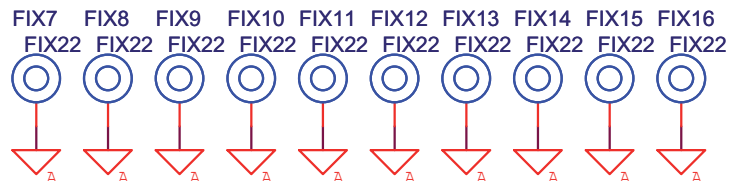
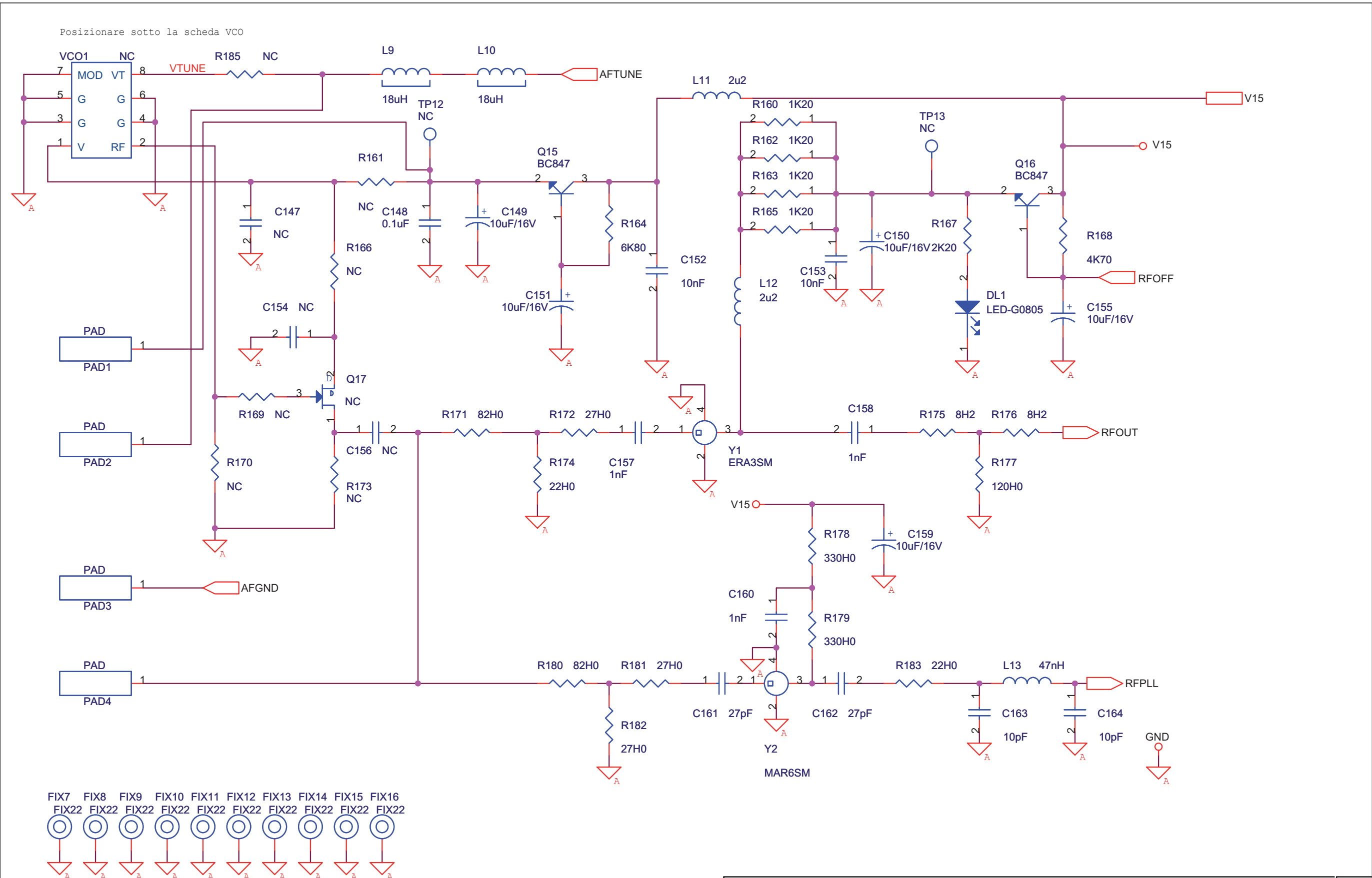


- Connessioni Telemetria
- 1 Interlock
 - 2 FWD fold
 - 3 GND
 - 4 SDA IIC Bus
 - 5 VPA Tlm
 - 6 FWD Tlm
 - 7 Power Good
 - 8 GND
 - 9 GND
 - 10 RFL fold
 - 11 SCL IIC Bus
 - 12 IPA Tlm
 - 13 RFL Tlm
 - 14 ON cmd
 - 15 OFF cmd

Nome Progetto: Scheda Main TEX-LCD e TX Ponte Eco Versione 1U		Pagina: 4 di 5	Size: A4
Autore: Tommasi A.	Data: Monday, October 10, 2005	Codice Progetto: RVR	
Nome PC in Rete: \	Revisione: 1.1	Nome Parte: Sezione telemetria	
File/Cartella: /Telemetry	Autorizzazione:	Codice: SLMAINTX1U03	

SL040MA2002

Posizionare sotto la scheda VCO



Nome Progetto: Scheda Main TEX-LCD e TX Ponte Eco Versione 1U		Pagina: 5 di 5	Size: A4
Autore: Tommasi	Data: Monday, October 10, 2005	Codice Progetto: RVR	
Nome PC in Rete: \\	Revisione: 1.1	Nome Parte: Sezione Vco-Driver	
File/Cartella: /Driver	Autorizzazione:	Codice: SLMAINTX1U03	

SL040MA2002

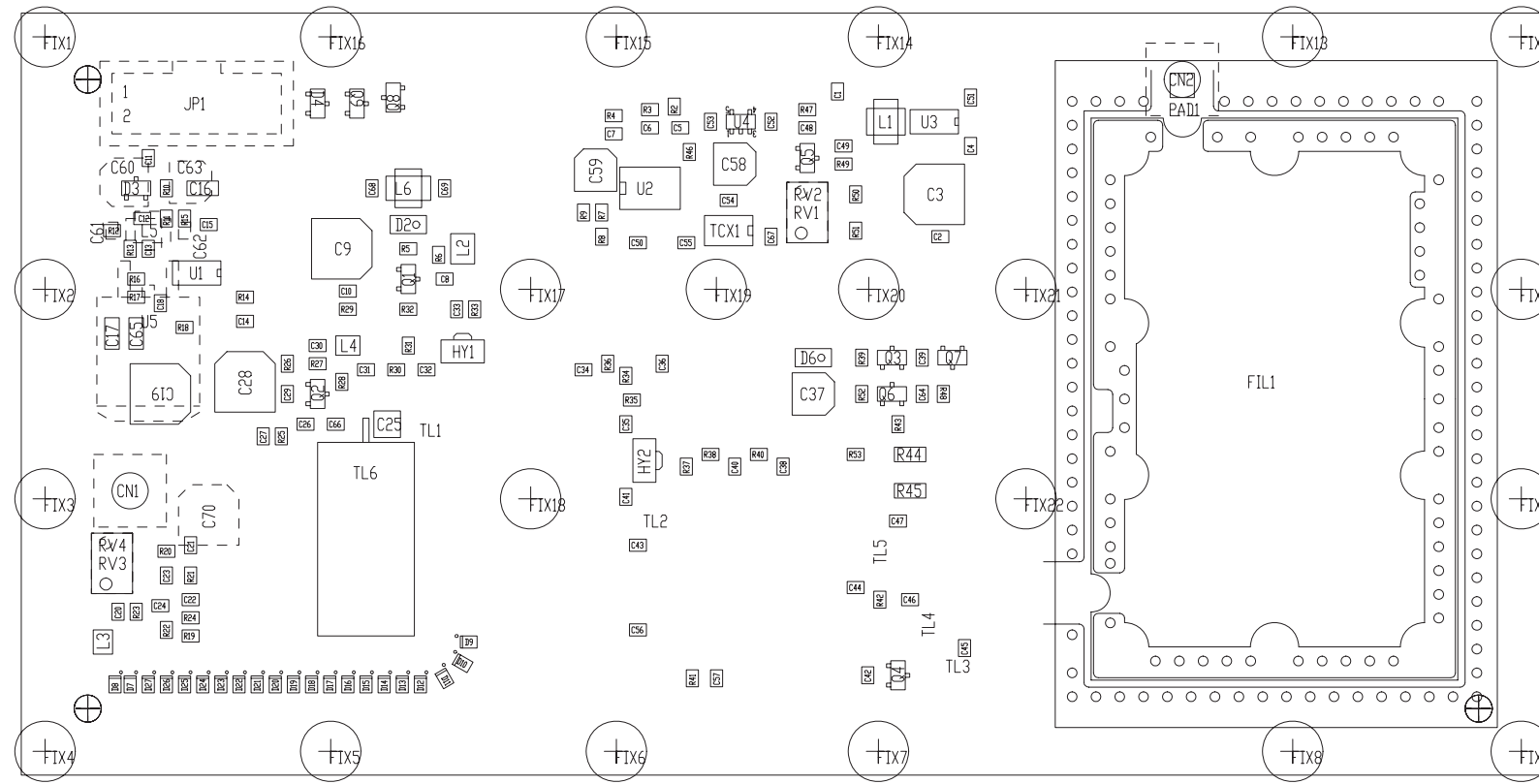
Scheda Main Revised: Thursday, November 26, 2009
 SL040MA2002 Revision: 1.2
 Scheda Main TEX-LCD e TX Ponte Eco Versione 1U
 040

Tommasi

Item	Quantity	Reference	Part	Description
1	2	CN1, CN8	NC	Connettore SMB cs
2	5	CN2, CN5, CN6, CN7, CN10	BNC IS90	Connettore BNC metallico 90°
3	2	CN3, CN4	XLRFC5	Connettore XLR femm. cs 90°
4	1	CN9	DB15FSO	Connettore DB15 femm. cs 90°
5	3	CN11, CN12, CN13	SMB_CS	Connettore SMB cs
6	1	CS1	CSMAINTX1U03	Circuito stampato
7	1	C1	10uF/35V	Cond. Elett. SMD d. 5mm
8	35	C2, C4, C5, C6, C7, C8, C11, C23, C24, C25, C29, C37, C41, C42, C43, C52, C70, C78, C83, C86, C87, C88, C89, C90, C92, C107, C130, C131, C132, C133, C134, C140, C141, C142, C166	0.1uF	Cond. SMD 0805
9	21	C3, C17, C18, C36, C39, C40, C44, C54, C62, C66, C68, C69, C71, C77, C82, C84, C91, C93, C167, C168, C172	10uF/16V	Cond. Elett. SMD d. 4mm
10	3	C9, C34, C60	47pF	Cond. SMD 0805
11	3	C10, C35, C55	15pF	Cond. SMD 0805
12	4	C12, C15, C33, C38	100uF/16V	Cond. Elett. SMD d. 6.3mm
13	16	C13, C14, C19, C20, C21, C22, C45, C46, C47, C48, C57, C58, C64, C65, C73, C74	27pF	Cond. SMD 0805
14	4	C16, C49, C137, C138	100pF	Cond. SMD 0805
15	2	C26, C28	1nF	Cond. SMD 0805 COG
16	3	C135, C136, C144	1nF	Cond. SMD 0805 COG
17	2	C27, C30	1.5nF	Cond. SMD 0805 COG
18	2	C31, C32	6-30pF	Comp. ceramico dia. 7mm
19	2	C50, C53	470nF	Cond. SMD 0805
20	3	C51, C67, C81	1uF	Cond. SMD 0805
21	7	C56, C63, C72, C139, C143, C145, C146	10nF	Cond. SMD 0805
22	35	C59, C61, C94, C98, C99, C101, C103, C104, C108, C109, C110, C111, C114, C115, C116, C118, C125, C126, C127, C128, C129, C147, C148, C152, C153, C154, C156, C157, C158, C160, C161, C162, C163, C164, C165	NC	Cond. SMD 0805
23	4	C75, C76, C79, C80	220uF/16V	Cond. Elett. SMD d. 6.3mm
24	4	C95, C96, C112, C119	NC	Cond. SMD 1206
25	11	C97, C100, C102, C105, C106, C117, C149, C150, C151, C155, C159	NC	Cond. Elett. SMD d. 4mm
26	5	C120, C121, C122, C123, C124	NC	Cond. Elett. SMD d. 6.3mm
27	2	C169, C170	NC	Comp. var. Murata TZB4A
28	1	DL1	NC	LED SMD 0805
29	1	DZ1	LM4040-10	Diodi Zener SMD SOT23
30	8	D1, D2, D3, D4, D5, D6, D8, D10	BAV99	Doppio Diode SMD SOT23
31	4	D7, D9, D11, D22	5V1	MINIMELF SMD Zener Diode
32	6	D12, D13, D17, D18, D20, D21	BAS32	MINIMELF SMD Diode
33	3	D14, D15, D16	NC	Doppio Diode SMD SOT23
34	1	D19	HSMS2804	Doppio Diode SMD SOT23
35	6	FIX1, FIX2, FIX3, FIX4, FIX5, FIX6	FIX35	Foro fissaggio 3.5mm
36	10	FIX7, FIX8, FIX9, FIX10, FIX11, FIX12, FIX13, FIX14, FIX15, FIX16	FIX22	Foro fissaggio 2.2mm
37	1	JP1	CN26PD	Connettore 26 poli Flat cs
38	1	JP2	NC	Strip maschio 4 pin
39	2	JP3, JP4	CN16PD	Connettore 16 poli Flat cs
40	3	JP5, JP8, JP18	NC	Strip femmina 10 pin
41	1	JP6	STM13S	Strip maschio 13 pin
42	1	JP7	STF14S	Strip femmina 14 pin
43	2	JP9, JP10	NC	Strip maschio 3 pin
44	1	JP11	JUM	Ponticello Jumper
45	1	JP12	STM03S	Strip maschio 3 pin
46	2	JP13, JP14	NC	Ponticello Jumper
47	1	JP15	JSM03	Pad SMD a saldare a 2 pos.
48	1	JP16	CN10PD	Connettore 10 poli Flat cs
49	1	JP17	STM02S	Strip maschio 2 pin
50	2	J1, J2	JSM0	Pad SMD a saldare
51	1	J3	GNDCC	Non e' un componente
52	2	J4, J5	JSMDC	Pad SMD a saldare chiuso
53	8	L1, L2, L3, L4, L5, L6, L7, L8	2u2	Induttanza SMD 3225 (1210)
54	2	L9, L10	NC	Induttanza SMD 3225 (1210) Schermata
55	3	L11, L12, L13	NC	Induttanza SMD 3225 (1210)
56	3	OPT1, OPT2, OPT3	P181	Optoisolatore SMD SO6
57	4	PAD1, PAD2, PAD3, PAD4	PAD	Pad a saldare 2.5x2.5 mm
58	4	Q1, Q2, Q4, Q5	BC857	Trans. PNP SOT23
59	4	Q3, Q6, Q8, Q9	BC847	Trans. NPN SOT23
60	1	Q7	2N7002	Trans. FET SOT23
61	5	Q10, Q13, Q14, Q15, Q16	NC	Trans. NPN SOT23
62	3	Q11, Q12, Q17	NC	Trans. FET SOT23
63	2	Q18, Q19	BCR135	Trans./Res. NPN SOT23
64	5	RV1, RV5, RV6, RV7, RV8	10K	Trimmer Rq H 3006
65	2	RV2, RV3	10K	Trimmer Rq V 3296W
66	1	RV4	50K	Trimmer Rq V 3296W
67	3	RV9, RV10, RV15	5K	Trimmer Rq V 3296W
68	1	RV11	NC	Trimmer Rq V 3296W
69	2	RV12, RV13	20K	Trimmer Rq H 3006
70	1	RV14	NC	Trimm. multi SMD PVG5 Murata
71	4	RY1, RY2, RY3, RY4	RLTQ2A 12V	Rele' TQ2

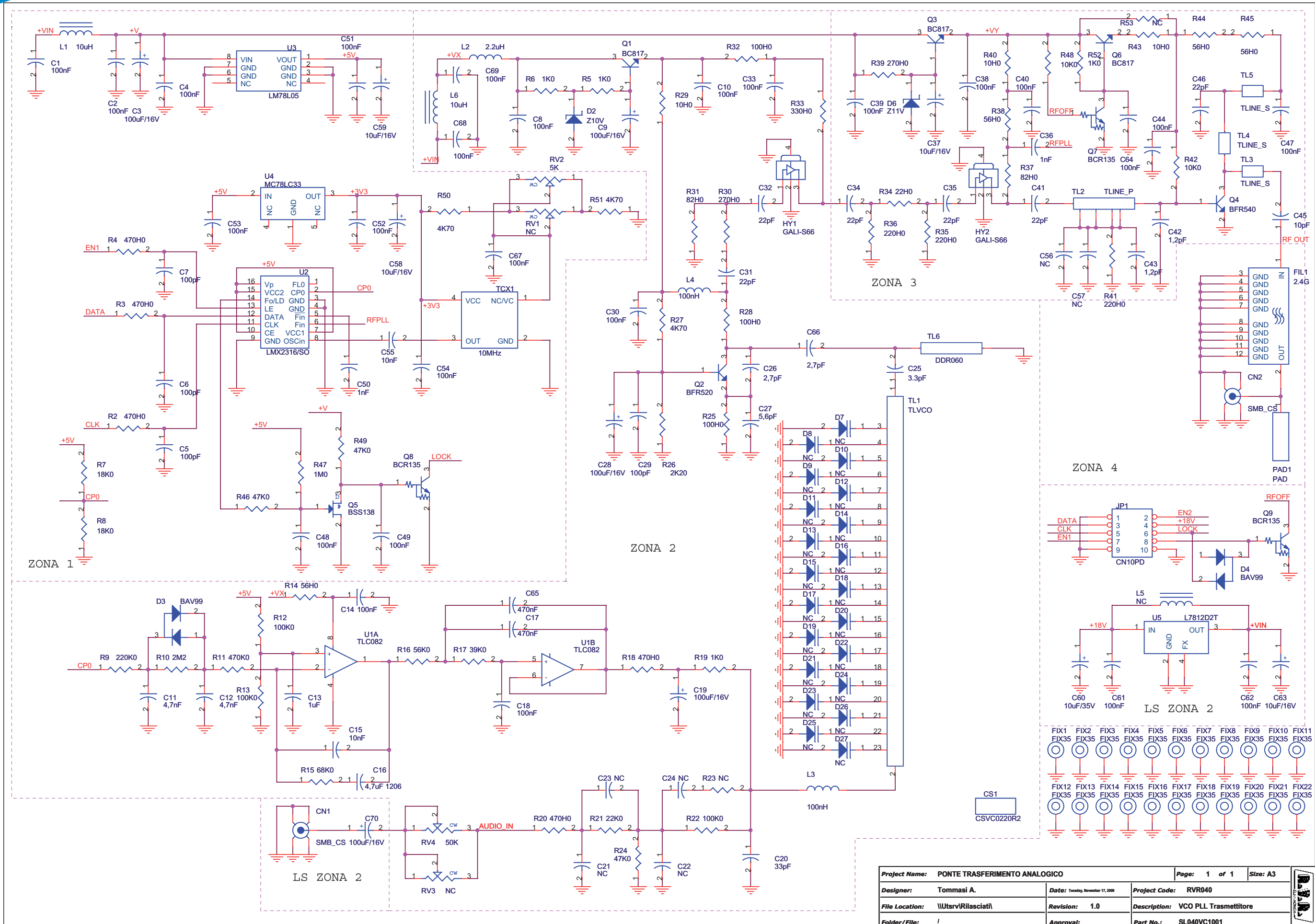
Item	Quantity	Reference	Part	Description
72	75	R1, R2, R10, R14, R95, R96, R97, R98, R99, R100, R101, R102, R103, R104, R105, R106, R107, R108, R109, R110, R111, R112, R113, R114, R115, R116, R117, R118, R120, R121, R122, R123, R124, R125, R126, R127, R128, R129, R130, R131, R132, R133, R134, R135, R136, R137, R138, R139, R157, R160, R161, R162, R163, R164, R165, R166, R167, R168, R169, R170, R171, R172, R173, R174, R175, R176, R177, R178, R179, R180, R181, R182, R183, R185, R190	NC	Res. SMD 0805 1%
73	1	R3	10K2	Res. SMD 0805 1%
74	1	R4	1K13	Res. SMD 0805 1%
75	5	R5, R34, R56, R63, R73	100H0	Res. SMD 0805 1%
76	4	R6, R15, R20, R26	10H0	Res. SMD 0805 1%
77	6	R7, R8, R25, R27, R45, R46	2K49	Res. SMD 0805 1%
78	4	R9, R11, R22, R23	1K20	Res. SMD 0805 1%
79	24	R12, R24, R32, R33, R38, R39, R43, R47, R49, R52, R53, R58, R59, R69, R75, R76, R77, R85, R88, R89, R91, R94, R187, R188	10K0	Res. SMD 0805 1%
80	2	R13, R28	48K7	Res. SMD 0805 1%
81	8	R16, R21, R42, R54, R62, R64, R71, R186	1K0	Res. SMD 0805 1%
82	11	R17, R29, R30, R31, R50, R51, R67, R68, R144, R151, R154	100K0	Res. SMD 0805 1%
83	5	R18, R19, R35, R36, R37	150H0	Res. SMD 0805 1%
84	3	R40, R60, R78	12K1	Res. SMD 0805 1%
85	3	R41, R61, R79	2K20	Res. SMD 0805 1%
86	1	R44	470K0	Res. SMD 0805 1%
87	1	R48	28K0	Res. SMD 0805 1%
88	1	R55	5K49	Res. SMD 0805 1%
89	2	R57, R70	49K9	Res. SMD 0805 1%
90	2	R65, R74	4K99	Res. SMD 0805 1%
91	2	R66, R81	15K0	Res. SMD 0805 1%
92	2	R72, R90	1M0	Res. SMD 0805 1%
93	1	R82	47H0	Res. SMD 0805 1%
94	1	R87	576H0	Res. SMD 0805 1%
95	8	R92, R93, R146, R147, R150, R152, R156, R158	4K70	Res. SMD 0805 1%
96	3	R119, R184, R191	0H0	Res. SMD 0805 1%
97	4	R140, R141, R142, R143	330H0	Res. SMD 0805 1%
98	4	R145, R153, R155, R159	22H0	Res. SMD 0805 1%
99	3	R148, R149, R189	1K80	Res. SMD 0805 1%
100	1	TCX1	NC	TCXO SMD
101	1	TCX2	NC	TCXO SMD 5x3.2mm
102	1	TCX3	NC	TCXO SMD 7x5.2mm
103	13	TP1, TP2, TP3, TP4, TP5, TP6, TP7, TP8, TP9, TP10, TP11, TP12, TP13	NC	Test point
104	1	U1	CD4094SMD	Shift Reg. SMD SO16
105	1	U2	NC	Stabilizzatore TO220
106	5	U3, U5, U8, U10, U13	TL072SMD	Dual Op. SMD SO8
107	1	U4	CD4066XSMD	Analog Switch SMD SO14
108	2	U6, U12	LM393SMD	Dual Comp. SMD SO8
109	2	U7, U11	LM358SMD	Dual Op. SMD SO8
110	1	U9	CD4053SMD	Analog Switch SMD SO16
111	1	U14	CD4070SMD	Quad. XOR port
112	1	U15	MC78LC33	Stab. SMD SOT23-5
113	1	U16	NC	Dual Op. SMD SO8
114	1	U17	NC	Integrated PLL
115	1	U19	LM324SMD	Quad Op. SMD SO14
116	1	U20	LM7815	Stabilizzatore SMD D2PAK
117	1	VCO1	NC	VCO SKY 8 pin FVC7MD
118	2	Y1, Y2	NC	Ibrido MAR/ERA

SL040VC1101



NOME PROGETTO: PONTE TRASFERIMENTO 1U	NOME PARTE: VCO/PLL
AUTORE: A. TOMMASI	DATA: 22/01/2009
ARCHIVIAZIONE ELETTRONICA: "CARTELLA RILASCIATI" SU "UTSRV"	REVISIONE: 1.0
MATERIALE: <>	SCALA: 1:1
TRATTAMENTO: <>	SIZE: A4
	PAGINA: 1 DI 1
	CODICE PROGETTO: 040
	CODICE DISEGNO: SL040VC1001
	STATO: ESECUTIVO
	PROFILO: <>

SL040VC1101



Project Name:	PONTE TRASFERIMENTO ANALOGICO	Page:	1 of 1	Size:	A3
Designer:	Tommasi A.	Date:	Tuesday, November 17, 2009	Project Code:	RVR040
File Location:	\\Utsrv\Rilasciat\	Revision:	1.0	Description:	VCO PLL Trasmettitore
Folder/File:	/	Approval:		Part No.:	SL040VC1001

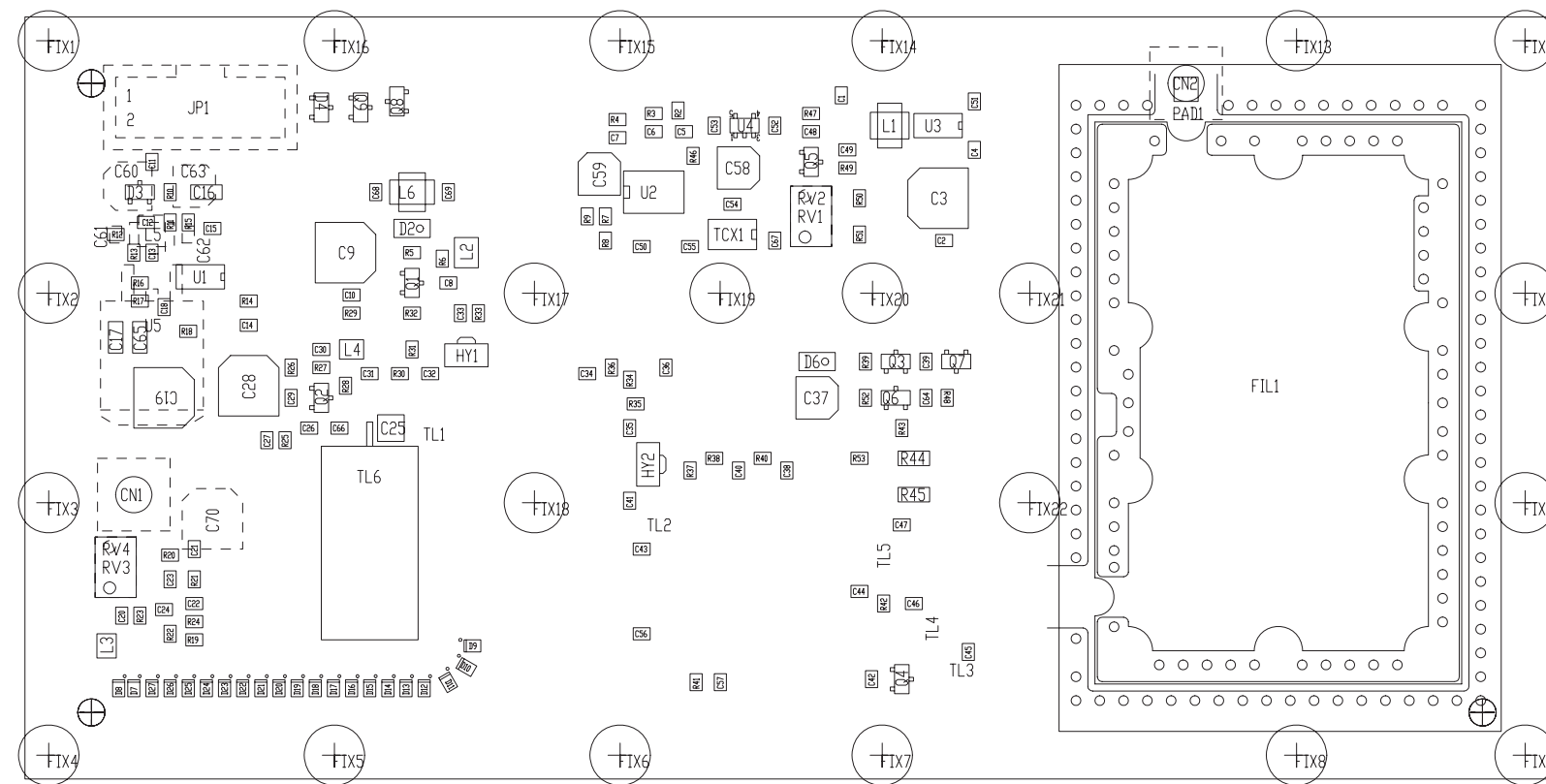
SL040VC1101

VCO PLL Trasmittitore Revised: 20/05/2010
SL040VC1101 Revision: 1.0

PONTE TRASFERIMENTO ANALOGICO
RVR040

Item	Quantity	Reference	Part	Description	Code
1	2	CN1,CN2	SMB_CS	Connettore SMB cs	CNTSMBMCSD
2	1	CS1	CSVC0220R2	Circuito stampato	CSVC0220R2
3	26	C1,C2,C4,C8,C10,C14,C18,C30,C33,C38,C39,C40,C44,C47,C48,C49,C51,C52,C53,C54,C61,C62,C64,C67,C68,C69	100nF	Cond. SMD 0805	CCC085104KXC
4	5	C3,C9,C19,C28,C70	100uF/16V	Cond. Elett. SMD d. 6.3mm	CES107C160
5	4	C5,C6,C7,C29	100pF	Cond. SMD 0805	CCC085101JCC
6	2	C11,C12	4,7nF	Cond. SMD 0805	CCC085472KXC
7	1	C13	1uF	Cond. SMD 0805	CCC085105KXC
8	2	C15,C55	10nF	Cond. SMD 0805	CCC085103KXC
9	1	C16	4,7uF 1206	Cond. SMD 1206	CCC126475KXA
10	2	C17,C65	470nF	Cond. SMD 1206	CCC085474KXB
11	1	C20	33pF	Cond. SMD 0805	CCC085330JCC
12	6	C21,C22,C23,C24,C56,C57	NC	Cond. SMD 0805	
13	1	C25	3.3pF	Cond. SMD 1212 HQ	CHQ3P3CA501
14	2	C26,C66	2,7pF	Cond. SMD 0805	CCC0852P7JCC
15	1	C27	5,6pF	Cond. SMD 0805	CCC0855P6JCC
16	6	C31,C32,C34,C35,C41,C46	22pF	Cond. SMD 0805	CCC085220JCC
17	2	C36,C50	1nF	Cond. SMD 0805	CCC085102JNC
18	4	C37,C58,C59,C63	10uF/16V	Cond. Elett. SMD d. 4mm	CES106A160
19	2	C42,C43	1,2pF	Cond. SMD 0805	CCC0851P2JCC
20	1	C45	10pF	Cond. SMD 0805	CCC085100JCC
21	1	C60	10uF/35V	Cond. Elett. SMD d. 5mm	CES106B500
22	1	D2	Z10V	MINIMELF SMD Zener Diode	DIZ10VMINI
23	2	D3,D4	BAV99	Doppio Diodo SMD SOT23	DISBAV99
24	1	D6	Z11V	MINIMELF SMD Zener Diode	DIZ11VMINI
25	21	D7,D8,D9,D10,D11,D12,D13,D14,D15,D16,D17,D18,D19,D20,D21,D22,D23,D24,D25,D26,D27	NC	Diodo varicap SOD323	
26	1	FIL1	2.4G	Stripline band pass filter	
27	22	FIX1, FIX2, FIX3, FIX4, FIX5, FIX6, FIX7, FIX8, FIX9, FIX10, FIX11, FIX12, FIX13, FIX14, FIX15, FIX16, FIX17, FIX18, FIX19, FIX20, FIX21, FIX22	FIX35	Foro fissaggio 3.5mm	
28	2	HY1, HY2	GALI-S66	RF HIBRYD AMPLIFIER	MIBGALIS66
29	1	JP1	CN10PD	Connettore 10 poli Flat cs	CNTMCS10A
30	2	L1, L6	10uH	Ind. verticale SMD dia. 4 p 4.8	IMP10USMS50
31	1	L2	2.2uH	Induttanza SMD 3225 (1210)	IMP2U2S120
32	2	L3, L4	100nH	Induttanza SMD 2520 (1008)	IMP100NS108
33	1	L5	NC	Ind. verticale SMD dia. 4 p 4.8	
34	1	PAD1	PAD	Pad a saldare 2.5x2.5 mm	
35	3	Q1, Q3, Q6	BC817	Trans. NPN SOT23	TRNBC817
36	1	Q2	BFR520	Trans. NPN SOT23	TRNBFR520
37	1	Q4	BFR540	Trans. NPN SOT23	TRNBFR540
38	1	Q5	BSS138	Trans. FET SOT23	TRNBSS138
39	3	Q7, Q8, Q9	BCR135	Trans./Res. NPN SOT23	TRNBCR135
40	2	RV1, RV3	NC	Trimmer Rg V 3269W SMD	
41	1	RV2	5K	Trimmer Rg V 3269W SMD	RVT3269WK005
42	1	RV4	50K	Trimmer Rg V 3269W SMD	RVT3269WK050
43	5	R2, R3, R4, R18, R20	470H0	Res. SMD 0805 1%	RCH085F0470H

44	4	R5, R6, R19, R52	1K0	Res. SMD 0805 1%	RCH085F0001K
45	2	R7, R8	18K0	Res. SMD 0805 1%	RCH085F0018K
46	1	R9	220K0	Res. SMD 0805 1%	RCH085F0220K
47	1	R10	2M2	Res. SMD 0805 1%	RCH085F002M2
48	1	R11	470K0	Res. SMD 0805 1%	RCH085F0470K
49	3	R12, R13, R22	100K0	Res. SMD 0805 1%	RCH085F0100K
50	2	R14, R38	56H0	Res. SMD 0805 1%	RCH085F0056H
51	1	R15	68K0	Res. SMD 0805 1%	RCH085F0068K
52	1	R16	56K0	Res. SMD 0805 1%	RCH085F0056K
53	1	R17	39K0	Res. SMD 0805 1%	RCH085F0039K
54	1	R21	22K0	Res. SMD 0805 1%	RCH085F0022K
55	2	R23, R53	NC	Res. SMD 0805 1%	
56	3	R24, R46, R49	47K0	Res. SMD 0805 1%	RCH085F0047K
57	3	R25, R28, R32	100H0	Res. SMD 0805 1%	RCH085F0100H
58	1	R26	2K20	Res. SMD 0805 1%	RCH085F002K2
59	3	R27, R50, R51	4K70	Res. SMD 0805 1%	RCH085F004K7
60	3	R29, R40, R43	10H0	Res. SMD 0805 1%	RCH085F0010H
61	2	R30, R39	270H0	Res. SMD 0805 1%	RCH085F0270H
62	2	R31, R37	82H0	Res. SMD 0805 1%	RCH085F0082H
63	1	R33	330H0	Res. SMD 0805 1%	RCH085F0330H
64	1	R34	22H0	Res. SMD 0805 1%	RCH085F0022H
65	3	R35, R36, R41	220H0	Res. SMD 0805 1%	RCH085F0220H
66	2	R42, R48	10K0	Res. SMD 0805 1%	RCH085F0010K
67	2	R44, R45	56H0	Res. SMD 1206	RCH126F0056H
68	1	R47	1M0	Res. SMD 0805 1%	RCH085F0001M
69	1	TCX1	10MHz	TCXO SMD 5x3.2mm	QRZ000010MMV
70	1	TL1	TLVCO	Linea strip VCO	
71	1	TL2	TLINE_P	Linea strip CS	
72	3	TL3, TL4, TL5	TLINE_S	Linea strip CS	
73	1	TL6	DDR060	Linea strip CS	RIS753MHZ
74	1	U1	TLC082	Dual Op. SMD SO8	CILTLC082
75	1	U2	LMX2316/SO	Integrated PLL	CIDLMX2316
76	1	U3	LM78L05	Stabilizzatore SMD SO8	CIL78L05SMD
77	1	U4	MC78LC33	Stab. SMD SOT23-5	CILMC78LC33
78	1	U5	L7812D2T	Stabilizzatore SMD D2PAK	CIL7812D2T



NOME PROGETTO: PONTE TRASFERIMENTO 1U

NOME PARTE: VCO/PLL

AUTORE: A. TOMMASI

DATA: 22/01/2009 REVISIONE: 1.0 SCALA: 1:1 SIZE: A4 PAGINA: 1 DI 1

ARCHIVIAZIONE ELETTRONICA: "CARTELLA RILASCIATI" SU "UTSRV"

CODICE PROGETTO: 040 CODICE DISEGNO: SL040VC1001

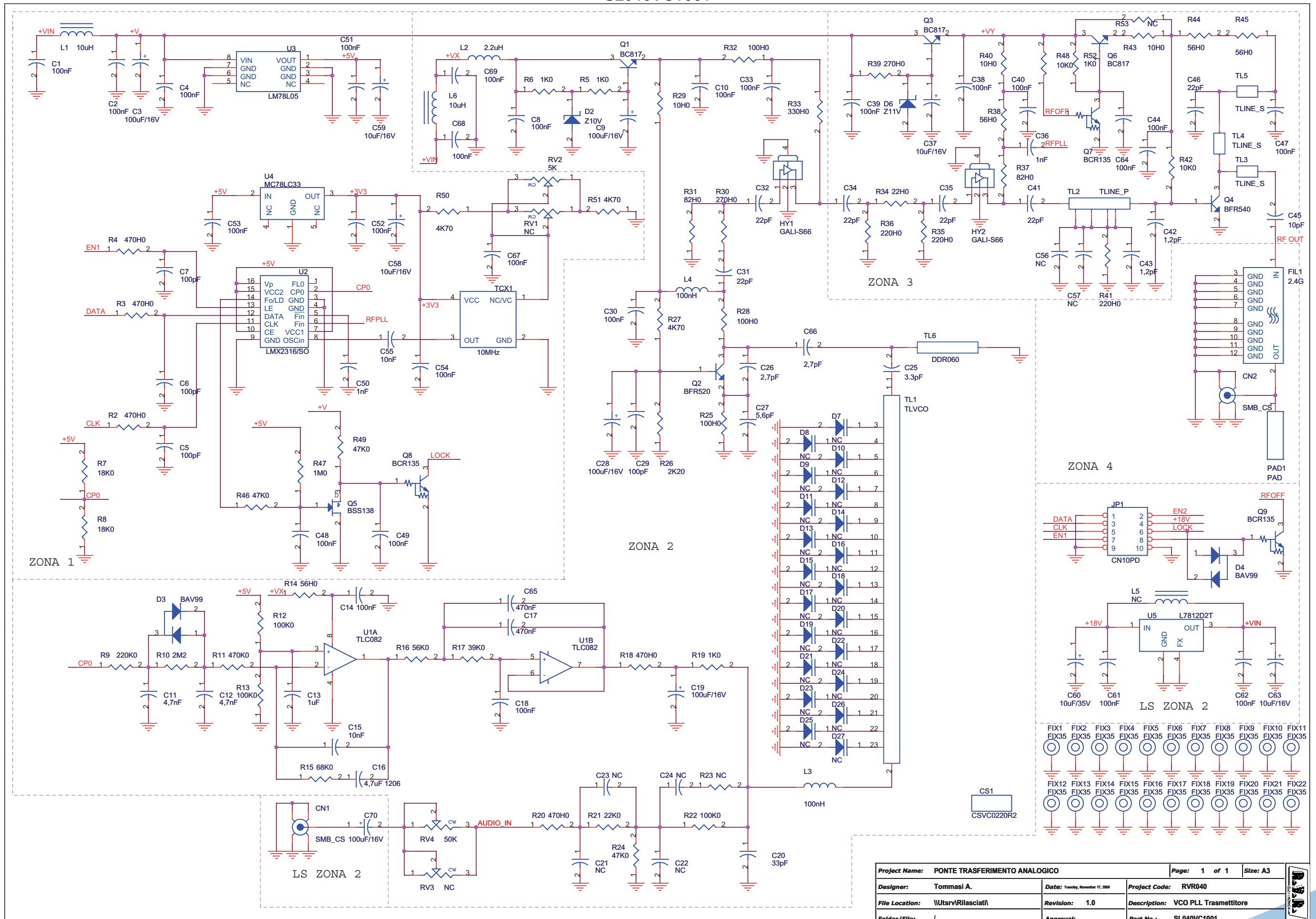
MATERIALE: <>

TRATTAMENTO: <>

PROFILO: <>

STATO: ESECUTIVO

SL040VC1001



Project Name:	PONTE TRASFERIMENTO ANALOGICO	Page:	1 of 1	Size:	A3
Designer:	Tommasi A.	Date:	Tuesday, November 17, 2009	Project Code:	RVR040
File Location:	\\Utsrv\Rilasciat\	Revision:	1.0	Description:	VCO PLL Trasmettitore
Folder/File:	/	Approval:		Part No.:	SL040VC1001

SL040VC1001

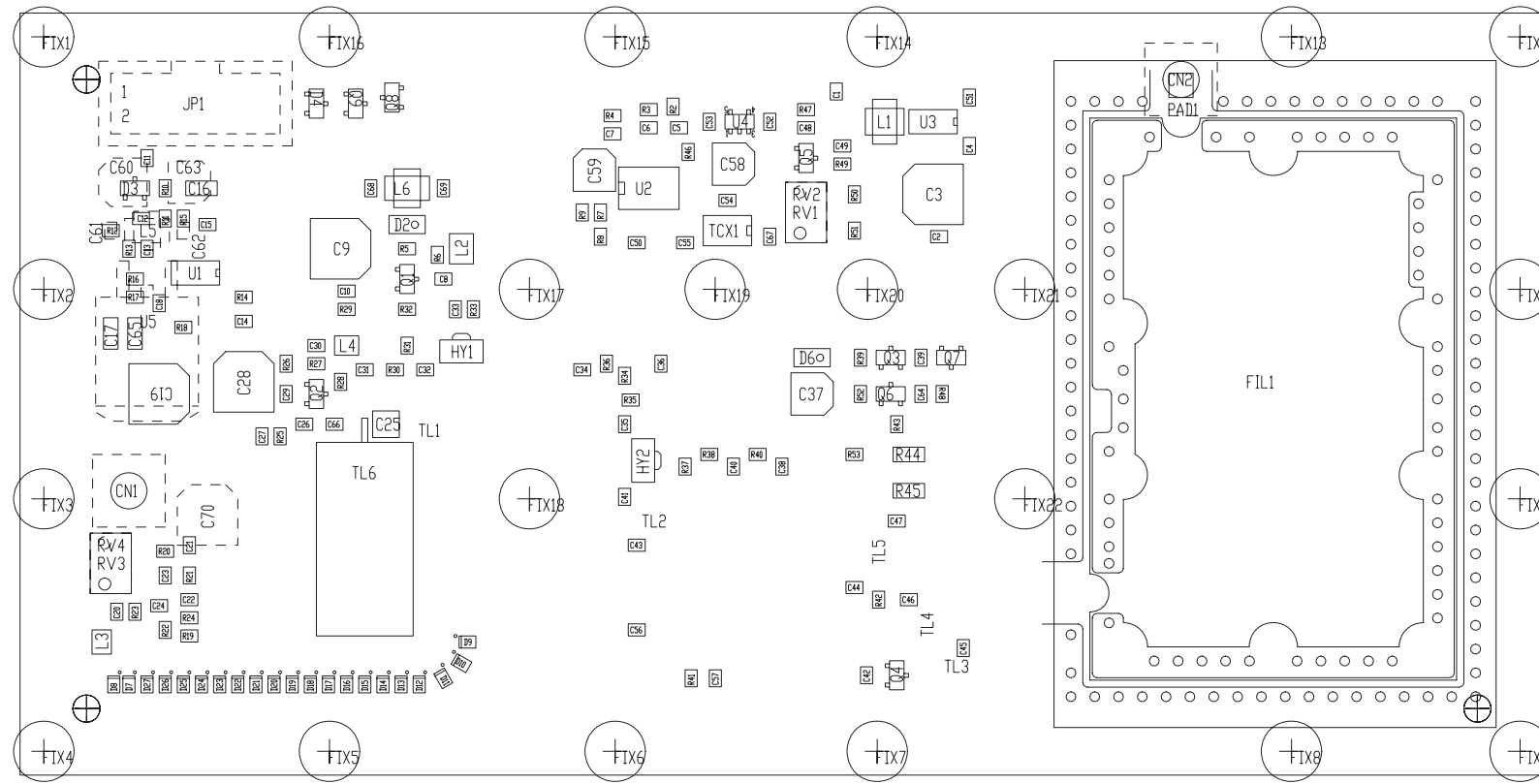
VCO PLL Trasmittitore Revised: Tuesday, November 17, 2009
SL040VC1001 Revision: 1.0

PONTE TRASFERIMENTO ANALOGICO
RVR040

Item	Quantity	Reference	Part	Description	Code
1	2	CN1,CN2	SMB_CS	Connettore SMB cs	CNTSMBMCSD
2	1	CS1	CSVC0220R2	Circuito stampato	CSVC0220R2
3	26	C1,C2,C4,C8,C10,C14,C18,C30,C33,C38,C39,C40,C44,C47,C48,C49,C51,C52,C53,C54,C61,C62,C64,C67,C68,C69	100nF	Cond. SMD 0805	CCC085104KXC
4	5	C3,C9,C19,C28,C70	100uF/16V	Cond. Elett. SMD d. 6.3mm	CES107C160
5	4	C5,C6,C7,C29	100pF	Cond. SMD 0805	CCC085101JCC
6	2	C11,C12	4,7nF	Cond. SMD 0805	CCC085472KXC
7	1	C13	1uF	Cond. SMD 0805	CCC085105KXC
8	2	C15,C55	10nF	Cond. SMD 0805	CCC085103KXC
9	1	C16	4,7uF 1206	Cond. SMD 1206	CCC126475KXA
10	2	C17,C65	470nF	Cond. SMD 1206	CCC085474KXB
11	1	C20	33pF	Cond. SMD 0805	CCC085330JCC
12	6	C21,C22,C23,C24,C56,C57	NC	Cond. SMD 0805	
13	1	C25	3.3pF	Cond. SMD 1212 HQ	CHQ3P3CA501
14	2	C26,C66	2,7pF	Cond. SMD 0805	CCC0852P7JCC
15	1	C27	5,6pF	Cond. SMD 0805	CCC0855P6JCC
16	6	C31,C32,C34,C35,C41,C46	22pF	Cond. SMD 0805	CCC085220JCC
17	2	C36,C50	1nF	Cond. SMD 0805	CCC085102JNC
18	4	C37,C58,C59,C63	10uF/16V	Cond. Elett. SMD d. 4mm	CES106A160
19	2	C42,C43	1,2pF	Cond. SMD 0805	CCC0851P2JCC
20	1	C45	10pF	Cond. SMD 0805	CCC085100JCC
21	1	C60	10uF/35V	Cond. Elett. SMD d. 5mm	CES106B500
22	1	D2	Z10V	MINIMELF SMD Zener Diode	DIZ10VMINI
23	2	D3,D4	BAV99	Doppio Diodo SMD SOT23	DISBAV99
24	1	D6	Z11V	MINIMELF SMD Zener Diode	DIZ11VMINI
25	21	D7,D8,D9,D10,D11,D12,D13,D14,D15,D16,D17,D18,D19,D20,D21,D22,D23,D24,D25,D26,D27	NC	Diodo varicap SOD323	
26	1	FIL1	2.4G	Stripline band pass filter	
27	22	FIX1, FIX2, FIX3, FIX4, FIX5, FIX6, FIX7, FIX8, FIX9, FIX10, FIX11, FIX12, FIX13, FIX14, FIX15, FIX16, FIX17, FIX18, FIX19, FIX20, FIX21, FIX22	FIX35	Foro fissaggio 3.5mm	
28	2	HY1, HY2	GALI-S66	RF HIBRYD AMPLIFIER	MIBGALIS66
29	1	JP1	CN10PD	Connettore 10 poli Flat cs	CNTMCS10A
30	2	L1,L6	10uH	Ind. verticale SMD dia. 4 p 4.8	IMP10USMS50
31	1	L2	2.2uH	Induttanza SMD 3225 (1210)	IMP2U2S120
32	2	L3,L4	100nH	Induttanza SMD 2520 (1008)	IMP100NS108
33	1	L5	NC	Ind. verticale SMD dia. 4 p 4.8	
34	1	PAD1	PAD	Pad a saldare 2.5x2.5 mm	
35	3	Q1,Q3,Q6	BC817	Trans. NPN SOT23	TRNBC817
36	1	Q2	BFR520	Trans. NPN SOT23	TRNBFR520
37	1	Q4	BFR540	Trans. NPN SOT23	TRNBFR540
38	1	Q5	BSS138	Trans. FET SOT23	TRNBSS138
39	3	Q7,Q8,Q9	BCR135	Trans./Res. NPN SOT23	TRNBCR135
40	2	RV1,RV3	NC	Trimmer Rg V 3269W SMD	
41	1	RV2	5K	Trimmer Rg V 3269W SMD	RVT3269WK005
42	1	RV4	50K	Trimmer Rg V 3269W SMD	RVT3269WK050
43	5	R2,R3,R4,R18,R20	470H0	Res. SMD 0805 1%	RCH085F0470H

44	4	R5,R6,R19,R52	1K0	Res. SMD 0805 1%	RCH085F0001K
45	2	R7,R8	18K0	Res. SMD 0805 1%	RCH085F0018K
46	1	R9	220K0	Res. SMD 0805 1%	RCH085F0220K
47	1	R10	2M2	Res. SMD 0805 1%	RCH085F002M2
48	1	R11	470K0	Res. SMD 0805 1%	RCH085F0470K
49	3	R12,R13,R22	100K0	Res. SMD 0805 1%	RCH085F0100K
50	2	R14,R38	56H0	Res. SMD 0805 1%	RCH085F0056H
51	1	R15	68K0	Res. SMD 0805 1%	RCH085F0068K
52	1	R16	56K0	Res. SMD 0805 1%	RCH085F0056K
53	1	R17	39K0	Res. SMD 0805 1%	RCH085F0039K
54	1	R21	22K0	Res. SMD 0805 1%	RCH085F0022K
55	2	R23,R53	NC	Res. SMD 0805 1%	
56	3	R24,R46,R49	47K0	Res. SMD 0805 1%	RCH085F0047K
57	3	R25,R28,R32	100H0	Res. SMD 0805 1%	RCH085F0100H
58	1	R26	2K20	Res. SMD 0805 1%	RCH085F002K2
59	3	R27,R50,R51	4K70	Res. SMD 0805 1%	RCH085F004K7
60	3	R29,R40,R43	10H0	Res. SMD 0805 1%	RCH085F0010H
61	2	R30,R39	270H0	Res. SMD 0805 1%	RCH085F0270H
62	2	R31,R37	82H0	Res. SMD 0805 1%	RCH085F0082H
63	1	R33	330H0	Res. SMD 0805 1%	RCH085F0330H
64	1	R34	22H0	Res. SMD 0805 1%	RCH085F0022H
65	3	R35,R36,R41	220H0	Res. SMD 0805 1%	RCH085F0220H
66	2	R42,R48	10K0	Res. SMD 0805 1%	RCH085F0010K
67	2	R44,R45	56H0	Res. SMD 1206	RCH126F0056H
68	1	R47	1M0	Res. SMD 0805 1%	RCH085F0001M
69	1	TCX1	10MHz	TCXO SMD 5x3.2mm	QRZ000010MMV
70	1	TL1	TLVCO	Linea strip VCO	
71	1	TL2	TLINE_P	Linea strip CS	
72	3	TL3,TL4,TL5	TLINE_S	Linea strip CS	
73	1	TL6	DDR060	Linea strip CS	RIS800MHZ
74	1	U1	TLC082	Dual Op. SMD SO8	CILTLC082
75	1	U2	LMX2316/SO	Integrated PLL	CIDLX2316
76	1	U3	LM78L05	Stabilizzatore SMD SO8	CIL78L05SMD
77	1	U4	MC78LC33	Stab. SMD SOT23-5	CILMC78LC33
78	1	U5	L7812D2T	Stabilizzatore SMD D2PAK	CIL7812D2T

SL040VC1301



NOME PARTE: VCO/PLL

NOME PROGETTO: PONTE TRASFERIMENTO 1U

AUTORE: A. TOMMASI

DATA: 22/01/2009 REVISIONE: 1.0 SCALA: 1:1 SIZE: A4 PAGINA: 1 DI 1

ARCHIVIAZIONE ELETTRONICA: "CARTELLA RILASCIATI" SU "UTSRV"

CODICE PROGETTO: 040 CODICE DISEGNO: SL040VC1001

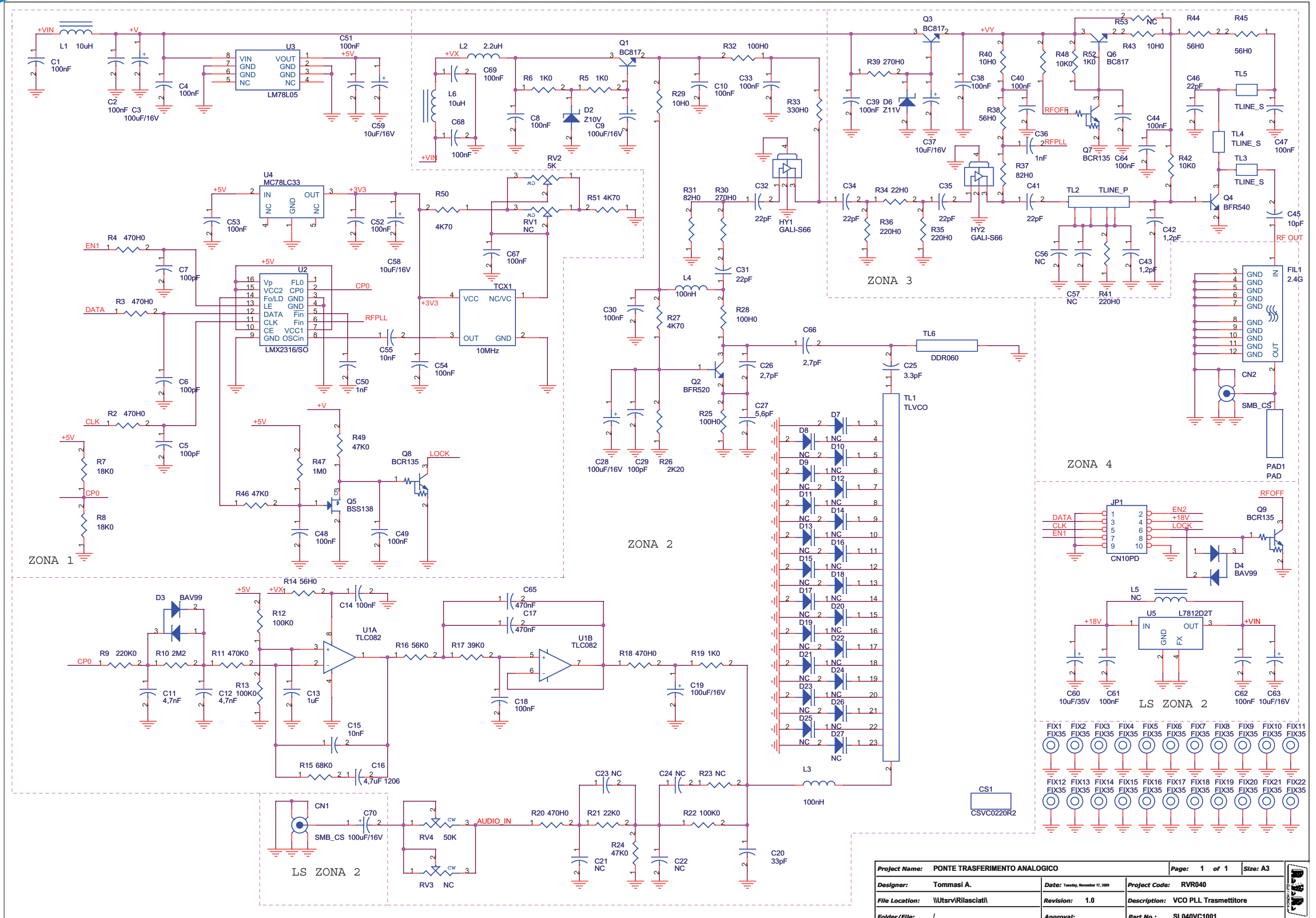
MATERIALE: <>

TRATTAMENTO: <>

PROFILO: <>

STATO: ESECUTIVO

SL040VC1301



Project Name: PONTE TRASFERIMENTO ANALOGICO		Page: 1 of 1	Size: A3
Designer: Tommasi A.	Date: Tuesday, November 17, 2009	Project Code: RVR040	
File Location: \\Utsrv\Irlasciat\	Revision: 1.0	Description: VCO PLL Trasmettitore	
Folder/File: /	Approval:	Part No.: SL040VC1001	

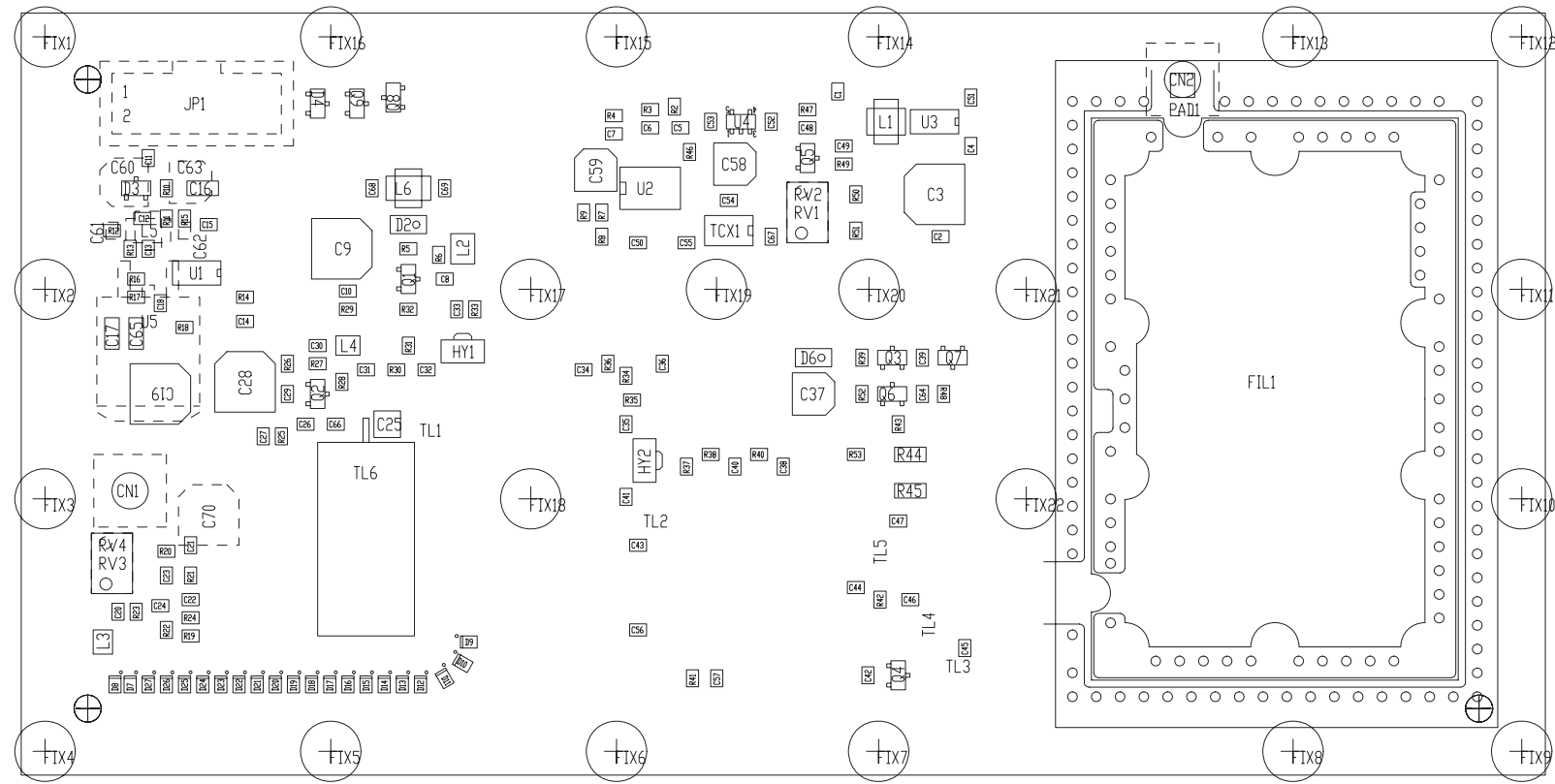
SL040VC1301

VCO PLL Trasmittitore Revised: 21/05/2010
SL040VC1301 Revision: 1.0

PONTE TRASFERIMENTO ANALOGICO
RVR040

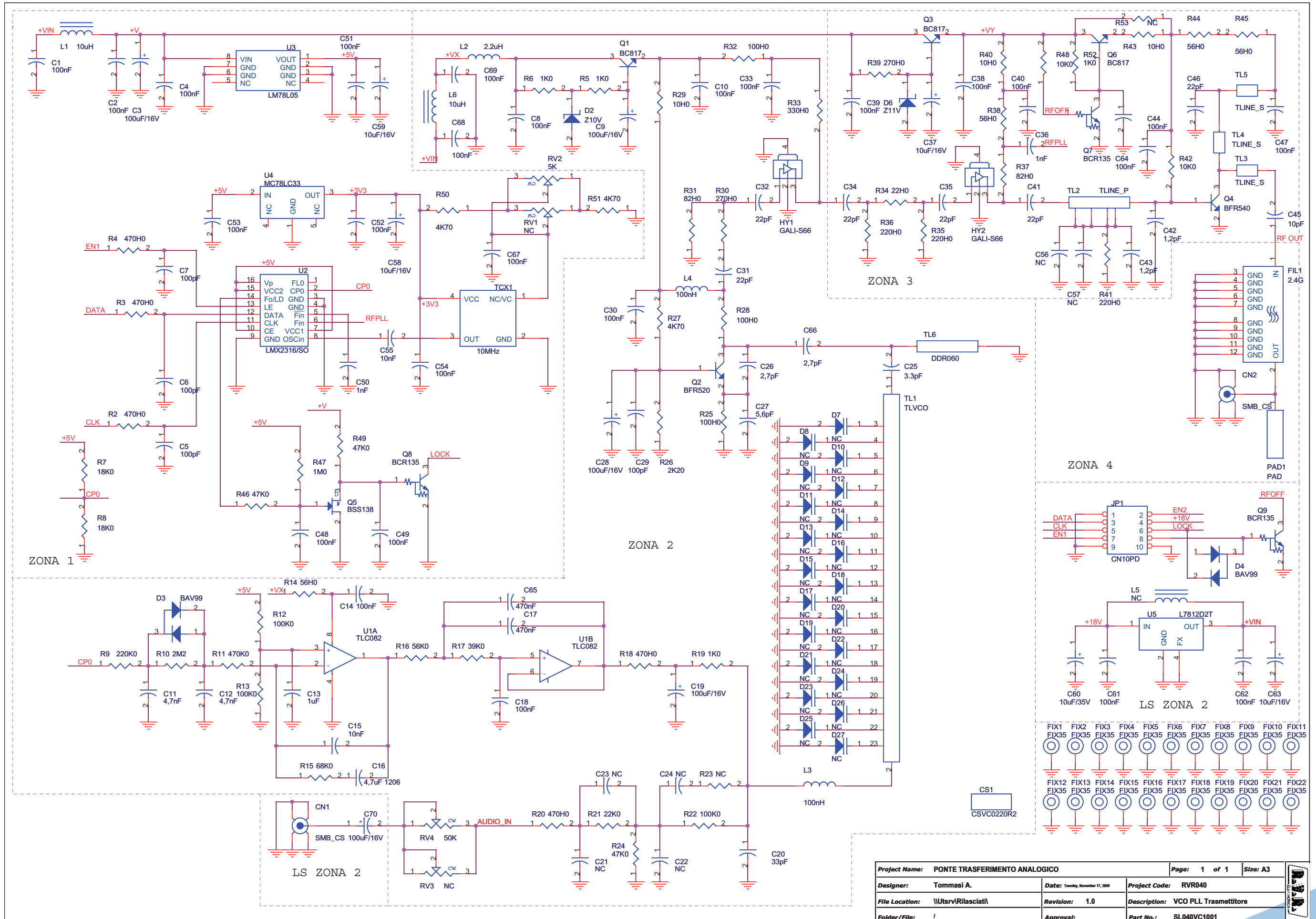
Item	Quantity	Reference	Part	Description	Code
1	2	CN1,CN2	SMB_CS	Connettore SMB cs	CNTSMBMCSD
2	1	CS1	CSVC0220R2	Circuito stampato	CSVC0220R2
3	26	C1,C2,C4,C8,C10,C14,C18,C30,C33,C38,C39,C40,C44,C47,C48,C49,C51,C52,C53,C54,C61,C62,C64,C67,C68,C69	100nF	Cond. SMD 0805	CCC085104KXC
4	5	C3,C9,C19,C28,C70	100uF/16V	Cond. Elett. SMD d. 6.3mm	CES107C160
5	4	C5,C6,C7,C29	100pF	Cond. SMD 0805	CCC085101JCC
6	2	C11,C12	4,7nF	Cond. SMD 0805	CCC085472KXC
7	1	C13	1uF	Cond. SMD 0805	CCC085105KXC
8	2	C15,C55	10nF	Cond. SMD 0805	CCC085103KXC
9	1	C16	4,7uF 1206	Cond. SMD 1206	CCC126475KXA
10	2	C17,C65	470nF	Cond. SMD 1206	CCC085474KXB
11	1	C20	33pF	Cond. SMD 0805	CCC085330JCC
12	6	C21,C22,C23,C24,C56,C57	NC	Cond. SMD 0805	
13	1	C25	3.3pF	Cond. SMD 1212 HQ	CHQ3P3CA501
14	2	C26,C66	2,7pF	Cond. SMD 0805	CCC0852P7JCC
15	1	C27	5,6pF	Cond. SMD 0805	CCC0855P6JCC
16	6	C31,C32,C34,C35,C41,C46	22pF	Cond. SMD 0805	CCC085220JCC
17	2	C36,C50	1nF	Cond. SMD 0805	CCC085102JNC
18	4	C37,C58,C59,C63	10uF/16V	Cond. Elett. SMD d. 4mm	CES106A160
19	2	C42,C43	1,2pF	Cond. SMD 0805	CCC0851P2JCC
20	1	C45	10pF	Cond. SMD 0805	CCC085100JCC
21	1	C60	10uF/35V	Cond. Elett. SMD d. 5mm	CES106B500
22	1	D2	Z10V	MINIMELF SMD Zener Diode	DIZ10VMINI
23	2	D3,D4	BAV99	Doppio Diodo SMD SOT23	DISBAV99
24	1	D6	Z11V	MINIMELF SMD Zener Diode	DIZ11VMINI
25	21	D7,D8,D9,D10,D11,D12,D13,D14,D15,D16,D17,D18,D19,D20,D21,D22,D23,D24,D25,D26,D27	NC	Diodo varicap SOD323	
26	1	FIL1	2.4G	Stripline band pass filter	
27	22	FIX1, FIX2, FIX3, FIX4, FIX5, FIX6, FIX7, FIX8, FIX9, FIX10, FIX11, FIX12, FIX13, FIX14, FIX15, FIX16, FIX17, FIX18, FIX19, FIX20, FIX21, FIX22	FIX35	Foro fissaggio 3.5mm	
28	2	HY1, HY2	GALI-S66	RF HIBRYD AMPLIFIER	MIBGALIS66
29	1	JP1	CN10PD	Connettore 10 poli Flat cs	CNTMCS10A
30	2	L1, L6	10uH	Ind. verticale SMD dia. 4 p 4.8	IMP10USMS50
31	1	L2	2.2uH	Induttanza SMD 3225 (1210)	IMP2U2S120
32	2	L3, L4	100nH	Induttanza SMD 2520 (1008)	IMP100NS108
33	1	L5	NC	Ind. verticale SMD dia. 4 p 4.8	
34	1	PAD1	PAD	Pad a saldare 2.5x2.5 mm	
35	3	Q1, Q3, Q6	BC817	Trans. NPN SOT23	TRNBC817
36	1	Q2	BFR520	Trans. NPN SOT23	TRNBFR520
37	1	Q4	BFR540	Trans. NPN SOT23	TRNBFR540
38	1	Q5	BSS138	Trans. FET SOT23	TRNBSS138
39	3	Q7, Q8, Q9	BCR135	Trans./Res. NPN SOT23	TRNBCR135
40	2	RV1, RV3	NC	Trimmer Rg V 3269W SMD	
41	1	RV2	5K	Trimmer Rg V 3269W SMD	RVT3269WK005
42	1	RV4	50K	Trimmer Rg V 3269W SMD	RVT3269WK050
43	5	R2, R3, R4, R18, R20	470H0	Res. SMD 0805 1%	RCH085F0470H

44	4	R5, R6, R19, R52	1K0	Res. SMD 0805 1%	RCH085F0001K
45	2	R7, R8	18K0	Res. SMD 0805 1%	RCH085F0018K
46	1	R9	220K0	Res. SMD 0805 1%	RCH085F0220K
47	1	R10	2M2	Res. SMD 0805 1%	RCH085F002M2
48	1	R11	470K0	Res. SMD 0805 1%	RCH085F0470K
49	3	R12, R13, R22	100K0	Res. SMD 0805 1%	RCH085F0100K
50	2	R14, R38	56H0	Res. SMD 0805 1%	RCH085F0056H
51	1	R15	68K0	Res. SMD 0805 1%	RCH085F0068K
52	1	R16	56K0	Res. SMD 0805 1%	RCH085F0056K
53	1	R17	39K0	Res. SMD 0805 1%	RCH085F0039K
54	1	R21	22K0	Res. SMD 0805 1%	RCH085F0022K
55	2	R23, R53	NC	Res. SMD 0805 1%	
56	3	R24, R46, R49	47K0	Res. SMD 0805 1%	RCH085F0047K
57	3	R25, R28, R32	100H0	Res. SMD 0805 1%	RCH085F0100H
58	1	R26	2K20	Res. SMD 0805 1%	RCH085F002K2
59	3	R27, R50, R51	4K70	Res. SMD 0805 1%	RCH085F004K7
60	3	R29, R40, R43	10H0	Res. SMD 0805 1%	RCH085F0010H
61	2	R30, R39	270H0	Res. SMD 0805 1%	RCH085F0270H
62	2	R31, R37	82H0	Res. SMD 0805 1%	RCH085F0082H
63	1	R33	330H0	Res. SMD 0805 1%	RCH085F0330H
64	1	R34	22H0	Res. SMD 0805 1%	RCH085F0022H
65	3	R35, R36, R41	220H0	Res. SMD 0805 1%	RCH085F0220H
66	2	R42, R48	10K0	Res. SMD 0805 1%	RCH085F0010K
67	2	R44, R45	56H0	Res. SMD 1206	RCH126F0056H
68	1	R47	1M0	Res. SMD 0805 1%	RCH085F0001M
69	1	TCX1	10MHz	TCXO SMD 5x3.2mm	QRZ000010MMV
70	1	TL1	TLVCO	Linea strip VCO	
71	1	TL2	TLINE_P	Linea strip CS	
72	3	TL3, TL4, TL5	TLINE_S	Linea strip CS	
73	1	TL6	DDR060	Linea strip CS	RIS850MHZ
74	1	U1	TLC082	Dual Op. SMD SO8	CILTLC082
75	1	U2	LMX2316/SO	Integrated PLL	CIDLX2316
76	1	U3	LM78L05	Stabilizzatore SMD SO8	CIL78L05SMD
77	1	U4	MC78LC33	Stab. SMD SOT23-5	CILMC78LC33
78	1	U5	L7812D2T	Stabilizzatore SMD D2PAK	CIL7812D2T



NOME PROGETTO: PONTE TRASFERIMENTO 1U	NOME PARTE: VCO/PLL
AUTORE: A. TOMMASI	DATA: 22/01/2009
ARCHIVIAZIONE ELETTRONICA: "CARTELLA RILASCIATI" SU "UTSRV"	REVISIONE: 1.0
MATERIALE: <>	SCALA: 1:1
TRATTAMENTO: <>	SIZE: A4
PROFILO: <>	PAGINA: 1 DI 1
STATO: ESECUTIVO	CODICE PROGETTO: 040
	CODICE DISEGNO: SL040VC1001

SL040VC1201



Project Name:	PONTE TRASFERIMENTO ANALOGICO	Page:	1 of 1	Size:	A3
Designer:	Tommasi A.	Date:	Tuesday, November 17, 2009	Project Code:	RVR040
File Location:	\\Utsrv\Rilasciat\	Revision:	1.0	Description:	VCO PLL Trasmettitore
Folder/File:	/	Approval:		Part No.:	SL040VC1001

SL040VC1201

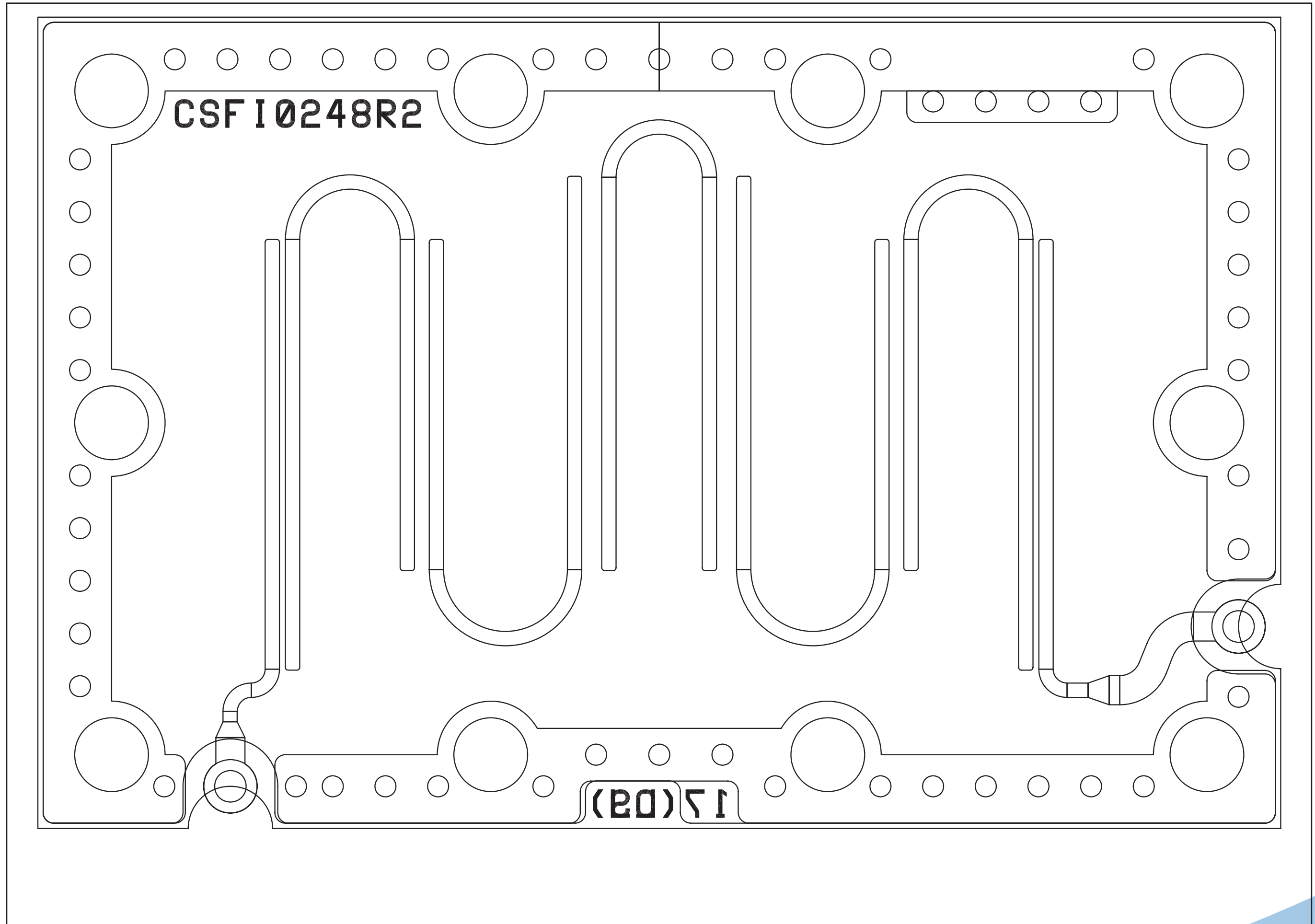
VCO PLL Trasmittitore Revised: 20/05/2010
SL040VC1201 Revision: 1.0

PONTE TRASFERIMENTO ANALOGICO
RVR040

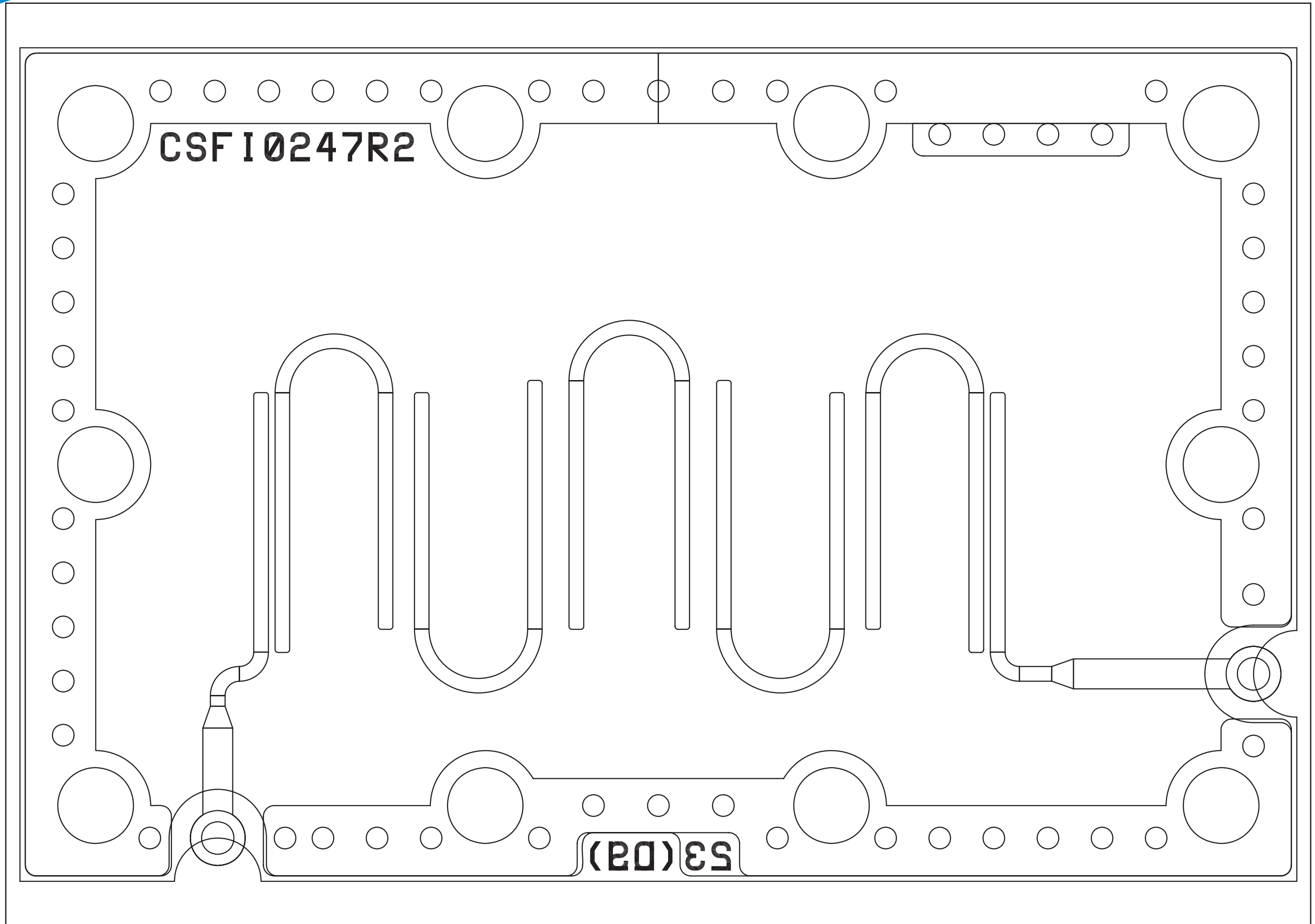
Item	Quantity	Reference	Part	Description	Code
1	2	CN1,CN2	SMB_CS	Connettore SMB cs	CNTSMBMCSD
2	1	CS1	CSVC0220R2	Circuito stampato	CSVC0220R2
3	26	C1,C2,C4,C8,C10,C14,C18,C30,C33,C38,C39,C40,C44,C47,C48,C49,C51,C52,C53,C54,C61,C62,C64,C67,C68,C69	100nF	Cond. SMD 0805	CCC085104KXC
4	5	C3,C9,C19,C28,C70	100uF/16V	Cond. Elett. SMD d. 6.3mm	CES107C160
5	4	C5,C6,C7,C29	100pF	Cond. SMD 0805	CCC085101JCC
6	2	C11,C12	4,7nF	Cond. SMD 0805	CCC085472KXC
7	1	C13	1uF	Cond. SMD 0805	CCC085105KXC
8	2	C15,C55	10nF	Cond. SMD 0805	CCC085103KXC
9	1	C16	4,7uF 1206	Cond. SMD 1206	CCC126475KXA
10	2	C17,C65	470nF	Cond. SMD 1206	CCC085474KXB
11	1	C20	33pF	Cond. SMD 0805	CCC085330JCC
12	6	C21,C22,C23,C24,C56,C57	NC	Cond. SMD 0805	
13	1	C25	3.3pF	Cond. SMD 1212 HQ	CHQ3P3CA501
14	2	C26,C66	2,7pF	Cond. SMD 0805	CCC0852P7JCC
15	1	C27	5,6pF	Cond. SMD 0805	CCC0855P6JCC
16	6	C31,C32,C34,C35,C41,C46	22pF	Cond. SMD 0805	CCC085220JCC
17	2	C36,C50	1nF	Cond. SMD 0805	CCC085102JNC
18	4	C37,C58,C59,C63	10uF/16V	Cond. Elett. SMD d. 4mm	CES106A160
19	2	C42,C43	1,2pF	Cond. SMD 0805	CCC0851P2JCC
20	1	C45	10pF	Cond. SMD 0805	CCC085100JCC
21	1	C60	10uF/35V	Cond. Elett. SMD d. 5mm	CES106B500
22	1	D2	Z10V	MINIMELF SMD Zener Diode	DIZ10VMINI
23	2	D3,D4	BAV99	Doppio Diodo SMD SOT23	DISBAV99
24	1	D6	Z11V	MINIMELF SMD Zener Diode	DIZ11VMINI
25	21	D7,D8,D9,D10,D11,D12,D13,D14,D15,D16,D17,D18,D19,D20,D21,D22,D23,D24,D25,D26,D27	NC	Diodo varicap SOD323	
26	1	FIL1	2.4G	Stripline band pass filter	
27	22	FIX1, FIX2, FIX3, FIX4, FIX5, FIX6, FIX7, FIX8, FIX9, FIX10, FIX11, FIX12, FIX13, FIX14, FIX15, FIX16, FIX17, FIX18, FIX19, FIX20, FIX21, FIX22	FIX35	Foro fissaggio 3.5mm	
28	2	HY1, HY2	GALI-S66	RF HIBRYD AMPLIFIER	MIBGALIS66
29	1	JP1	CN10PD	Connettore 10 poli Flat cs	CNTMCS10A
30	2	L1, L6	10uH	Ind. verticale SMD dia. 4 p 4.8	IMP10USMS50
31	1	L2	2.2uH	Induttanza SMD 3225 (1210)	IMP2U2S120
32	2	L3, L4	100nH	Induttanza SMD 2520 (1008)	IMP100NS108
33	1	L5	NC	Ind. verticale SMD dia. 4 p 4.8	
34	1	PAD1	PAD	Pad a saldare 2.5x2.5 mm	
35	3	Q1, Q3, Q6	BC817	Trans. NPN SOT23	TRNBC817
36	1	Q2	BFR520	Trans. NPN SOT23	TRNBFR520
37	1	Q4	BFR540	Trans. NPN SOT23	TRNBFR540
38	1	Q5	BSS138	Trans. FET SOT23	TRNBSS138
39	3	Q7, Q8, Q9	BCR135	Trans./Res. NPN SOT23	TRNBCR135
40	2	RV1, RV3	NC	Trimmer Rg V 3269W SMD	
41	1	RV2	5K	Trimmer Rg V 3269W SMD	RVT3269WK005
42	1	RV4	50K	Trimmer Rg V 3269W SMD	RVT3269WK050
43	5	R2, R3, R4, R18, R20	470H0	Res. SMD 0805 1%	RCH085F0470H

44	4	R5, R6, R19, R52	1K0	Res. SMD 0805 1%	RCH085F0001K
45	2	R7, R8	18K0	Res. SMD 0805 1%	RCH085F0018K
46	1	R9	220K0	Res. SMD 0805 1%	RCH085F0220K
47	1	R10	2M2	Res. SMD 0805 1%	RCH085F002M2
48	1	R11	470K0	Res. SMD 0805 1%	RCH085F0470K
49	3	R12, R13, R22	100K0	Res. SMD 0805 1%	RCH085F0100K
50	2	R14, R38	56H0	Res. SMD 0805 1%	RCH085F0056H
51	1	R15	68K0	Res. SMD 0805 1%	RCH085F0068K
52	1	R16	56K0	Res. SMD 0805 1%	RCH085F0056K
53	1	R17	39K0	Res. SMD 0805 1%	RCH085F0039K
54	1	R21	22K0	Res. SMD 0805 1%	RCH085F0022K
55	2	R23, R53	NC	Res. SMD 0805 1%	
56	3	R24, R46, R49	47K0	Res. SMD 0805 1%	RCH085F0047K
57	3	R25, R28, R32	100H0	Res. SMD 0805 1%	RCH085F0100H
58	1	R26	2K20	Res. SMD 0805 1%	RCH085F002K2
59	3	R27, R50, R51	4K70	Res. SMD 0805 1%	RCH085F004K7
60	3	R29, R40, R43	10H0	Res. SMD 0805 1%	RCH085F0010H
61	2	R30, R39	270H0	Res. SMD 0805 1%	RCH085F0270H
62	2	R31, R37	82H0	Res. SMD 0805 1%	RCH085F0082H
63	1	R33	330H0	Res. SMD 0805 1%	RCH085F0330H
64	1	R34	22H0	Res. SMD 0805 1%	RCH085F0022H
65	3	R35, R36, R41	220H0	Res. SMD 0805 1%	RCH085F0220H
66	2	R42, R48	10K0	Res. SMD 0805 1%	RCH085F0010K
67	2	R44, R45	56H0	Res. SMD 1206	RCH126F0056H
68	1	R47	1M0	Res. SMD 0805 1%	RCH085F0001M
69	1	TCX1	10MHz	TCXO SMD 5x3.2mm	QRZ000010MMV
70	1	TL1	TLVCO	Linea strip VCO	
71	1	TL2	TLINE_P	Linea strip CS	
72	3	TL3, TL4, TL5	TLINE_S	Linea strip CS	
73	1	TL6	DDR060	Linea strip CS	RIS900MHZ
74	1	U1	TLC082	Dual Op. SMD SO8	CILTLC082
75	1	U2	LMX2316/SO	Integrated PLL	CIDLX2316
76	1	U3	LM78L05	Stabilizzatore SMD SO8	CIL78L05SMD
77	1	U4	MC78LC33	Stab. SMD SOT23-5	CILMC78LC33
78	1	U5	L7812D2T	Stabilizzatore SMD D2PAK	CIL7812D2T

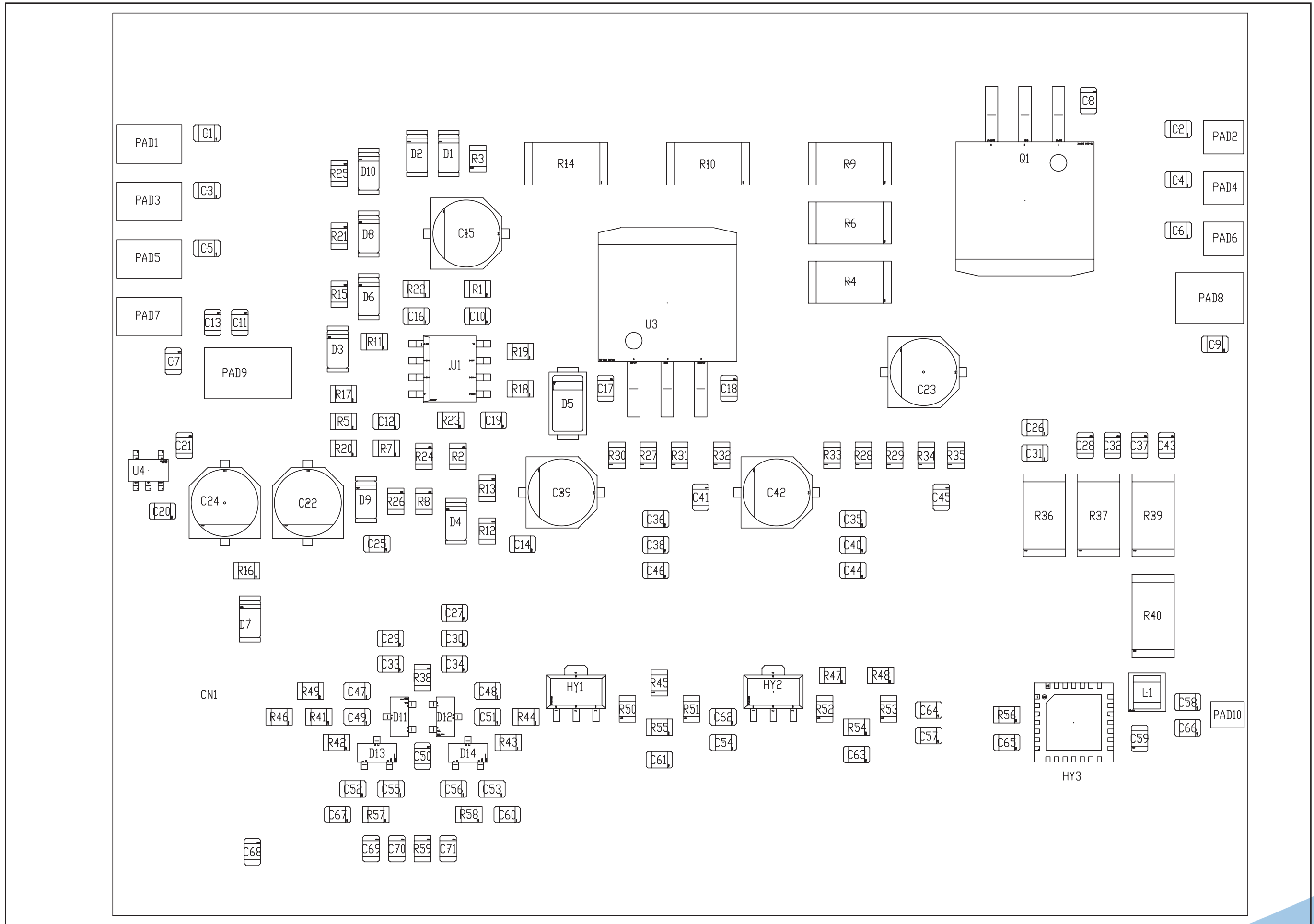
CSFI0248R2



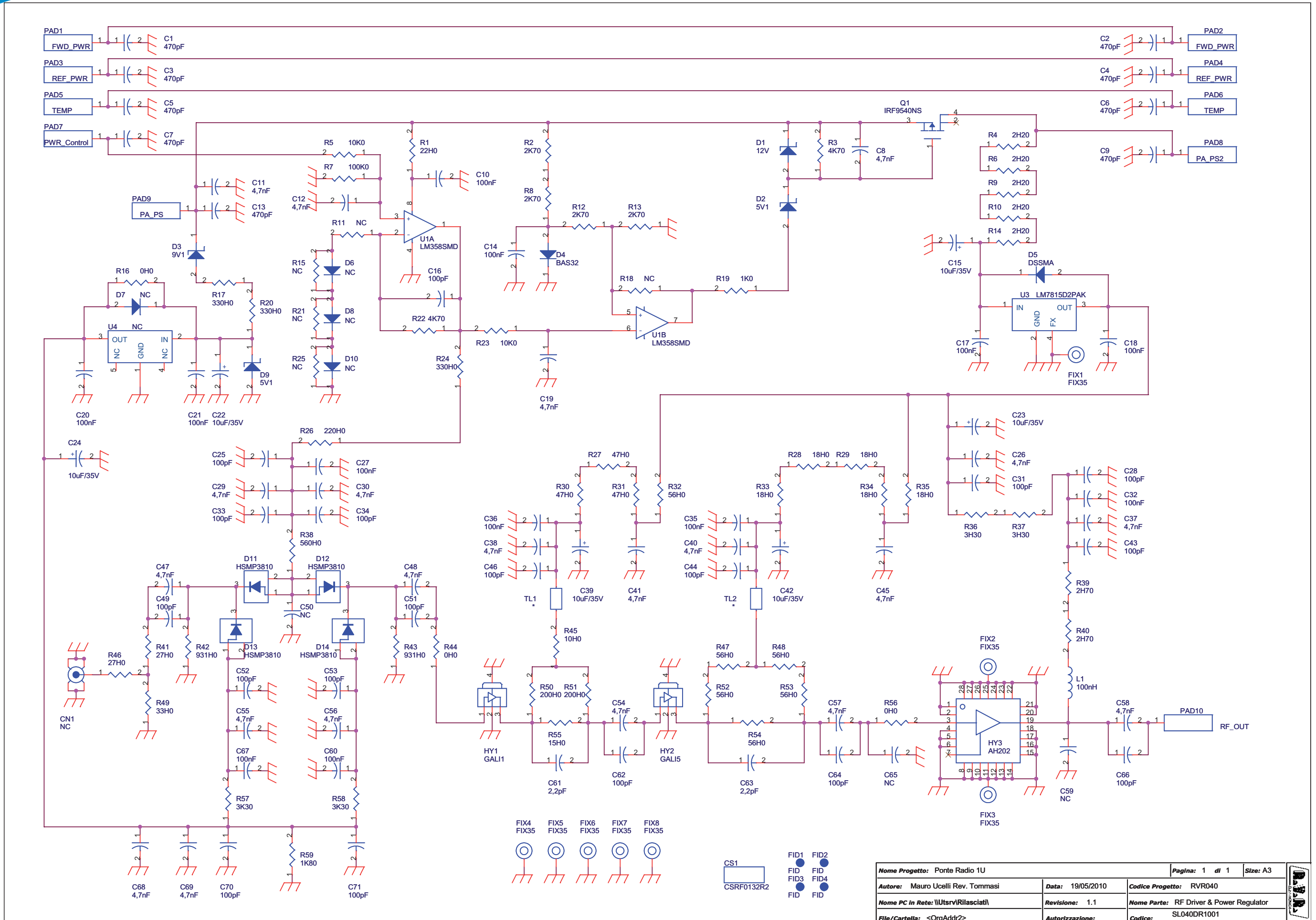
CSFI0247R2



SL040DR1001



SL040DR1001



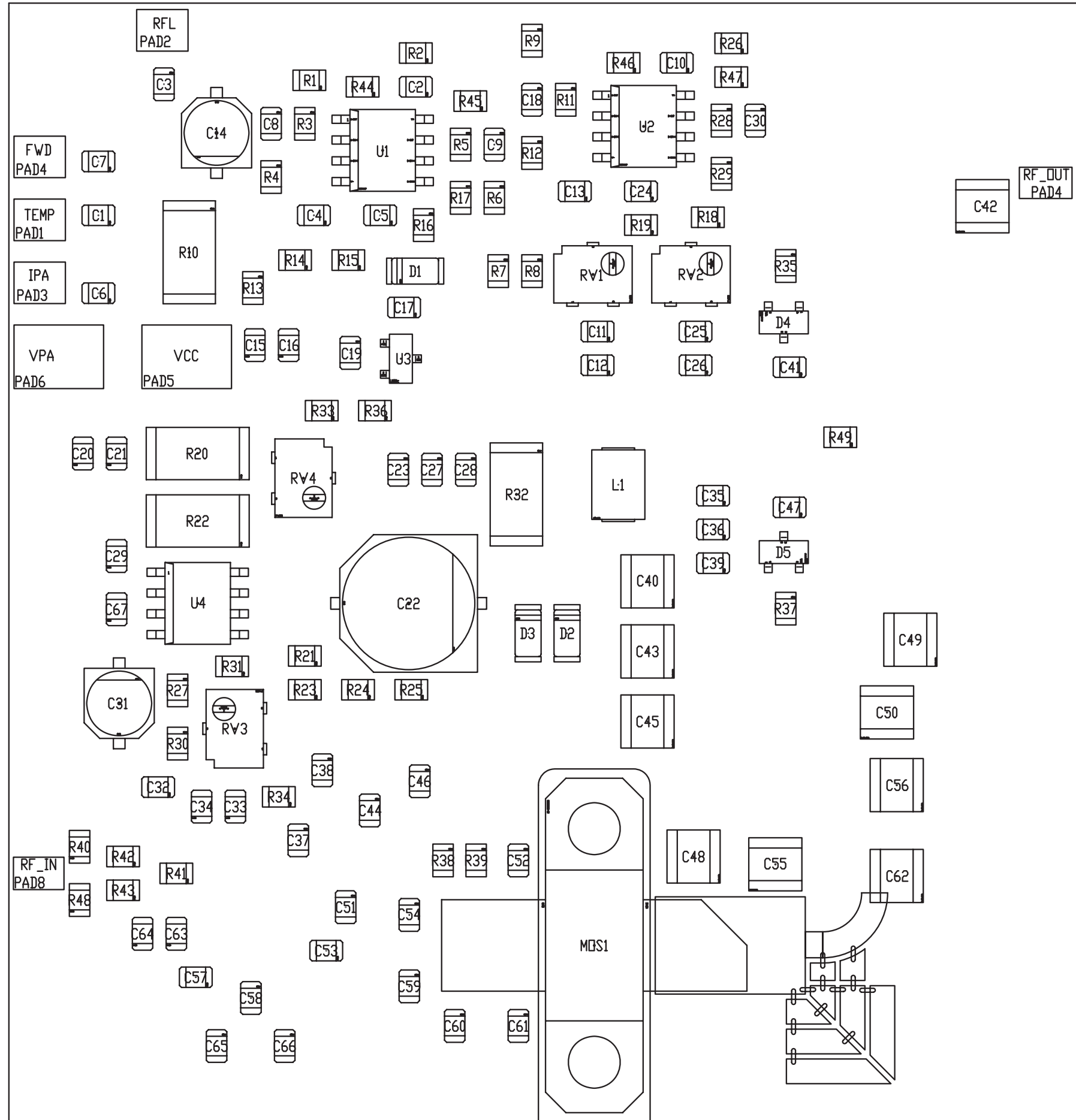
Nome Progetto: Ponte Radio 1U		Pagina: 1 di 1		Size: A3
Autore: Mauro Ucelli Rev. Tommasi	Data: 19/05/2010	Codice Progetto: RVR040		
Nome PC in Rete: \Utsrv\ Rilasciat\	Revisione: 1.1	Nome Parte: RF Driver & Power Regulator		
File/Cartella: <OrgAddr2>	Autorizzazione:	Codice: SL040DR1001		

SL040DR1001

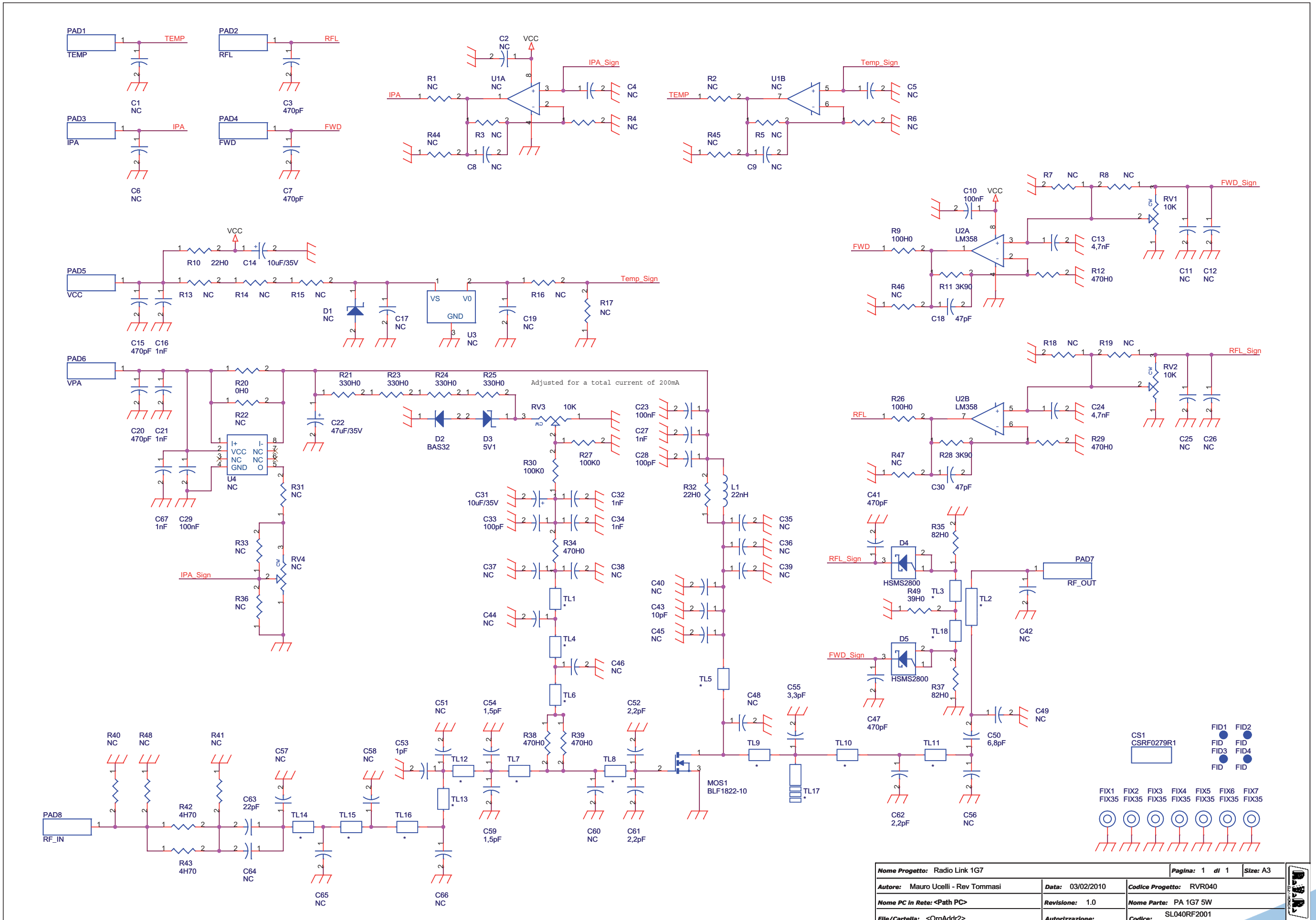
RF Driver & Power Regulator Revised: 19/05/2010
 SL040DR1001 Revision: 1.1
 Ponte Radio 1U
 RVR040
 Mauro Ucelli Rev. Tommasi

Item	Quantity	Reference	Part	Description	Code
1	1	CN1	NC	Connettore SMB cs	
2	1	CS1	CSRF0132R2	Circuito stampato	CSRF0132R2
3	9	C1,C2,C3,C4,C5,C6,C7,C9,C13	470pF	Cond. SMD 0805 COG	CCC085471JCC
4	21	C8,C11,C12,C19,C26,C29,C30,C37,C38,C40,C41,C45,C47,C48,C54,C55,C56,C57,C58,C68,C69	4,7nF	Cond. SMD 0805	CCC085472KDX
5	12	C10,C14,C17,C18,C20,C21,C27,C32,C35,C36,C60,C67	100nF	Cond. SMD 0805	CCC085104KXC
6	6	C15,C22,C23,C24,C39,C42	10uF/35V	Cond. Elett. SMD d. 5mm	CES106B350
7	18	C16,C25,C28,C31,C33,C34,C43,C44,C46,C49,C51,C52,C53,C62,C64,C66,C70,C71	100pF	Cond. SMD 0805 COG	CCC085101JCC
8	3	C50,C59,C65	NC	Cond. SMD 0805 COG	
9	2	C61,C63	2,2pF	Cond. SMD 0805 COG	CCC0852P2JCC
10	1	D1	12V	MINIMELF SMD Zener Diode	DIZ12VMINI
11	2	D2,D9	5V1	MINIMELF SMD Zener Diode	DIZ5V1MINI
12	1	D3	9V1	MINIMELF SMD Zener Diode	DIZ9V1MINI
13	1	D4	BAS32	MINIMELF SMD Diode	DISBAS32MINI
14	1	D5	DSSMA	Diodo SMD cont. SMA	DIS4007SMA
15	4	D6,D7,D8,D10	NC	MINIMELF SMD Diode	
16	4	D11,D12,D13,D14	HSMP3810	SMD Pin Diode	DISHSMP3810
17	4	FID1,FID2,FID3,FID4	FID	Fiducial CS	
18	8	FIX1, FIX2, FIX3, FIX4, FIX5, FIX6, FIX7, FIX8	FIX35	Foro fissaggio 3.5mm	
19	1	HY1	GAL11	Monolithic RF Amplifier	MIBGAL1
20	1	HY2	GAL15	Monolithic RF Amplifier	MIBGAL15
21	1	HY3	AH202	Monolithic RF Amplifier	CILAH202
22	1	L1	100nH	Induttanza SMD 1008	IMP100NS108
23	2	PAD1,PAD2	FWD_PWR	Pad SMD saldare	
24	2	PAD3,PAD4	REF_PWR	Pad SMD saldare	
25	2	PAD5,PAD6	TEMP	Pad SMD saldare	
26	1	PAD7	PWR_Control	Pad SMD saldare	
27	1	PAD8	PA_PS2	Pad SMD saldare	
28	1	PAD9	PA_PS	Pad SMD saldare	
29	1	PAD10	RF_OUT	Pad SMD saldare	
30	1	Q1	IRF9540NS	Trans. FET P D2PAK	TRNIRF9540NS
31	1	R1	22H0	Res. SMD 0805	RCH085F0022H
32	4	R2,R8,R12,R13	2K70	Res. SMD 0805	RCH085F002K7
33	2	R3,R22	4K70	Res. SMD 0805	RCH085F004K7
34	5	R4,R6,R9,R10,R14	2H20	Res. SMD 2512 5%	RCH252J002H2
35	2	R5,R23	10K0	Res. SMD 0805	RCH085F0010K
36	1	R7	100K0	Res. SMD 0805	RCH085F0100K
37	1	R45	10H0	Res. SMD 0805	RCH085F0010H
38	5	R11,R15,R18,R21,R25	NC	Res. SMD 0805	
39	3	R16,R44,R56	0H0	Res. SMD 0805	RCH085F0000H
40	3	R17,R20,R24	330H0	Res. SMD 0805	RCH085F0330H
41	1	R19	1K0	Res. SMD 0805	RCH085F0001K
42	1	R26	220H0	Res. SMD 0805	RCH085F0220H
43	3	R27,R30,R31	47H0	Res. SMD 0805	RCH085F0047H
44	5	R28,R29,R33,R34,R35	18H0	Res. SMD 0805	RCH085F0018H
45	6	R32,R47,R48,R52,R53,R54	56H0	Res. SMD 0805	RCH085F0056H
46	2	R36,R37	3H30	Res. SMD 2512 5%	RCH252J003H3
47	1	R38	560H0	Res. SMD 0805	RCH085F0560H
48	2	R39,R40	2H70	Res. SMD 2512 5%	RCH252J002H7
49	2	R41,R46	27H0	Res. SMD 0805	RCH085F0027H
50	2	R42,R43	931H0	Res. SMD 0805	RCH085F0931H
51	1	R49	33H0	Res. SMD 0805	RCH085F0033H
52	2	R50,R51	200H0	Res. SMD 0805	RCH085F0200H
53	1	R55	15H0	Res. SMD 0805	RCH085F0015H
54	2	R57,R58	3K30	Res. SMD 0805	RCH085F003K3
55	1	R59	1K80	Res. SMD 0805	RCH126J001K8
56	2	TL1,TL2	*	Linea strip CS	
57	1	U1	LM358SMD	Dual Op. SMD SO8	CILLM358SMD
58	1	U3	LM7815D2PAK	Stabilizzatore SMD D2PAK	CIL78152DT
59	1	U4	NC	Stab. SMD SOT23-5	

SL040RF2001



SL040RF2001

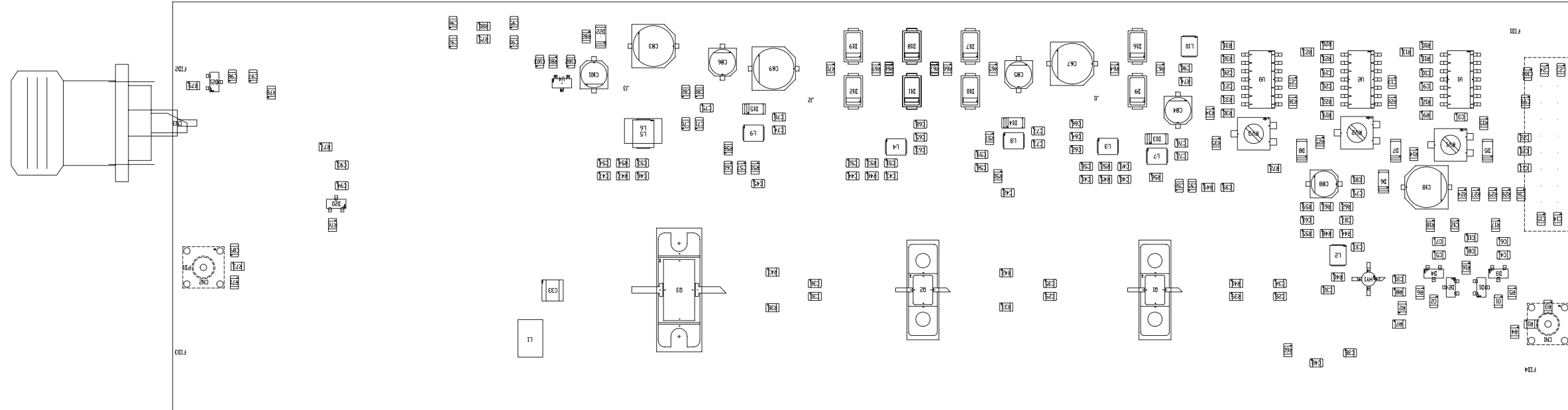


SL040RF2001

PA 1G7 5W Revised: Wednesday, February 03, 2010
 SL040RF2001 Revision: 1.0
 Radio Link 1G7
 RVR040
 Mauro Ucelli

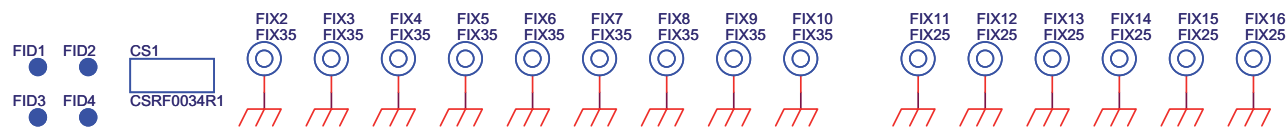
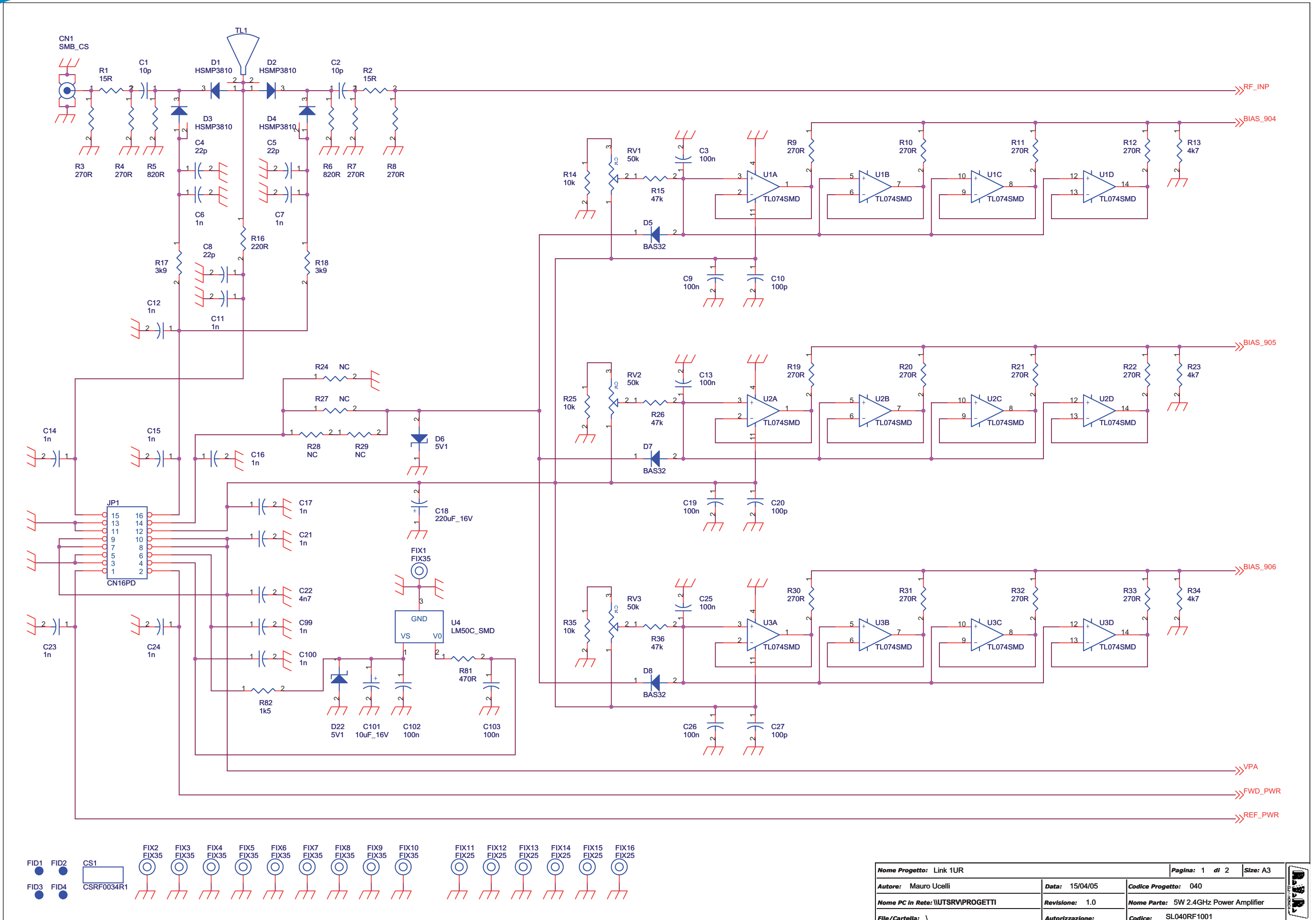
Item	Quantity	Reference	Part	Description	Code
1	1	CS1	CSRF0279R1	Circuito stampato	CSRF0279R1
2	19	C1,C6,C8,C9,C19,C35,C36,C37,C38,C39,C44,C46,C51,C57,C58,C60,C64,C65,C66	NC	Cond. SMD 0805 COG	
3	8	C2,C4,C5,C11,C12,C17,C25,C26	NC	Cond. SMD 0805	
4	6	C3,C7,C15,C20,C41,C47	470pF	Cond. SMD 0805 COG	CCC085471JCC
5	3	C10,C23,C29	100nF	Cond. SMD 0805	CCC085104KXC
6	2	C13,C24	4,7nF	Cond. SMD 0805	CCC085472KXC
7	2	C14,C31	10uF/35V	Cond. Elett. SMD d. 4mm	CES106B350
8	6	C16,C21,C27,C32,C34,C67	1nF	Cond. SMD 0805 COG	CCC085102JNC
9	2	C18,C30	47pF	Cond. SMD 0805 COG	CCC085470JCC
10	1	C22	47uF/35V	Cond. Elett. SMD d. 6.3mm	CES476C350
11	2	C28,C33	100pF	Cond. SMD 0805 COG	CCC085101JCC
12	6	C40,C42,C45,C48,C49,C56	NC	Cond. SMD 1212 HQ	
13	1	C43	10pF	Cond. SMD 1212 HQ	CHQ100CA501
14	1	C50	6,8pF	Cond. SMD 1212 HQ	CHQ6P8JA501
15	2	C52,C61	2,2pF	Cond. SMD 0805 COG	CCC0852P2JCC
16	1	C53	1pF	Cond. SMD 0805 COG	CCC085010JCC
17	2	C54,C59	1,5pF	Cond. SMD 0805 COG	CCC0851P5JCC
18	1	C55	3,3pF	Cond. SMD 1212 HQ	CHQ3P3CA501
19	1	C62	2,2pF	Cond. SMD 1212 HQ	CHQ2P2CA501
20	1	C63	22pF	Cond. SMD 0805 COG	CCC085220JCC
21	1	D1	NC	MINIMELF SMD Zener Diode	
22	1	D2	BAS32	MINIMELF SMD Diode	DISBAS32MINI
23	1	D3	5V1	MINIMELF SMD Zener Diode	DIZ5V1MINI
24	2	D4,D5	HSMS2800	Diodo Hot Carrier SOT23	DISHSMS2800
25	4	FID1,FID2,FID3,FID4	FID	Fiducial CS	
26	7	FIX1,FIX2,FIX3,FIX4,FIX5,FIX6,FIX7	FIX35	Foro fissaggio 3.5mm	
27	1	L1	22nH	Ind. SMD 1812	BOB01010024A
28	1	MOS1	BLF1822-10	RF Power LDMOS	TRNBLF1822-1
29	1	PAD1	TEMP	Pad SMD saldare	
30	1	PAD2	RFL	Pad SMD saldare	
31	1	PAD3	IPA	Pad SMD saldare	
32	1	PAD4	FWD	Pad SMD saldare	
33	1	PAD5	VCC	Pad SMD saldare	
34	1	PAD6	VPA	Pad SMD saldare	
35	1	PAD7	RF_OUT	Pad SMD saldare	
36	1	PAD8	RF_IN	Pad SMD saldare	
37	3	RV1,RV2,RV3	10K	Trimm. multi SMD PVG5 Murata	RVT3214WK010
38	1	RV4	NC	Trimm. multi SMD PVG5 Murata	
39	25	R1,R2,R3,R4,R5,R6,R7,R8,R13,R14,R15,R16,R17,R18,R19,R31,R33,R36,R40,R41,R44,R45,R46,R47,R48	NC	Res. SMD 0805 1%	
40	2	R9,R26	100H0	Res. SMD 0805 1%	RCH085F0100H
41	2	R10,R32	22H0	Res. SMD 2512 1%	RCH252F0022H
42	2	R11,R28	3K90	Res. SMD 0805 1%	RCH085F003K9
43	5	R12,R29,R34,R38,R39	470H0	Res. SMD 0805 1%	RCH085F0470H
44	1	R20	0H0	Res. SMD 2512 1%	RCH252F0000H
45	4	R21,R23,R24,R25	330H0	Res. SMD 0805 1%	RCH085F0330H
46	1	R22	NC	Res. SMD 2512 1%	
47	2	R27,R30	100K0	Res. SMD 0805 1%	RCH085F0100K
48	2	R35,R37	82H0	Res. SMD 0805 1%	RCH085F0082H
49	2	R42,R43	4H70	Res. SMD 0805 1%	RCH085F004H7
50	1	R49	39H0	Res. SMD 0805 1%	RCH085F0039H
51	18	TL1,TL2,TL3,TL4,TL5,TL6,TL7,TL8,TL9,TL10,TL11,TL12,TL13,TL14,TL15,TL16,TL17,TL18	*	Linea strip CS	
52	1	U1	NC	Dual Op. SMD SO8	
53	1	U2	LM358	Dual Op. SMD SO8	CILLM358SMD
54	1	U3	NC	Temperature sensor	
55	1	U4	NC	Current sense ampli SO8	

SL040RF1001



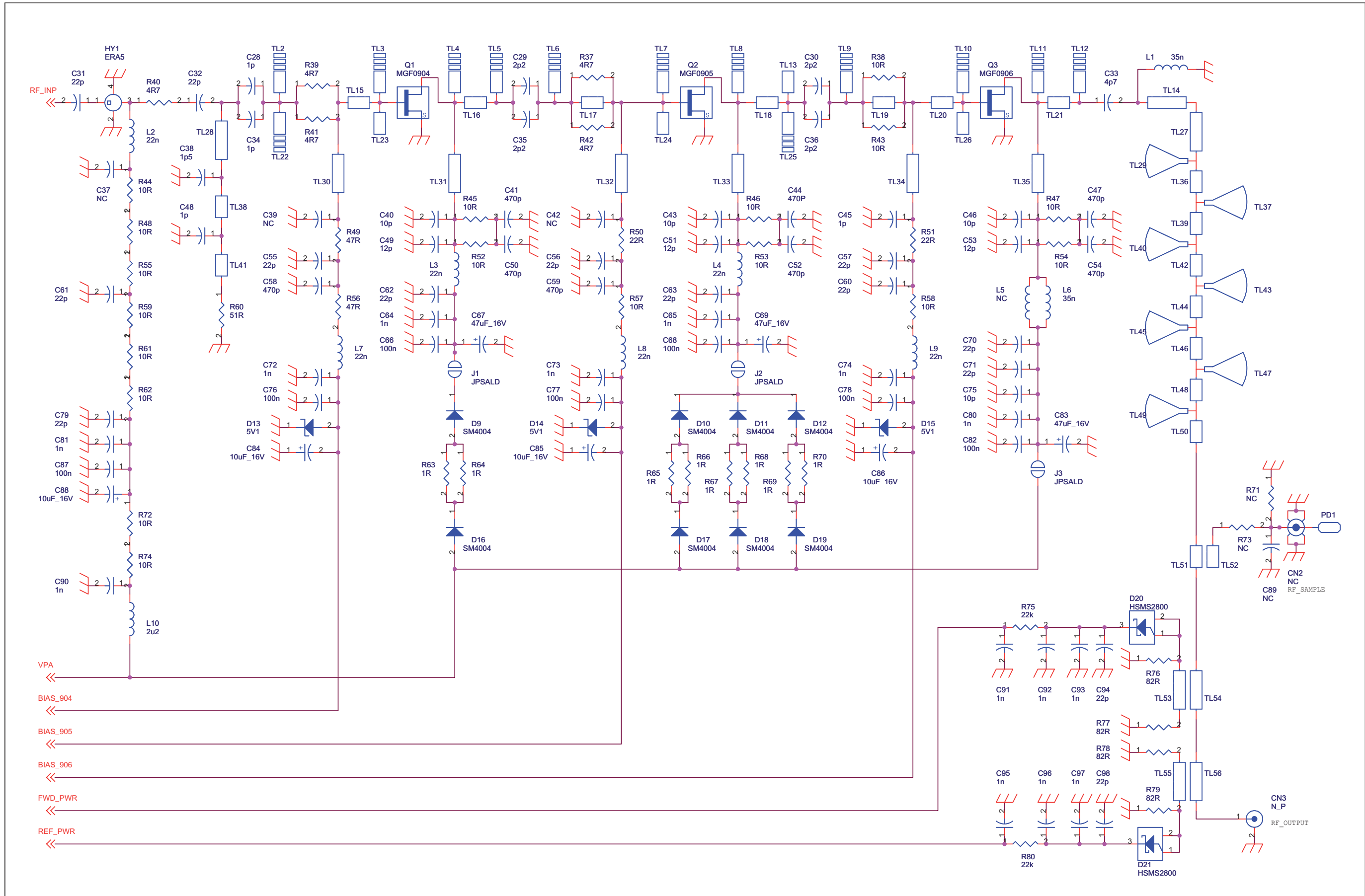
	NOME PROGETTO: PONTE 1U	NOME PARTE: PA BOARD 5W		
	AUTORE: UCELLI	DATA: 15/04/2005	REVISIONE: 1.0	SCALA: 1:1
ARCHIVIAZIONE ELETTRONICA: "CARTELLA PROGETTI" SU "UT_SRV"	CODICE PROGETTO: 040	CODICE DISEGNO: SL040RF1001	SIZE: A4	PAGINA: 1 DI 1
MATERIALE: <>	TRATTAMENTO: <>	PROFILO: <>	STATO: PROGETTUALE	

SL040RF1001



Nome Progetto: Link 1UR		Pagina: 1 di 2	Size: A3
Autore: Mauro Ucelli	Data: 15/04/05	Codice Progetto: 040	
Nome PC in Rete: WUTSRVPROGETTI		Revisione: 1.0	Nome Parte: 5W 2.4GHz Power Amplifier
File/Cartella: \	Autorizzazione:	Codice: SL040RF1001	

SL040RF1001



Nome Progetto: Link 1UR		Pagina: 2 di 2	Size: A3
Autore: Mauro Ucelli	Data: 15/04/05	Codice Progetto: 040	
Nome PC in Rete: WUTSRVPROGETTI	Revisione: 1.0	Nome Parte: 5W 2.4GHz Power Amplifier	
File/Cartella: \	Autorizzazione:	Codice: SL040RF1001	

SL040RF1001

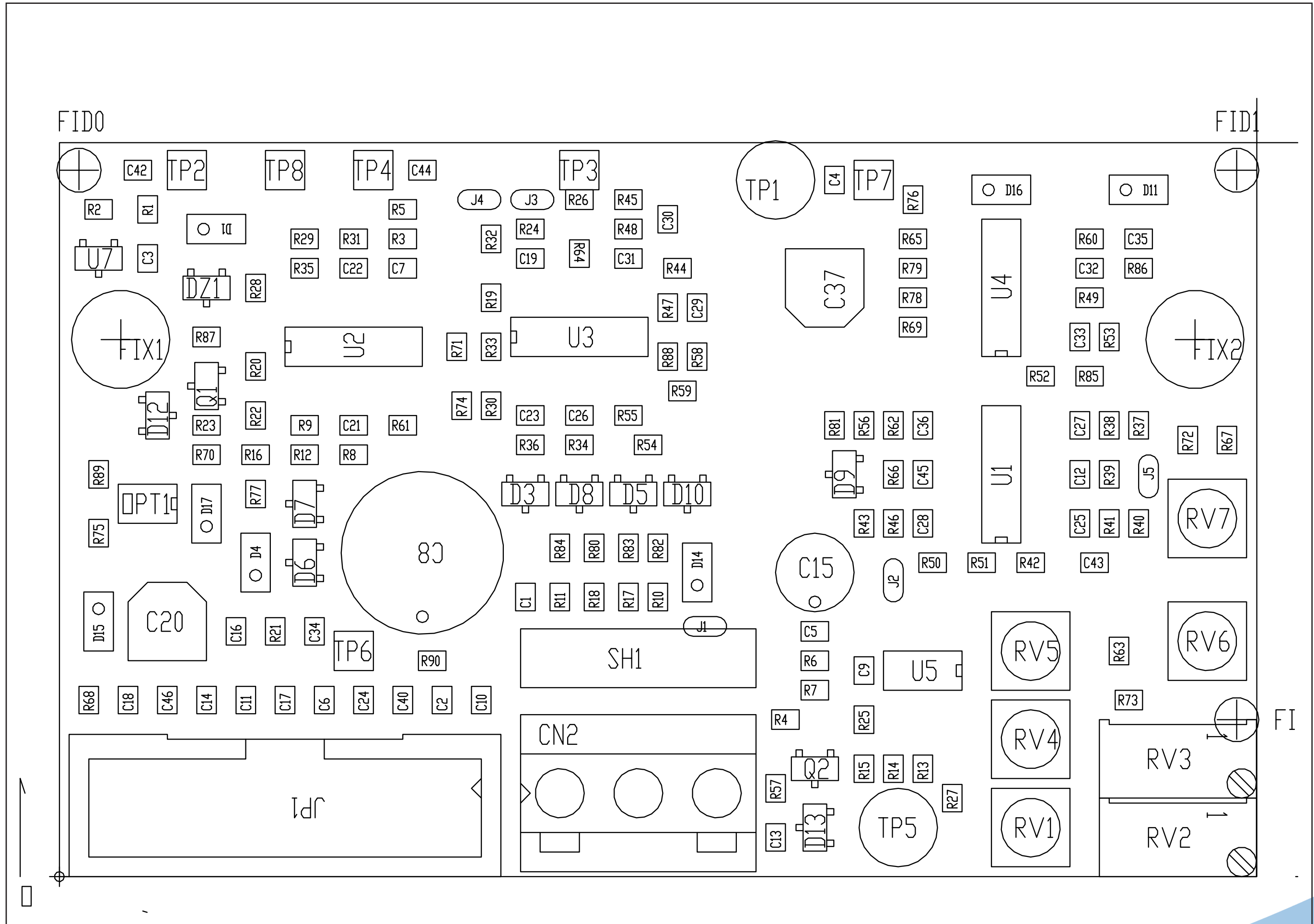
5W 2.4GHz Power Amplifier
SL040RF1001
Revision: 1.0
Link 1UR
40
Mauro Ucelli
15/04/2005

Item	Quantity	Reference	Part	Description	Code1	Montaggio	Fase montaggio (*)
1	1	CN1	SMB_CS	Connettore SMB cs	CNTSMBMCS		2
2	1	CN2	NC	Connettore SMB cs			0
3	1	CN3	N_P	Conn. N da pannello	CNTNFPFLPI		3
4	1	CS1	CSRF0034R1	Circuito stampato	CSRF0034R1		1
5	6	C1,C2,C40,C43,C46,C75	10p	Cond. SMD 0805 COG	CCC085100JCC	FEP	1
6	15	C3,C9,C13,C19,C25,C26,C66,C68,C76,C77,C78,C82,C87,C102,C103	100n	Cond. SMD 0805	CCC085104KXC	FEP	1
7	17	C4,C5,C8,C31,C32,C55,C56,C57,C60,C61,C62,C63,C70,C71,C79,C94,C98	22p	Cond. SMD 0805 COG	CCC085220JCC	FEP	1
8	27	C6,C7,C11,C12,C14,C15,C16,C17,C21,C23,C24,C64,C65,C72,C73,C74,C80,C81,C90,C91,C92,C93,C95,C96,C97,C99,C100	1n	Cond. SMD 0805	CCC085102JNC	FEP	1
9	3	C10,C20,C27	100p	Cond. SMD 0805 COG	CCC085101JCC	FEP	1
10	1	C18	220uF_16V	Cond. Elett. SMD d. 6.3mm	CES227E160	FEP	1
11	1	C22	4n7	Cond. SMD 0805	CCC085472KXC	FEP	1
12	4	C28,C34,C45,C48	1p	Cond. SMD 0805 COG	CCC085010JCC	FEP	1
13	4	C29,C30,C35,C36	2p2	Cond. SMD 0805 COG	CCC0852P2JCC	FEP	1
14	1	C33	4p7	Cond. SMD 1212 HQ	CHQ4P7CA501	FEP	1
15	4	C37,C39,C42,C89	NC	Cond. SMD 0805 COG			0
16	1	C38	1p5	Cond. SMD 0805 COG	CCC0851P5JCC	FEP	1
17	6	C41,C44,C47,C50,C52,C54	470p	Cond. SMD 0805	CCC085471JCC	FEP	1
18	3	C49,C51,C53	12p	Cond. SMD 0805 COG	CCC085120JCC	FEP	1
19	2	C58,C59	470p	Cond. SMD 0805 COG	CCC085471JCC	FEP	1
20	3	C67,C69,C83	47uF_16V	Cond. Elett. SMD d. 6.3mm	CES476C160	FEP	1
21	5	C84,C85,C86,C88,C101	10uF_16V	Cond. Elett. SMD d. 4mm	CES106A160	FEP	1
22	4	D1,D2,D3,D4	HSMP3810	Diode PIN SMD SOT23	DISHSMP3810	FEP	1
23	3	D5,D7,D8	BAS32	MINIMELF SMD Diode	DISBAS32MINI	FEP	1
24	5	D6,D13,D14,D15,D22	5V1	MINIMELF SMD Zener Diode	DIZ5V1MINI	FEP	1
25	8	D9,D10,D11,D12,D16,D17,D18,D19	SM4004	Diode SMD cont. SMA		FEP	1
26	2	D20,D21	HSMS2800	Diode Shottky SOT23	DISHSMS2800	FEP	1
27	4	FID1,FID2,FID3,FID4	FID				0
28	10	FIX1,FIX2,FIX3,FIX4,FIX5,FIX6,FIX7,FIX8,FIX9,FIX10	FIX35	Foro fissaggio 3.5mm			0
29	6	FIX11,FIX12,FIX13,FIX14,FIX15,FIX16	FIX25	Foro fissaggio 2.5mm			0
30	1	HY1	ERA5	Ibrido MAR/ERA	MIBERA5-SM		1
31	1	JP1	CN16PD	Connettore 16 poli Flat cs	CNTMCS16A		2
32	3	J1,J2,J3	JPSALD				0
33	2	L6,L1	35n	Induttanza cilindrica	BOB01020123A		2
34	6	L2,L3,L4,L7,L8,L9	22n	Induttanza SMD 3225 (1210)	IMP22NS120		1
35	1	L5	NC	Induttanza SMD 4532 (1812)			1
36	1	L10	2u2	Induttanza SMD 3225 (1210)	IMP2U2S120		1
37	1	PD1	PAD				0
38	1	Q1	MGF0904		TRNMGF0904		3
39	1	Q2	MGF0905		TRNMGF0905		3
40	1	Q3	MGF0906		TRNMGF0906		3
41	3	RV1,RV2,RV3	50k	Trimmer SMD	RVT4X4K0050V		1
42	2	R2,R1	15R	Res. SMD 0805	RCH085F0015H	FEP	1
43	16	R3,R4,R7,R8,R9,R10,R11,R12,R19,R20,R21,R22,R30,R31,R32,R33	270R	Res. SMD 0805	RCH085F0270H	FEP	1
44	2	R5,R6	820R	Res. SMD 0805	RCH085F0820H	FEP	1
45	3	R13,R23,R34	4k7	Res. SMD 0805	RCH085F004K7	FEP	1
46	3	R14,R25,R35	10k	Res. SMD 0805	RCH085F0010K	FEP	1
47	3	R15,R26,R36	47k	Res. SMD 0805	RCH085F0047K	FEP	1
48	1	R16	220R	Res. SMD 0805	RCH085F0220H	FEP	1
49	2	R18,R17	3k9	Res. SMD 0805	RCH085F003K9	FEP	1
50	6	R24,R27,R28,R29,R71,R73	NC	Res. SMD 0805			1
51	5	R37,R39,R40,R41,R42	4R7	Res. SMD 0805	RCH085F004H7	FEP	1
52	18	R38,R43,R44,R45,R46,R47,R48,R52,R53,R54,R55,R57,R58,R59,R61,R62,R72,R74	10R	Res. SMD 0805	RCH085F0010H	FEP	1
53	2	R49,R56	47R	Res. SMD 0805	RCH085F0047H	FEP	1
54	2	R50,R51	22R	Res. SMD 0805	RCH085F0022H	FEP	1
55	1	R60	51R	Res. SMD 0805	RCH085F0051H	FEP	1

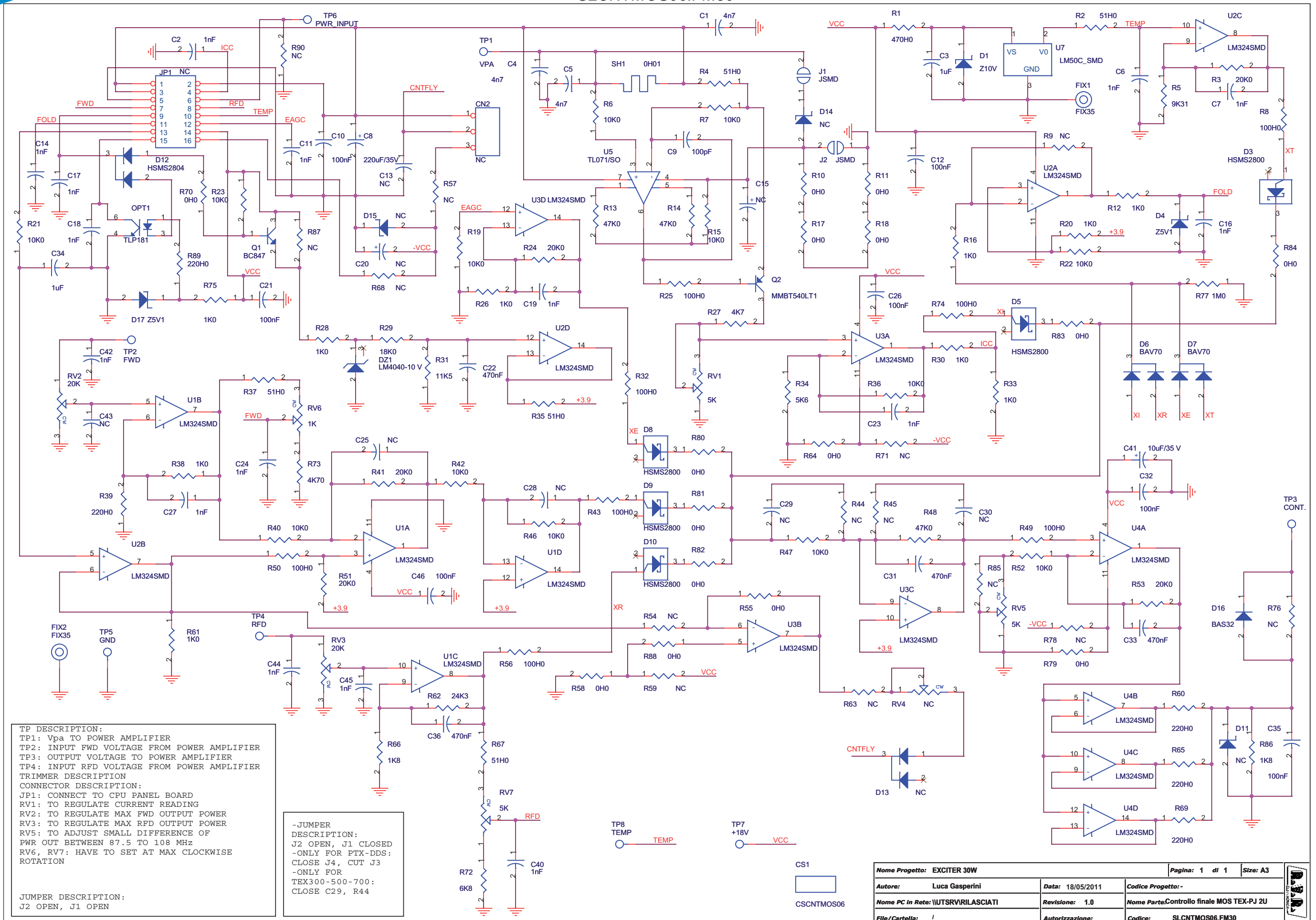
56	8	R63,R64,R65,R66,R67,R68,R69,R70	1R	Res. SMD 0805	RCH085F0001H	FEP	1
57	2	R75,R80	22k	Res. SMD 0805	RCH085F0022K	FEP	1
58	4	R76,R77,R78,R79	82R	Res. SMD 0805	RCH085F0082H	FEP	1
59	1	R81	470R	Res. SMD 0805	RCH085F0470H	FEP	1
60	1	R82	1k5	Res. SMD 0805	RCH085F001K5	FEP	1
61	8	TL1,TL29,TL37,TL40,TL43,TL45,TL47,TL49	Stub				0
62	13	TL2,TL3,TL4,TL5,TL6,TL7,TL8,TL9,TL10,TL11,TL12,TL22,TL25	OCA_TLINE	Linea strip CS			0
63	5	TL13,TL23,TL24,TL26,TL52	OC_TLINE	Linea strip CS			0
64	13	TL14,TL27,TL28,TL30,TL31,TL32,TL33,TL34,TL35,TL53,TL54,TL55,TL56	TLINE_M	Linea strip CS			0
65	17	TL15,TL16,TL17,TL18,TL19,TL20,TL21,TL36,TL38,TL39,TL41,TL42,TL44,TL46,TL48,TL50,TL51	TLINE_S	Linea strip CS			0
66	3	U1,U2,U3	TL074SMD	Quad Op. SMD SO14	CILT074SMD		1
67	1	U4	LM50C_SMD	Temperature sensor	CILLM50C		1

(*) Fase montaggio
0 Non montare
1 Fase 1 - Montaggio SMD
2 Fase 2 - Montaggio componenti tradizionali
3 Fase 3 - Assemblaggio con meccanica di supporto

SLCNTMOS06.FM30



SLCNTMOS06.FM30



TP DESCRIPTION:
 TP1: Vpa TO POWER AMPLIFIER
 TP2: INPUT FWD VOLTAGE FROM POWER AMPLIFIER
 TP3: OUTPUT VOLTAGE TO POWER AMPLIFIER
 TP4: INPUT RFD VOLTAGE FROM POWER AMPLIFIER

TRIMMER DESCRIPTION:
 RV1: TO REGULATE CURRENT READING
 RV2: TO REGULATE MAX FWD OUTPUT POWER
 RV3: TO REGULATE MAX RFD OUTPUT POWER
 RV5: TO ADJUST SMALL DIFFERENCE OF PWR OUT BETWEEN 87.5 TO 108 MHz

JUMPER DESCRIPTION:
 J2 OPEN, J1 OPEN

-JUMPER DESCRIPTION:
 J2 OPEN, J1 CLOSED
 -ONLY FOR PTX-DDS:
 CLOSE J4, CUT J3
 -ONLY FOR
 TEX300-500-700:
 CLOSE C29, R44

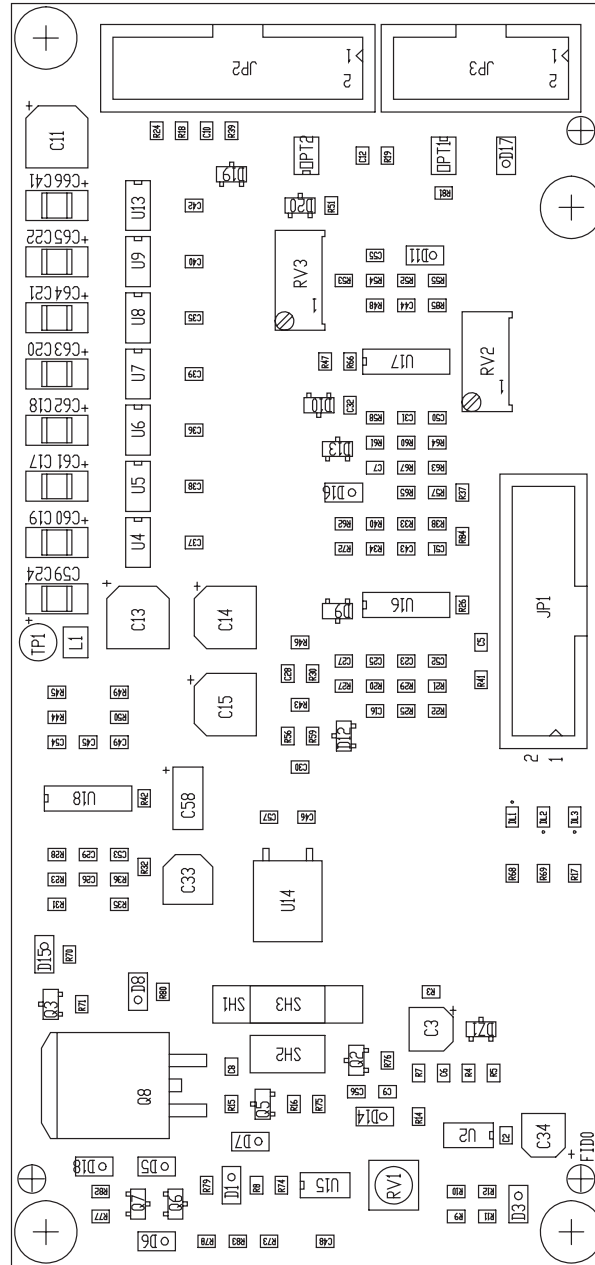
Nome Progetto: EXCITER 30W	Pagina: 1 di 1	Size: A3
Autore: Luca Gasperini	Data: 18/05/2011	Codice Progetto: -
Nome PC in Rete: WUTSRVIRLASCATI	Revisione: 1.0	Nome Parte: Controllo finale MOS TEX-PJ 2U
File/Cartella: /	Autorizzazione:	Codice: SLCNTMOS06.FM30

SLCNTMOS06.FM30

Controllo finale MOS TEX-PJ 2U Revised: Wednesday, May 18, 2011
 SLCNTMOS06.FM30 Revision: 1.0
 EXCITER 30W
 Luca Gasperini

Item	Quantity	Reference	Part	Description
1	1	CN2	NC	Conn. tipo KRA a 3 poli
2	1	CS1	CSCNTMOS06	Circuito stampato
3	3	C1, C4, C5	4n7	Cond. SMD 0805
4	16	C2, C6, C7, C11, C14, C16, C17, C18, C19, C23, C24, C27, C40, C42, C44, C45	1nF	Cond. SMD 0805
5	2	C3, C34	1uF	Cond. SMD 0805
6	1	C8	220uF/35V	Cond. Elettr. Dia 10 P5.08
7	1	C9	100pF	Cond. SMD 0805
8	7	C10, C12, C21, C26, C32, C35, C46	100nF	Cond. SMD 0805
9	6	C13, C25, C28, C29, C30, C43	NC	Cond. SMD 0805
10	1	C15	NC	Cond. Elettr. Dia 5 P2.54
11	1	C20	NC	Cond. Elettr. SMD d. 4mm
12	4	C22, C31, C33, C36	470nF	Cond. SMD 0805
13	1	C41	10uF/35 V	Cond. Elettr. SMD d. 4mm
14	1	DZ1	LM4040-10 V	Diodi Zener SMD SOT23
15	1	D1	Z10V	MINIMELF SMD Zener Diode
16	5	D3, D5, D8, D9, D10	HSMS2800	Diodo Schottky SOT23
17	2	D4, D17	Z5V1	MINIMELF SMD Zener Diode
18	2	D6, D7	BAV70	Doppio Diodo SMD SOT23
19	3	D11, D14, D15	NC	MINIMELF SMD Zener Diode
20	1	D12	HSMS2804	Doppio Diodo SMD SOT23
21	1	D13	NC	Doppio Diodo SMD SOT23
22	1	D16	BAS32	MINIMELF SMD Diode
23	2	FIX1, FIX2	FIX35	Foro fissaggio 3.5mm
24	1	JP1	NC	Connettore 16 poli Flat cs
25	2	J1, J2	JSMD	Pad SMD a saldare
26	1	OPT1	TLP181	Optoisolatore SMD SO6
27	1	Q1	BC847	Trans. NPN SOT23
28	1	Q2	MMBT540LT1	Trans. PNP SOT23
29	3	RV1, RV5, RV7	5K	Trimmer SMD
30	2	RV2, RV3	20K	Trimmer Rg V 3296W
31	1	RV4	NC	Trimmer SMD
32	1	RV6	1K	Trimmer SMD
33	1	R1	470H0	Res. SMD 0805
34	5	R2, R4, R35, R37, R67	51H0	Res. SMD 0805
35	5	R3, R24, R41, R51, R53	20K0	Res. SMD 0805
36	1	R5	9K31	Res. SMD 0805
37	13	R6, R7, R15, R19, R21, R22, R23, R36, R40, R42, R46, R47, R52	10K0	Res. SMD 0805
38	8	R8, R25, R32, R43, R49, R50, R56, R74	100H0	Res. SMD 0805
39	14	R9, R44, R45, R54, R57, R59, R63, R68, R71, R76, R78, R85, R87, R90	NC	Res. SMD 0805
40	15	R10, R11, R17, R18, R55, R58, R64, R70, R79, R80, R81, R82, R83, R84, R88	0H0	Res. SMD 0805
41	10	R12, R16, R20, R26, R28, R30, R33, R38, R61, R75	1K0	Res. SMD 0805
42	3	R13, R14, R48	47K0	Res. SMD 0805
43	2	R27, R73	4K70	Res. SMD 0805
44	1	R29	18K0	Res. SMD 0805
45	1	R31	11K5	Res. SMD 0805
46	1	R34	5K6	Res. SMD 0805
47	5	R39, R60, R65, R69, R89	220H0	Res. SMD 0805
48	1	R62	24K3	Res. SMD 0805
49	2	R66, R86	1K8	Res. SMD 0805
50	1	R72	6K8	Res. SMD 0805
51	1	R77	1M0	Res. SMD 0805
52	1	SH1	0H01	Shunt passo 15.2mm fori 2mm
53	1	TP1	VPA	Foro dia. 2mm
54	1	TP2	FWD	Foro dia. 1mm
55	1	TP3	CONT.	Foro dia. 1mm
56	1	TP4	RFD	Foro dia. 1mm
57	1	TP5	GND	Foro dia. 2mm
58	1	TP6	PWR_INPUT	Foro dia. 1mm
59	1	TP7	+18V	Foro dia. 1mm
60	1	TP8	TEMP	Foro dia. 1mm
61	4	U1, U2, U3, U4	LM324SMD	Quad Op. SMD SO14
62	1	U5	TL071/SO	Dual Op. SMD SO8
63	1	U7	LM50C_SMD	Temperature sensor

SL040BI2002



NOME PROGETTO: TRASMETTITORE PONTE RADIO 1U

NOME PARTE: SCHEDA CONTROLLO PA

AUTORE:

UCELLI/TOMMASI

DATA: 07/09/2005 | REVISIONE: 1.0 | SCALA: 1:1 | SIZE: A4 | PAGINA: 1 DI 1

ARCHIVIAZIONE ELETTRONICA: "CARTELLA PROGETTI" SU "UT_SRV"

CODICE PROGETTO: 040

CODICE DISEGNO: SL040BI2002

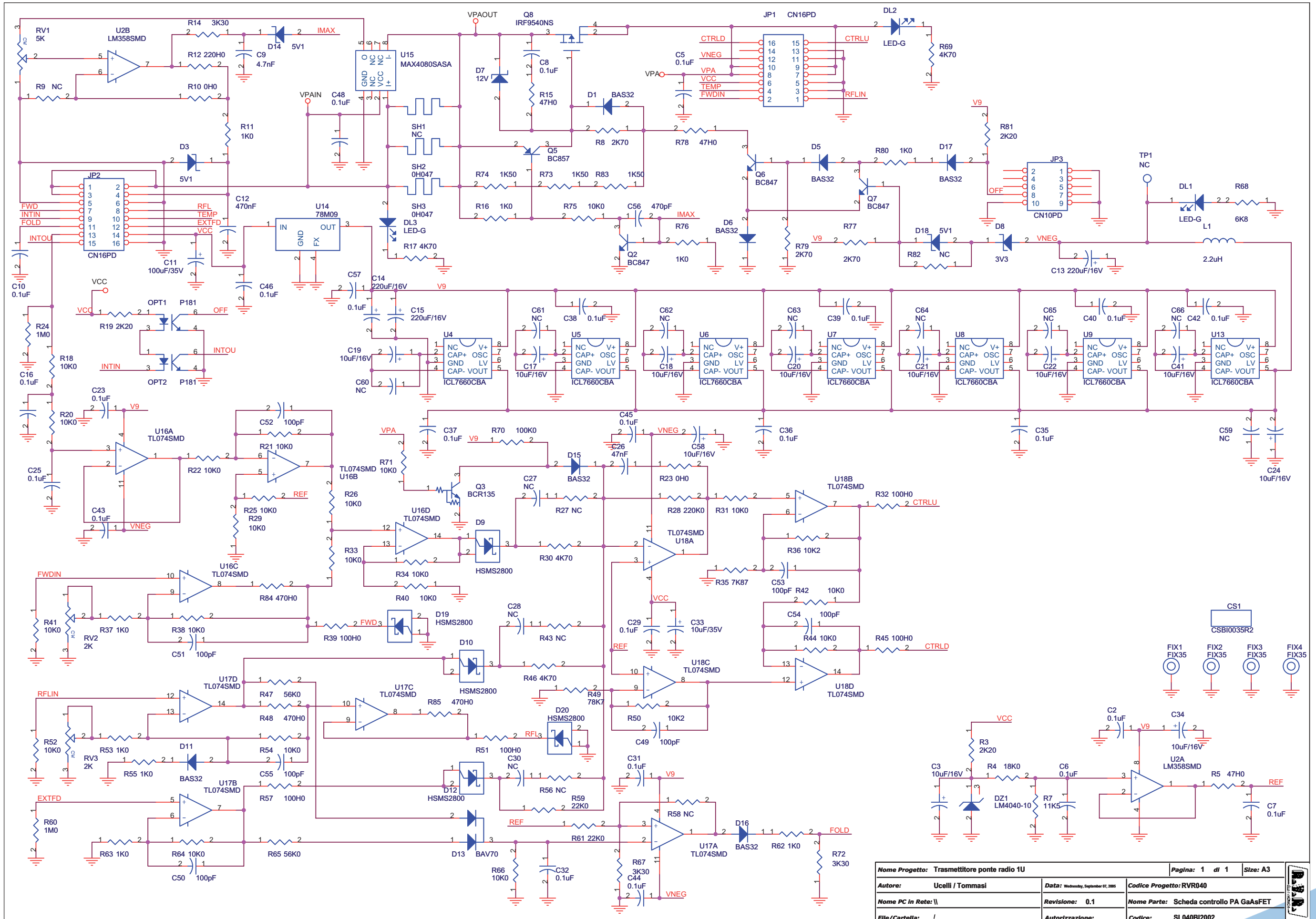
MATERIALE: <>

TRATTAMENTO: <>

PROFILO: <>

STATO: PROGETTUALE

SL040BI2002



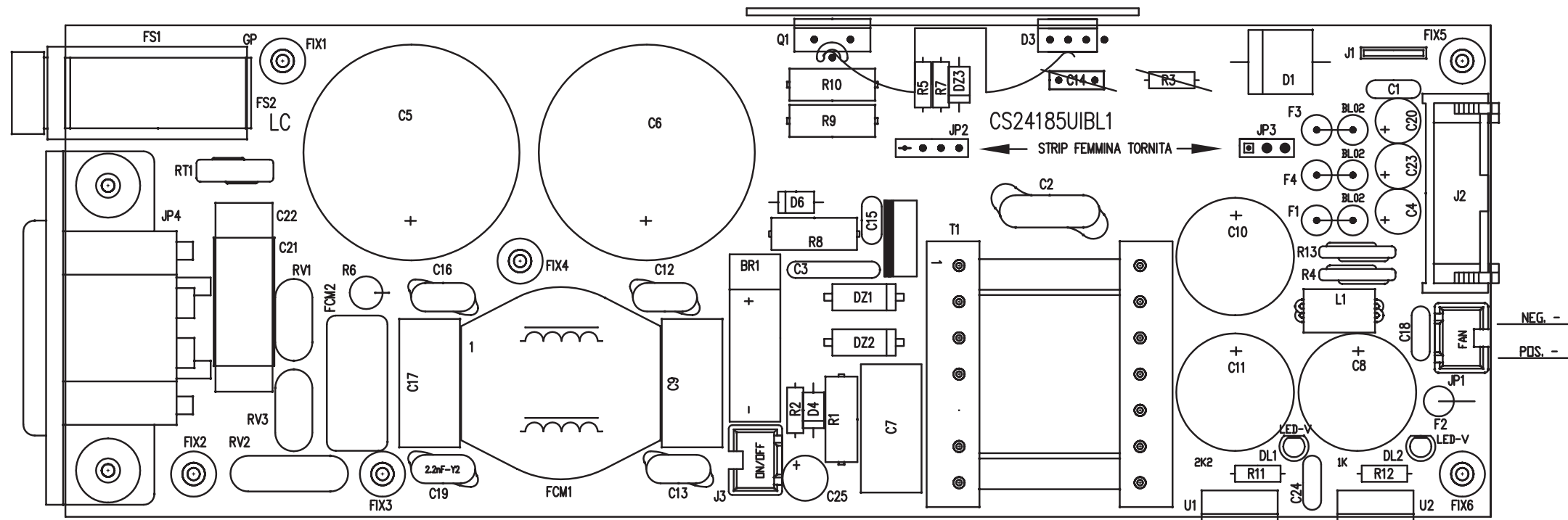
Nome Progetto: Trasmettitore ponte radio 1U		Pagina: 1 di 1	Size: A3
Autore: Ucelli / Tommasi	Data: Wednesday, September 07, 2011	Codice Progetto: RVR040	
Nome PC in Rete: \\	Revisione: 0.1	Nome Parte: Scheda controllo PA GaAsFET	
File/Cartella: /	Autorizzazione:	Codice: SL040BI2002	

SL040BI2002

Scheda controllo PA GaAsFET Revised: Wednesday, September 07, 2005
 SL040BI2002 Revision: 0.1
 Trasmettitore ponte radio 1U
 RVR040

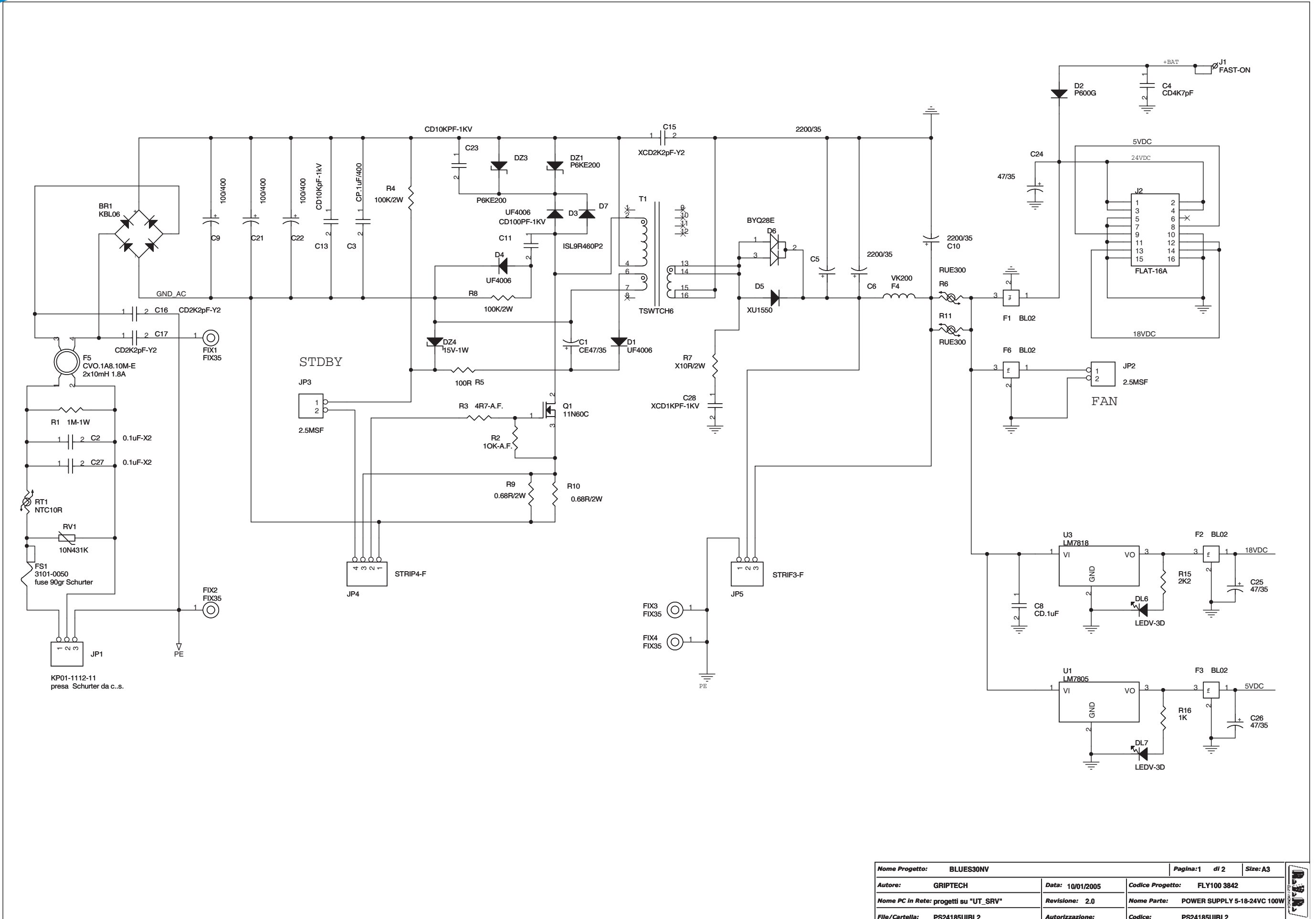
Item	Quantity	Reference	Part	Description	Codice	Acquisti
1	1	CS1	CSBI0035R2	Circuito stampato	CSBI0035R2	
2	25	C2, C5, C6, C7, C8, C10, C16, C23, C25, C29, C31, C32, C35, C36, C37, C38, C39, C40, C42, C43, C44, C45, C46, C48, C57	0.1uF	Cond. SMD 0805	CCC085104KXC	FEP
3	2	C3, C34	10uF/16V	Cond. Elett. SMD d. 4mm	CES106A160	FEP
4	1	C9	4.7nF	Cond. SMD 0805	CCC085472KXC	FEP
5	1	C11	100uF/35V	Cond. Elett. SMD d. 6.3mm	CES107D350	FEP
6	1	C12	470nF	Cond. SMD 0805	CCC085474KXC	FEP
7	3	C13, C14, C15	220uF/16V	Cond. Elett. SMD d. 6.3mm	CES227E160	FEP
8	9	C17, C18, C19, C20, C21, C22, C24, C41, C58	10uF/16V	Cond. Elett. SMD tant. size C	CET106C160SM	FEP
9	1	C26	47nF	Cond. SMD 0805	CCC085473KXC	FEP
10	3	C27, C28, C30	NC	Cond. SMD 0805		
11	1	C33	10uF/35V	Cond. Elett. SMD d. 5mm	CES106B350	FEP
12	7	C49, C50, C51, C52, C53, C54, C55	100pF	Cond. SMD 0805	CCC085101JCC	FEP
13	1	C56	470pF	Cond. SMD 0805	CCC085471JCC	FEP
14	8	C59, C60, C61, C62, C63, C64, C65, C66	NC	Cond. SMD 1210		
15	3	DL1, DL2, DL3	LED-G	LED SMD 0805	LEDV0805	
16	1	DZ1	LM4040-10	Diodi Zener SMD SOT23	CILLM4040-10	FEP
17	7	D1, D5, D6, D11, D15, D16, D17	BAS32	MINIMELF SMD Diode	DISBAS32MINI	FEP
18	3	D3, D14, D18	5V1	MINIMELF SMD Zener Diode	DIZ5V1MINI	FEP
19	1	D7	12V	MINIMELF SMD Zener Diode	DIZ12VMINI	FEP
20	1	D8	3V3	MINIMELF SMD Zener Diode	DIZ3V3MINI	FEP
21	5	D9, D10, D12, D19, D20	HSMS2800	Diode Schottky SOT23	DISHSMS2800	FEP
22	1	D13	BAV70	Doppio Diode SMD SOT23	DISBAV70	FEP
23	4	FIX1, FIX2, FIX3, FIX4	FIX35	Foro fissaggio 3.5mm		
24	2	JP1, JP2	CN16PD	Connettore 16 poli Flat cs	CNTMCS16A	
25	1	JP3	CN10PD	Connettore 10 poli Flat cs	CNTMCS10A	
26	1	L1	2.2uH	Induttanza SMD 3225 (1210)	IMP2U2S120	
27	2	OPT1, OPT2	P181	Optoisolatore SMD SO6	LEDTLP181	
28	3	Q2, Q6, Q7	BC847	Trans. NPN SOT23	TRNBC847	FEP
29	1	Q3	BCR135	Trans./Res. NPN SOT23	TRNBCR135	FEP
30	1	Q5	BC857	Trans. PNP SOT23	TRNBC857	FEP
31	1	Q8	IRF9540NS	Trans. FET P D2PAK	TRNIRF9540NS	FEP
32	1	RV1	5K	Trimmer SMD	RVT4X4K0005V	
33	2	RV2, RV3	2K	Trimmer Rg V 3296W	RVT3296WK002	
34	3	R3, R19, R81	2K20	Res. SMD 0805	RCH085F002K2	FEP
35	1	R4	18K0	Res. SMD 0805	RCH085F0018K	FEP
36	3	R5, R15, R78	47H0	Res. SMD 0805	RCH085F0047H	FEP
37	1	R7	11K5	Res. SMD 0805	RCH085F011K5	FEP
38	3	R8, R77, R79	2K70	Res. SMD 0805	RCH085F002K7	FEP
39	6	R9, R27, R43, R56, R58, R82	NC	Res. SMD 0805		
40	2	R10, R23	0H0	Res. SMD 0805	RCH085F0000H	FEP
41	9	R11, R16, R37, R53, R55, R62, R63, R76, R80	1K0	Res. SMD 0805	RCH085F0001K	FEP
42	1	R12	220H0	Res. SMD 0805	RCH085F0220H	FEP
43	3	R14, R67, R72	3K30	Res. SMD 0805	RCH085F003K3	FEP
44	4	R17, R30, R46, R69	4K70	Res. SMD 0805	RCH085F004K7	FEP
45	21	R18, R20, R21, R22, R25, R26, R29, R31, R33, R34, R38, R40, R41, R42, R44, R52, R54, R64, R66, R71, R75	10K0	Res. SMD 0805	RCH085F0010K	FEP
46	2	R24, R60	1M0	Res. SMD 0805	RCH085F0001M	FEP
47	1	R28	220K0	Res. SMD 0805	RCH085F0220K	FEP
48	5	R32, R39, R45, R51, R57	100H0	Res. SMD 0805	RCH085F0100H	FEP
49	1	R35	7K87	Res. SMD 0805	RCH085F07K87	FEP
50	2	R36, R50	10K2	Res. SMD 0805	RCH085F010K2	FEP
51	2	R47, R65	56K0	Res. SMD 0805	RCH085F0056K	FEP
52	3	R48, R84, R85	470H0	Res. SMD 0805	RCH085F0470H	FEP
53	1	R49	78K7	Res. SMD 0805	RCH085F078K7	FEP
54	2	R59, R61	22K0	Res. SMD 0805	RCH085F0022K	FEP
55	1	R68	6K8	Res. SMD 0805	RCH085F006K8	FEP
56	1	R70	100K0	Res. SMD 0805	RCH085F0100K	FEP
57	3	R73, R74, R83	1K50	Res. SMD 0805	RCH085F001K5	FEP
58	1	SH1	NC	Shunt passo 15.2mm fori 2mm		
59	2	SH2, SH3	0H047	Shunt SMD 2512	RSH4.5A0H047	FEP
60	1	TP1	NC	Test point		
61	1	U2	LM358SMD	Dual Op. SMD SO8	CILLM358SMD	
62	7	U4, U5, U6, U7, U8, U9, U13	ICL7660CBA	Switched capacitor supply inverter	CILICL7660SM	
63	1	U14	78M09	Stabilizzatore SMD DPAK	CIL78M09DPAK	
64	1	U15	MAX4080SASA	Current sense amplif SO8	CILMAX4080SA	
65	3	U16, U17, U18	TL074SMD	Quad Op. SMD SO14	CILTL074SMD	

PS24185UIBL2



NOME PROGETTO: BLUES30NV	NOME PARTE: Power Supply Layout
AUTORE: Griptech	DATA: 16/03/2005
ARCHIVIAZIONE ELETTRONICA: "CARTELLA PROGETTI" SU "UT_SRV"	REVISIONE: 1.0
MATERIALE: /	SCALA: 1:1
TRATTAMENTO: /	SIZE: A4
PROFILO: /	PAGINA: 1 DI 2
STATO: /	CODICE PROGETTO: FLY100 3842
	CODICE DISEGNO: PS24185UIBL2

PS24185UIBL2

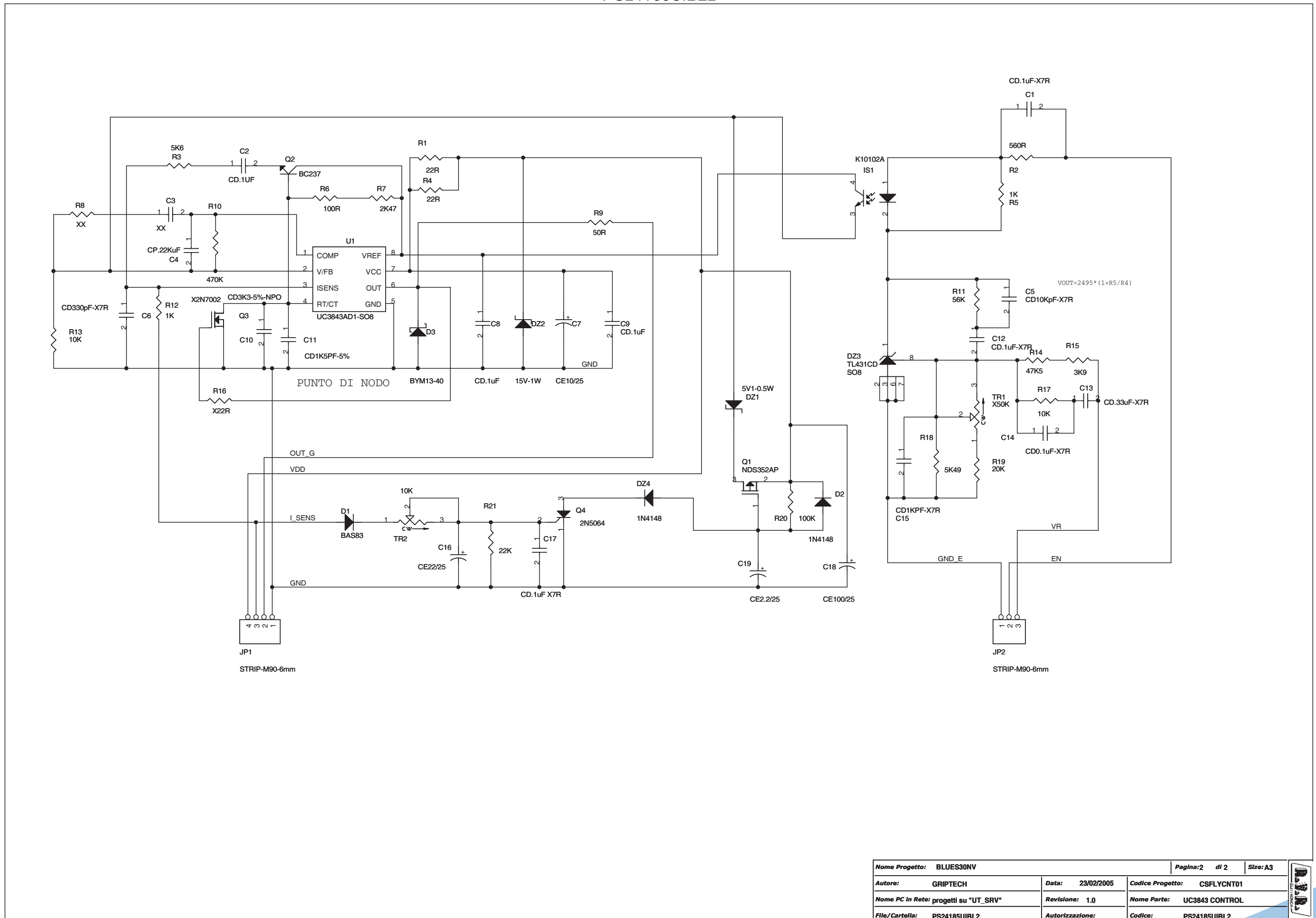


PS24185UIBL2

Revised: Wednesday, March 16, 2005
Revision:

Item	Quantity	Reference	Part
1	1	BR1	KBL06
2	2	C2, C27	0.1uF-X2
3	1	C3	CP.1uF/400
4	1	C4	CD4K7pF
5	3	C5, C6, C10	2200/35
6	1	C8	CD.1uF
7	3	C9, C21, C22	100/400
8	1	C11	CD100PF-1KV
9	2	C13, C23	CD10KPF-1KV
10	1	C15	XCD2K2pF-Y2
11	2	C16, C17	CD2K2pF-Y2
12	3	C24, C25, C26	47/35
13	1	C28	XCD1KPF-1KV
14	2	DL6, DL7	LEDV-3D
15	2	DZ1, DZ3	P6KE200
16	1	DZ4	15V-1W
17	3	D1, D3, D4	UF4006
18	1	D2	P600G
19	1	D5	XU1550
20	1	D6	BYQ28E
21	1	D7	ISL9R460P2
22	1	FS1	3101-0050
23	4	F1, F2, F3, F6	BL02
24	1	F5	CVO.1A8.10M-E
25	1	JP1	KP01-1112-11
26	2	JP2, JP3	2.5MSF
27	1	J1	FAST-ON
28	1	J2	FLAT-16A
29	1	RT1	NTC10R
30	1	RV1	10N431K
31	1	R1	1M-1W
32	1	R2	10K-A.F.
33	1	R3	4R7-A.F.
34	2	R4, R8	100K/2W
35	1	R5	100R
36	1	R7	X10R/2W
37	2	R9, R10	0.68R/2W
38	1	R15	2K2
39	1	R16	1K
40	1	T1	TSWTCH6
41	1	U1	LM7805
42	1	U3	LM7818

PS24185UIBL2



Nome Progetto:	BLUES30NV	Pagina:	2 di 2	Size:	A3
Autore:	GRIPTECH	Data:	23/02/2005	Codice Progetto:	CSFLYCNT01
Nome PC in Rete:	progetti su "UT_SRV"	Revisione:	1.0	Nome Parte:	UC3843 CONTROL
File/Cartella:	PS24185UIBL2	Autorizzazione:		Codice:	PS24185UIBL2

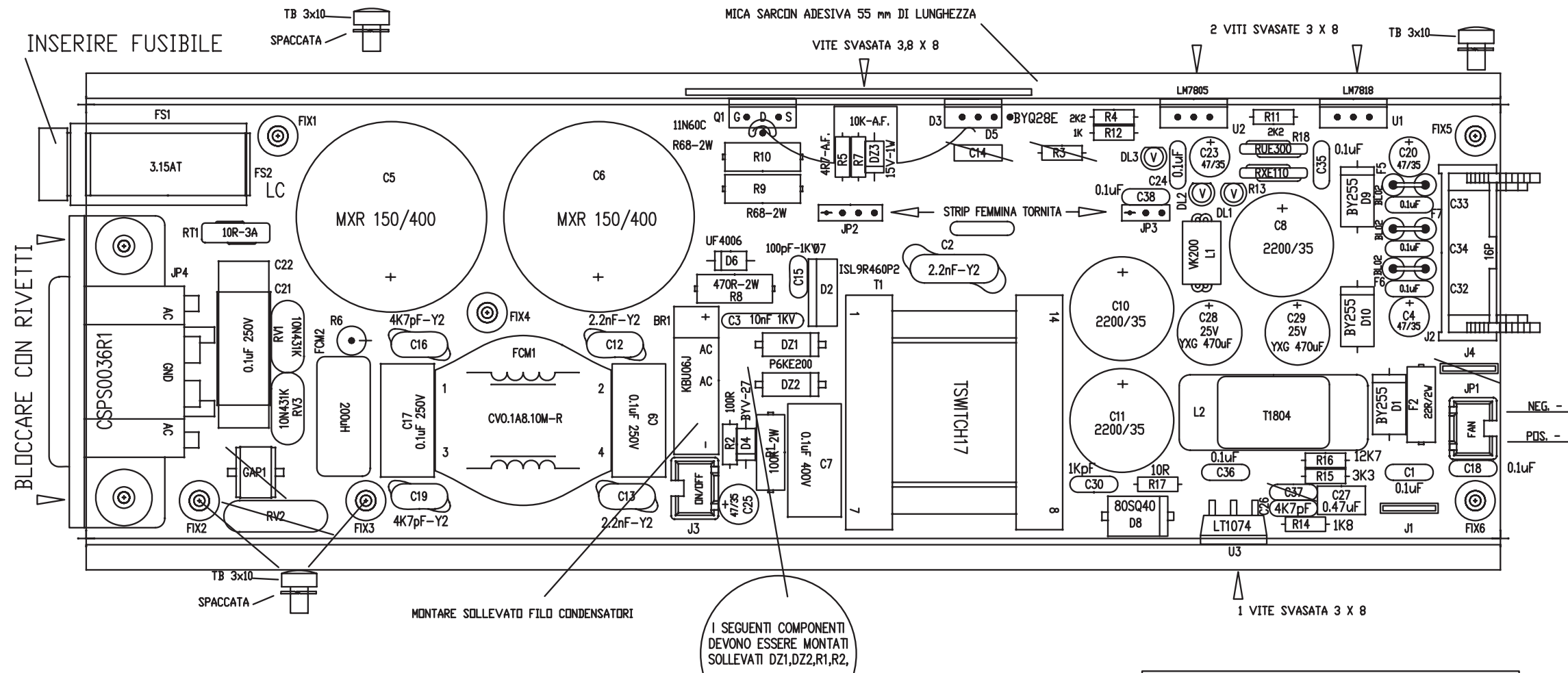
PS24185UIBL2

Revised: Wednesday, March 16, 2005
Revision:

Item	Quantity	Reference	Part
1	2	C1, C12	CD.1uF-X7R
2	3	C2, C8, C9	CD.1uF
3	2	C3, R8	XX
4	1	C4	CP.22KuF
5	1	C5	CD10KpF-X7R
6	1	C6	CD330pF-X7R
7	1	C7	CE10/25
8	1	C10	CD3K3-5%-NPO
9	1	C11	CD1K5PF-5%
10	1	C13	CD.33uF-X7R
11	1	C14	CD0.1uF-X7R
12	1	C15	CD1KPF-X7R
13	1	C16	CE22/25
14	1	C17	CD.1uF X7R
15	1	C18	CE100/25
16	1	C19	CE2.2/25
17	1	DZ1	5V1-0.5W
18	1	DZ2	15V-1W
19	1	DZ3	TL431CD
20	2	D2, DZ4	1N4148
21	1	D1	BAS83
22	1	D3	BYM13-40
23	1	IS1	K10102A
24	2	JP1, JP2	STRIP-M90-6mm
25	1	Q1	NDS352AP
26	1	Q2	BC237
27	1	Q3	X2N7002
28	1	Q4	2N5064
29	2	R1, R4	22R
30	1	R2	560R
31	1	R3	5K6
32	2	R5, R12	1K
33	1	R6	100R
34	1	R7	2K47
35	1	R9	50R
36	1	R10	470K
37	1	R11	56K
38	3	TR2, R13, R17	10K
39	1	R14	47K5
40	1	R15	3K9
41	1	R16	X22R
42	1	R18	5K49
43	1	R19	20K
44	1	R20	100K
45	1	R21	22K
46	1	TR1	X50K
47	1	U1	UC3843AD1-SO8

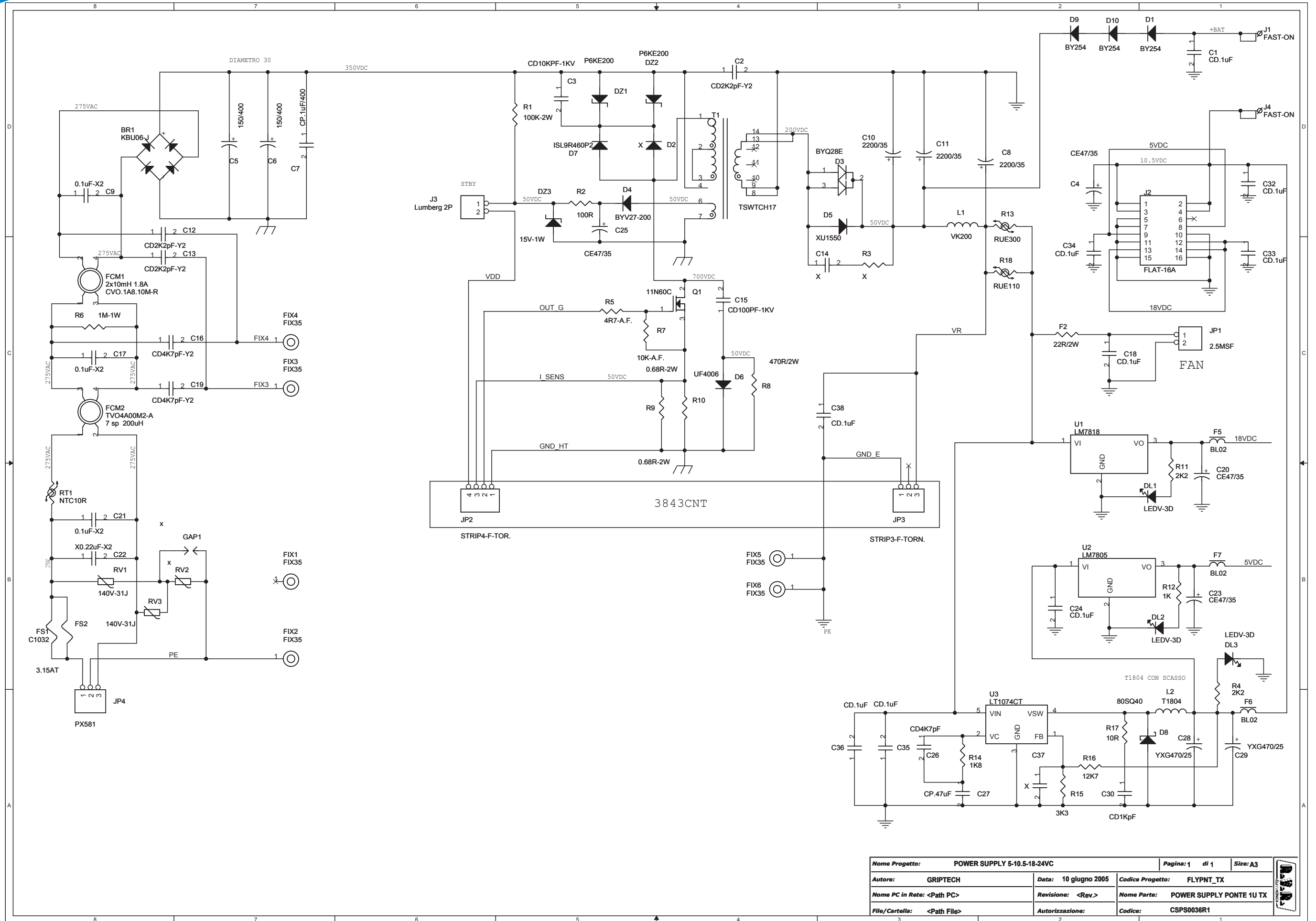
FLYPTRL1U

PIANO DI MONTAGGIO FLYPNT TX



ARCHIVIO:	X:\WORKDWG\
TITLE	POWER SUPPLY PNT TX
DOCUMENT NUMBER	FLYPNTTX_MNT. DWG
DATE:	9 GIUGNO 2005

FLYPTRL1U



Nome Progetto: POWER SUPPLY 5-10.5-18-24VC		Pagina: 1 di 1	Size: A3
Autore: GRIPTECH	Data: 10 giugno 2005	Codice Progetto: FLYPNT_TX	
Nome PC in Rete: <Path PC>	Revisione: <Rev.>	Nome Parte: POWER SUPPLY PONTE 1U TX	
File/Cartella: <Path File>	Autorizzazione:	Codice: CSPS0036R1	

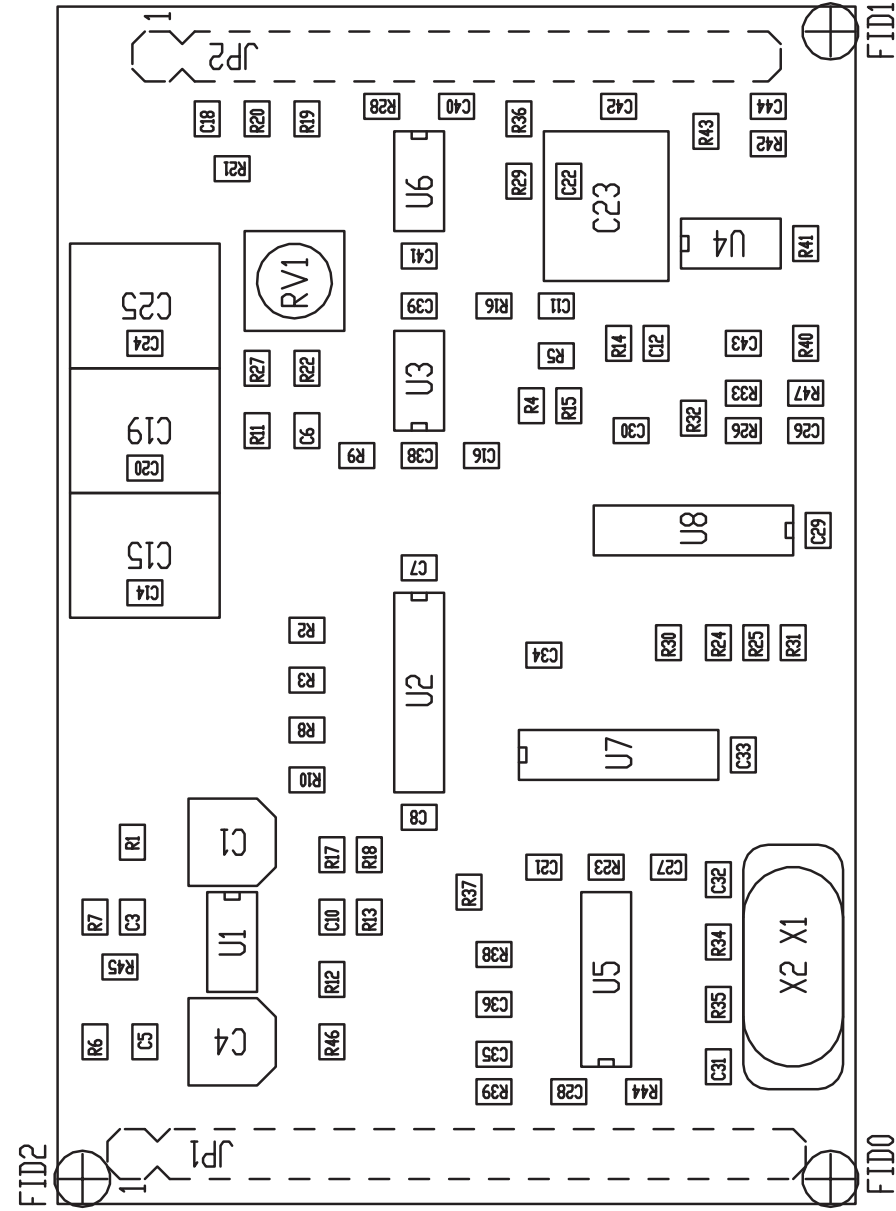
FLYPTRL1U

Revised: Friday, September 09, 2005
Revision:

Item	Quantity	Reference	Part
1	1	BR1	KBU06-J
2	9	C1C18C24C32C33C34C35C36C38	CD.1uF
3	3	C2C12C13	CD2K2pF-Y2
4	1	C3	CD10KPF-1KV
5	4	C4C20C23C25	CE47/35
6	2	C6C5	150/400
7	1	C7	CP.1uF/400
8	3	C8C10C11	2200/35
9	3	C9C17C21	0.1uF-X2
10	6	GAP1RV2D2R3C14C37	x
11	1	C15	CD100PF-1KV
12	2	C19C16	CD4K7pF-Y2
13	1	C22	X0.22uF-X2
14	1	C26	CD4K7pF
15	1	C27	CP.47uF
16	2	C29C28	YXG470/25
17	1	C30	CD1KpF
18	3	DL1DL2DL3	LEDV-3D
19	2	DZ2DZ1	P6KE200
20	1	DZ3	15V-1W
21	3	D1D9D10	BY254
22	1	D3	BYQ28E
23	1	D4	BYV27-200
24	1	D5	XU1550
25	1	D6	UF4006
26	1	D7	ISL9R460P2
27	1	D8	80SQ40
28	1	FCM1	CVO.1A8.10M-R
29	1	FCM2	TVO4A00M2-A
30	6	FIX1FIX2FIX3FIX4FIX5FIX6	FIX35
31	1	FS1	C1032
32	1	FS2	3.15AT
33	1	F2	22R/2W
34	3	F5F6F7	BL02
35	1	JP1	2.5MSF
36	1	JP2	STRIP4-F-TOR.
37	1	JP3	STRIP3-F-TORN.
38	1	JP4	PX581
39	2	J4J1	FAST-ON
40	1	J2	FLAT-16A
41	1	J3	Lumberg 2P
42	1	L1	VK200
43	1	L2	T1804
44	1	Q1	11N60C
45	1	RT1	NTC10R
46	2	RV1RV3	140V-31J
47	1	R1	100K-2W
48	1	R2	100R
49	2	R4R11	2K2
50	1	R5	4R7-A.F.
51	1	R6	1M-1W

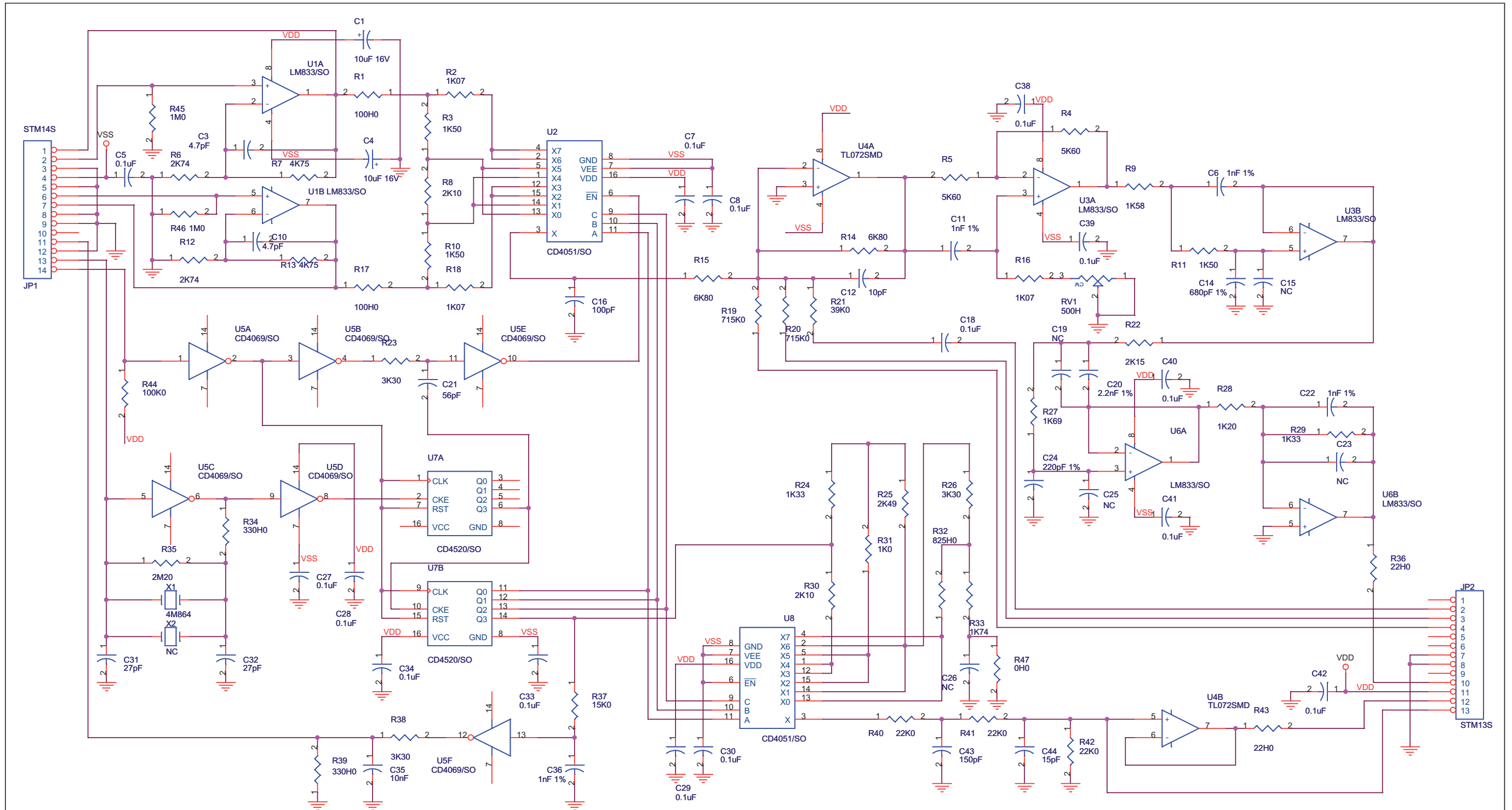
Item	Quantity	Reference	Part
52	1	R7	10K-A.F.
53	1	R8	470R/2W
54	2	R9R10	0.68R-2W
55	1	R12	1K
56	1	R13	RUE300
57	1	R14	1K8
58	1	R15	3K3
59	1	R16	12K7
60	1	R17	10R
61	1	R18	RUE110
62	1	T1	TSWTCH17
63	1	U1	LM7818
64	1	U2	LM7805
65	1	U3	LT1074CT

SLCTC30V03



	NOME PROGETTO: PTX-LCD	NOME PARTE: CODER CARD
	AUTORE: A. TOMMASI	DATA: 08/04/2004
ARCHIVIAZIONE ELETTRONICA: \\VRVUT\	CODICE PROGETTO: 011	REVISIONE: 1.0
MATERIALE:	IRATTAMENTO:	SCALA: 2:1
	PROFILO:	SIZE: A4
	STATO: ESECUTIVO	PAGINA: 1 DI 1
		CODICE DISEGNO: SLCTC30V03

SLCTC30V03



CS1
CSCTC30V03

Nome Progetto: PTX-LCD	Pagina: 1 di 1	Size: A3
Autore: A. Tommasi	Data: 15/09/2005	Codice Progetto: 011
Nome PC in Rete: \RVRUT\	Revisione: 1.1	Nome Parte: Coder Card
File/Cartella:	Autorizzazione:	Codice: SLCTC30V03

SLCTC30V03

Coder Card Revised: Thursday, September 15, 2005
SLCTC30V03 Revision: 1.1

PTX-LCD

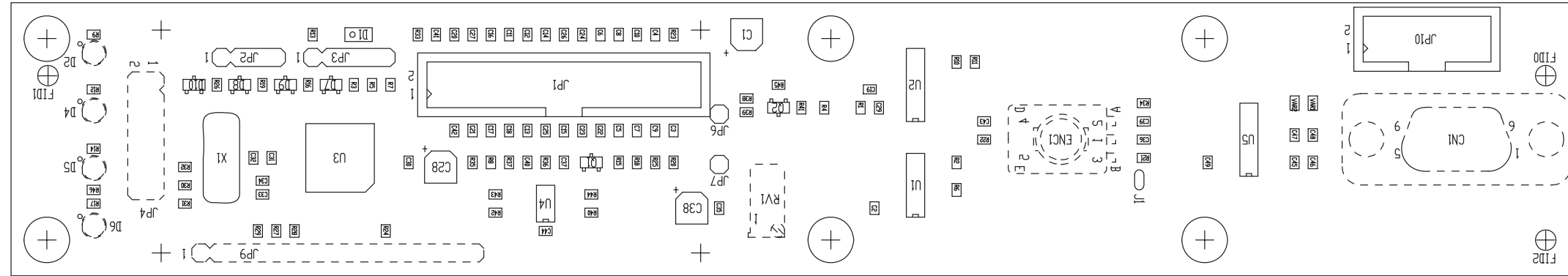
011


A. Tommasi

Item	Q.ty	Reference	Part	Description	
1	1	CS1	CSCTC30V03	Circuito stampato	
2	2	C1, C4	10uF 16V	Cond. Elett. SMD d. 4mm	
3	2	C3, C10	4.7pF	Cond. SMD 0805	
4	15	C5, C7, C8, C18, C27, C28, C29, C30, C33, C34, C38, C39, C40, C41, C42	0.1uF	Cond. SMD 0805	
5	4	C6, C11, C22, C36	1nF 1%	Cond. SMD 0805 COG	Nota 1
6	1	C12	10pF	Cond. SMD 0805	
7	1	C14	680pF 1%	Cond. SMD 0805 COG	Nota 1
8	4	C15, C19, C23, C25	NC	Cond. Poliestere p 5mm (5*7mm)	
9	1	C16	100pF	Cond. SMD 0805	
10	1	C20	2.2nF 1%	Cond. SMD 0805 COG	Nota 1
11	1	C21	56pF	Cond. SMD 0805	
12	1	C24	220pF 1%	Cond. SMD 0805 COG	Nota 1
13	1	C26	NC	Cond. SMD 0805	
14	2	C31, C32	27pF	Cond. SMD 0805	
15	1	C35	10nF	Cond. SMD 0805	
16	1	C43	150pF	Cond. SMD 0805	
17	1	C44	15pF	Cond. SMD 0805	
18	1	JP1	STM14S	Strip maschio 14 pin	
19	1	JP2	STM13S	Strip maschio 13 pin	
20	1	RV1	500H	Trimmer SMD	
21	2	R1, R17	100H0	Res. SMD 0805	
22	3	R2, R16, R18	1K07	Res. SMD 0805	
23	3	R3, R10, R11	1K50	Res. SMD 0805	
24	2	R4, R5	5K60	Res. SMD 0805	
25	2	R6, R12	2K74	Res. SMD 0805	
26	2	R7, R13	4K75	Res. SMD 0805	
27	2	R8, R30	2K10	Res. SMD 0805	
28	1	R9	1K58	Res. SMD 0805	
29	2	R14, R15	6K80	Res. SMD 0805	
30	2	R19, R20	715K0	Res. SMD 0805	
31	1	R21	39K0	Res. SMD 0805	
32	1	R22	2K15	Res. SMD 0805	
33	3	R23, R26, R38	3K30	Res. SMD 0805	
34	2	R24, R29	1K33	Res. SMD 0805	
35	1	R25	2K49	Res. SMD 0805	
36	1	R27	1K69	Res. SMD 0805	
37	1	R28	1K20	Res. SMD 0805	
38	1	R31	1K0	Res. SMD 0805	
39	1	R32	825H0	Res. SMD 0805	
40	1	R33	1K74	Res. SMD 0805	
41	2	R34, R39	330H0	Res. SMD 0805	
42	1	R35	2M20	Res. SMD 0805	
43	2	R36, R43	22H0	Res. SMD 0805	
44	1	R37	15K0	Res. SMD 0805	
45	3	R40, R41, R42	22K0	Res. SMD 0805	
46	1	R44	100K0	Res. SMD 0805	
47	2	R45, R46	1M0	Res. SMD 0805	
48	1	R47	0H0	Res. SMD 0805	
49	3	U1, U3, U6	LM833/SO	Dual Op. SMD SO8	
50	2	U2, U8	CD4051/SO	Analog Switch SMD SO16	
51	1	U4	TL072SMD	Dual Op. SMD SO8	
52	1	U5	CD4069/SO	Hex inverter SO14	
53	1	U7	CD4520/SO	Dual binary counter	Nota 2
54	1	X1	4M864	Quarzo SMD HC49SMD	
55	1	X2	NC	Quarzo HC18	

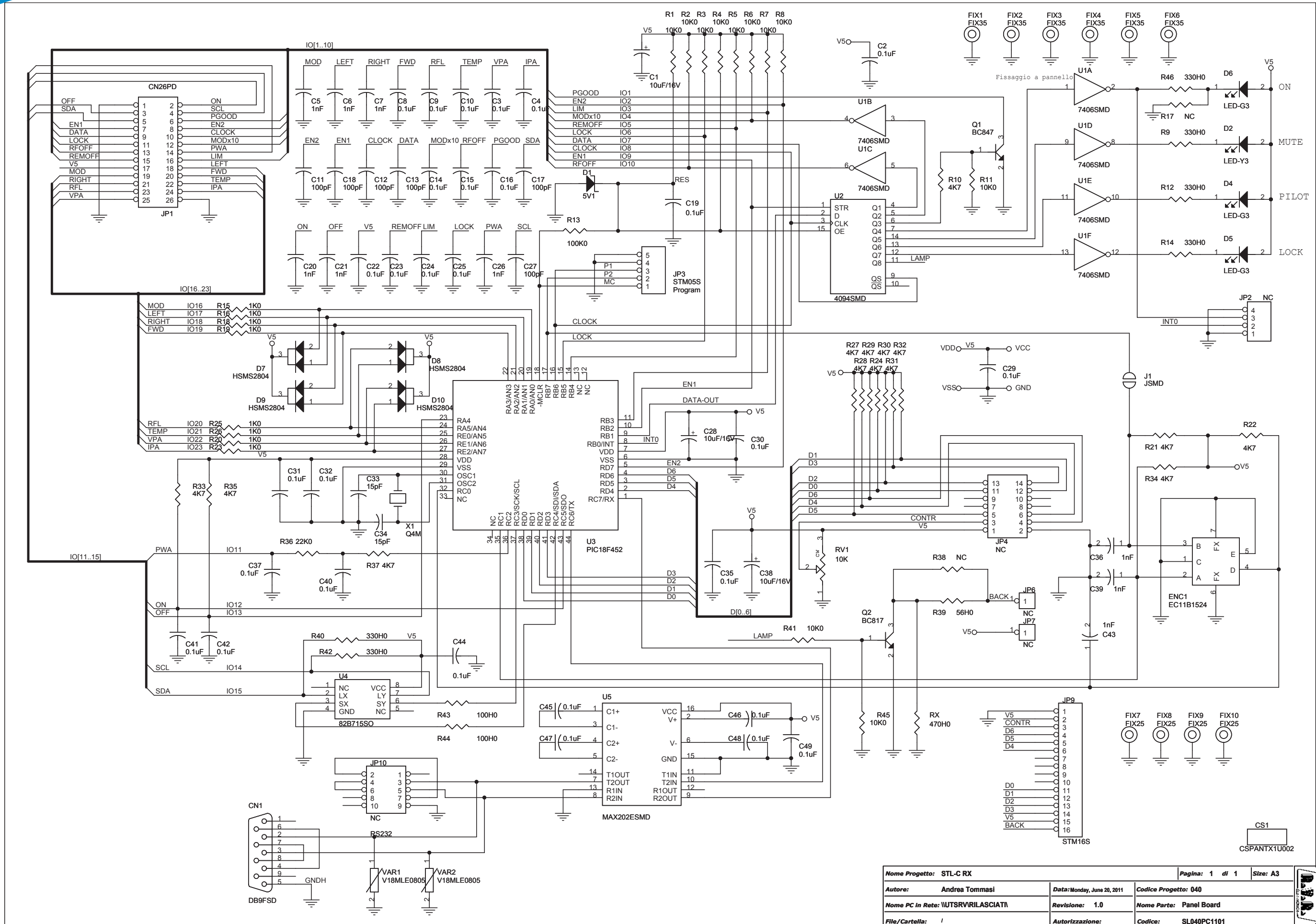
Nota 1	Attenzione COG vanno bene anche al 2%
Nota 2	Non montare PHILIPS
	Tutte le resistenze vanno al 1%
	Tutti i condensatori dove il valore lo consente vogliono NP0

SL040PC1101



	NOME PROGETTO: PONTE 1U	NOME PARTE: PANEL BOARD
AUTORE: TOMMASI	DATA: 13/07/2005	REVISIONE: 1.0
ARCHIVIAZIONE ELETTRONICA: "CARTELLA PROGETTI" SU "UT_SRV"	SCALA: 1:1	SIZE: A4
MATERIALE: <>	CODICE PROGETTO: 040	PAGINA: 1 DI 1
IRATTAMENTO: <>	CODICE DISEGNO: SL040PC1101	STATO: PROGETTUALE
	PROFILO: <>	

SL040PC1101



Nome Progetto: STL-C RX		Pagina: 1 di 1		Size: A3
Autore: Andrea Tommasi		Data: Monday, June 20, 2011	Codice Progetto: 040	
Nome PC in Rete: \UTSRV\RILASCIATI		Revisione: 1.0	Nome Parte: Panel Board	
File/Cartella: /		Autorizzazione:	Codice: SL040PC1101	

SL040PC1101

Panel Board - SL040PC1101
06/03/2006 Revision: 1.0
STL-C RX
040

Andrea Tommasi

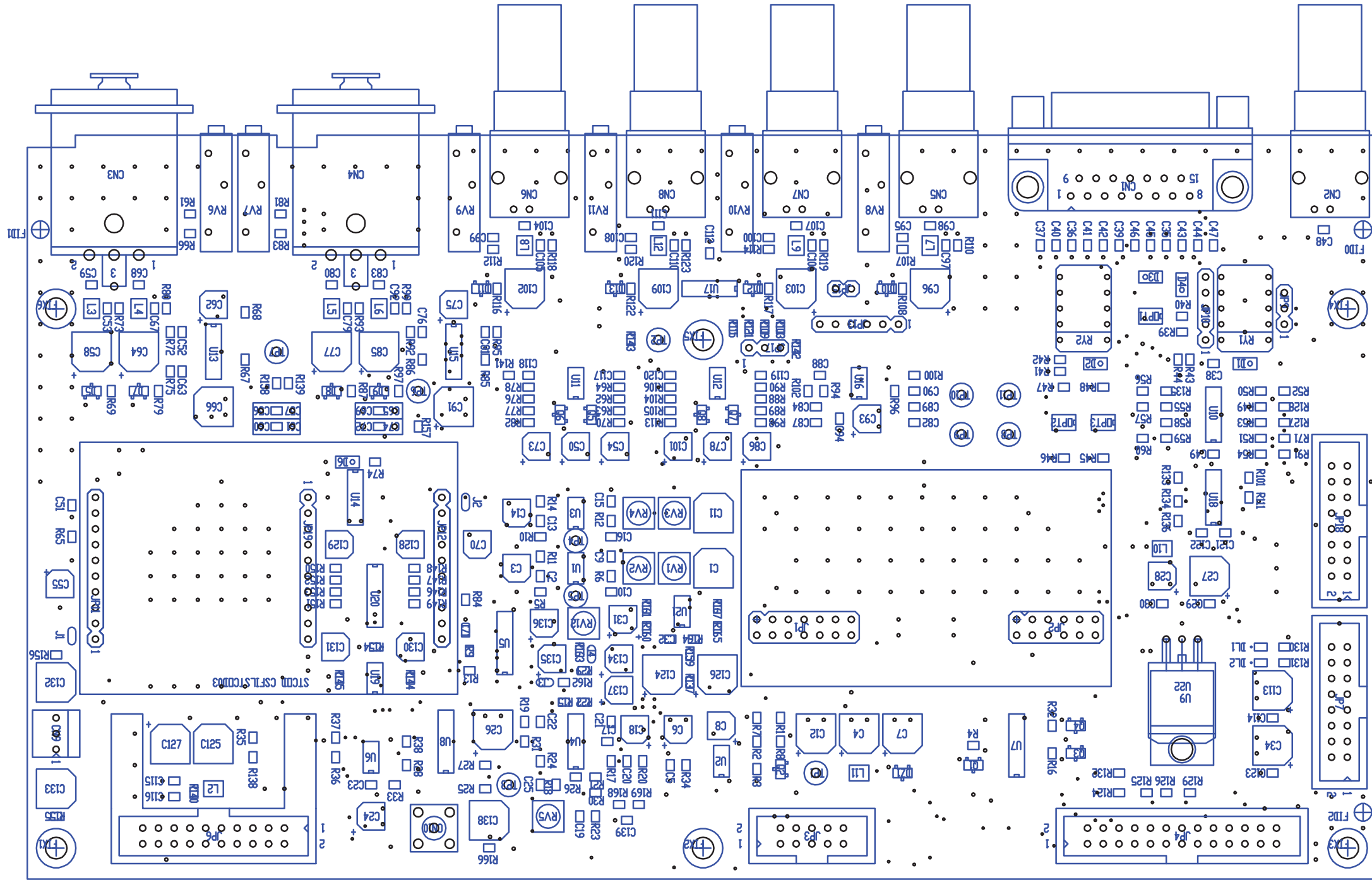
Item	Quantity	Reference	Part	Description	Code
1	1	CN1	DB9FSD	Connettore DB9 femm. cs	CNTDB9FCSD1
2	1	CS1	CSPANTX1U002	Circuito stampato	CSPANTX1U002
3	3	C1, C28, C38	10uF/16V	Cond. Elett. SMD d. 4mm	CES106A160
4	29	C2, C3, C4, C8, C9, C10, C14, C15, C16, C19, C22, C23, C24, C25, C29, C30, C31, C32, C35, C37, C40, C41, C42, C44, C45, C46, C47, C48, C49	0.1uF	Cond. SMD 0805	CCC085104KXC
5	9	C5, C6, C7, C20, C21, C26, C36, C39, C43	1nF	Cond. SMD 0805	CCC085102KXC
6	6	C11, C12, C13, C17, C18, C27	100pF	Cond. SMD 0805	CCC085101JCC
7	2	C33, C34	15pF	Cond. SMD 0805	CCC085150JCC
8	1	D1	5V1	MINIMELF SMD Zener Diode	DIZ5V1MINI
9	1	D2	LED-Y3	LED dia. 3mm	LEDG03
10	3	D4, D5, D6	LED-G3	LED dia. 3mm	LEDV03
11	4	D7, D8, D9, D10	HSMS2804	Doppio Diodo SMD SOT23	DISHSMS2804
12	1	ENC1	EC11B1524	Incremental encoder ALPS EC11	CMMRALPS
13	6	FIX1, FIX2, FIX3, FIX4, FIX5, FIX6	FIX35	Foro fissaggio	
14	4	FIX7, FIX8, FIX9, FIX10	FIX25	Foro fissaggio 2.5mm	NOTA 2
15	1	JP1	CN26PD	Connettore 26 poli Flat cs	CNTMCS26A
16	1	JP2	NC	Strip maschio 4 pin	
17	1	JP3	STM05S	Strip maschio 5 pin	NOTA 1
18	1	JP4	NC	Strip maschio 14 pin doppia fila	
19	2	JP6, JP7	NC	Strip femmina 1 pin	
20	1	JP9	STM16S	Strip maschio 16 pin	NOTA 1
21	1	JP10	NC	Connettore 10 poli Flat cs	
22	1	J1	JSMC	Pad SMD a saldare	
23	1	Q1	BC847	Trans. NPN SOT23	TRNBC847
24	1	Q2	BC817	Trans. NPN SOT23	TRNBC817
25	1	RV1	10K	Trimmer Rg V 3296W	RVT3296WK010
26	1	RX NOTA 3	470H0	Res. SMD 0805	RCH085F0470H
27	11	R1, R2, R3, R4, R5, R6, R7, R8, R11, R41, R45	10K0	Res. SMD 0805	RCH085F0010K
28	1	R13	100K0	REs. SMD 0805	RCH085F0100K
29	6	R9, R12, R14, R40, R42, R46	330H0	Res. SMD 0805	RCH085F0330H
30	14	R10, R21, R22, R24, R27, R28, R29, R30, R31, R32, R33, R34, R35, R37	4K7	Res. SMD 0805	RCH085F004K7
31	8	R15, R16, R18, R19, R20, R23, R25, R26	1K0	Res. SMD 0805	RCH085F0001K
32	2	R17, R38	NC	Res. SMD 0805	
33	1	R36	22K0	Res. SMD 0805	RCH085F0022K
34	1	R39	56H0	Res. SMD 0805	RCH085F0056H
35	2	R43, R44	100H0	Res. SMD 0805	RCH085F0100H
36	1	U1	7406SMD	Hex inv OC SMD SO14	CID7406S
37	1	U2	4094SMD	Shift Reg. SMD SO16	CIDCD4094S
38	1	U3	PIC18F452	TQFP44 SMD Microprocessor	CIDPIC18F452
39	1	U4	82B715SO	IIC Bus driver SMD SO8	CID82B715S
40	1	U5	MAX202ESMD	RS232 Driver SMD SO16	CIDMX202ESDS
41	2	VAR1, VAR2	V18MLE0805	ESD SMD protector	MOV018V085
42	1	X1	Q4M	Quarzo SMD HC49SMD	QRZ000004MC

NOTA 1 Spezzoni strip maschio, la 16 pin per collegare il display

NOTA 2 Fissare il display con 2 torrette isolate DSTPH6X2.9 montate dalla parte opposta della strip
Il display dovrebbe essere quello BLU APEX RC162051BNHDWB-V1 oppure SDEC (Mectronic) SSC2P16DLNW-E

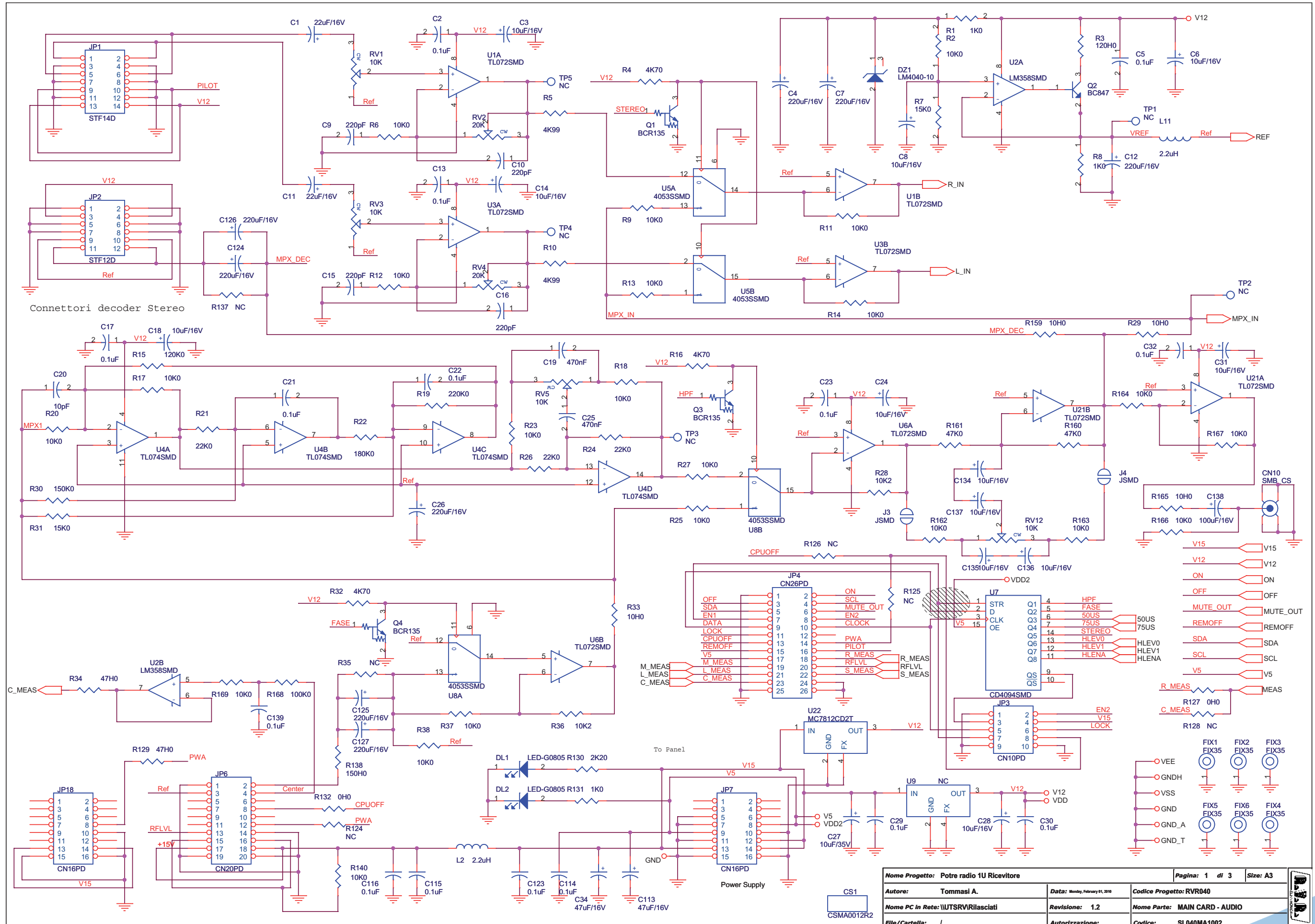
NOTA 3 Montare sotto il CS vedi foto

SL040MA1002



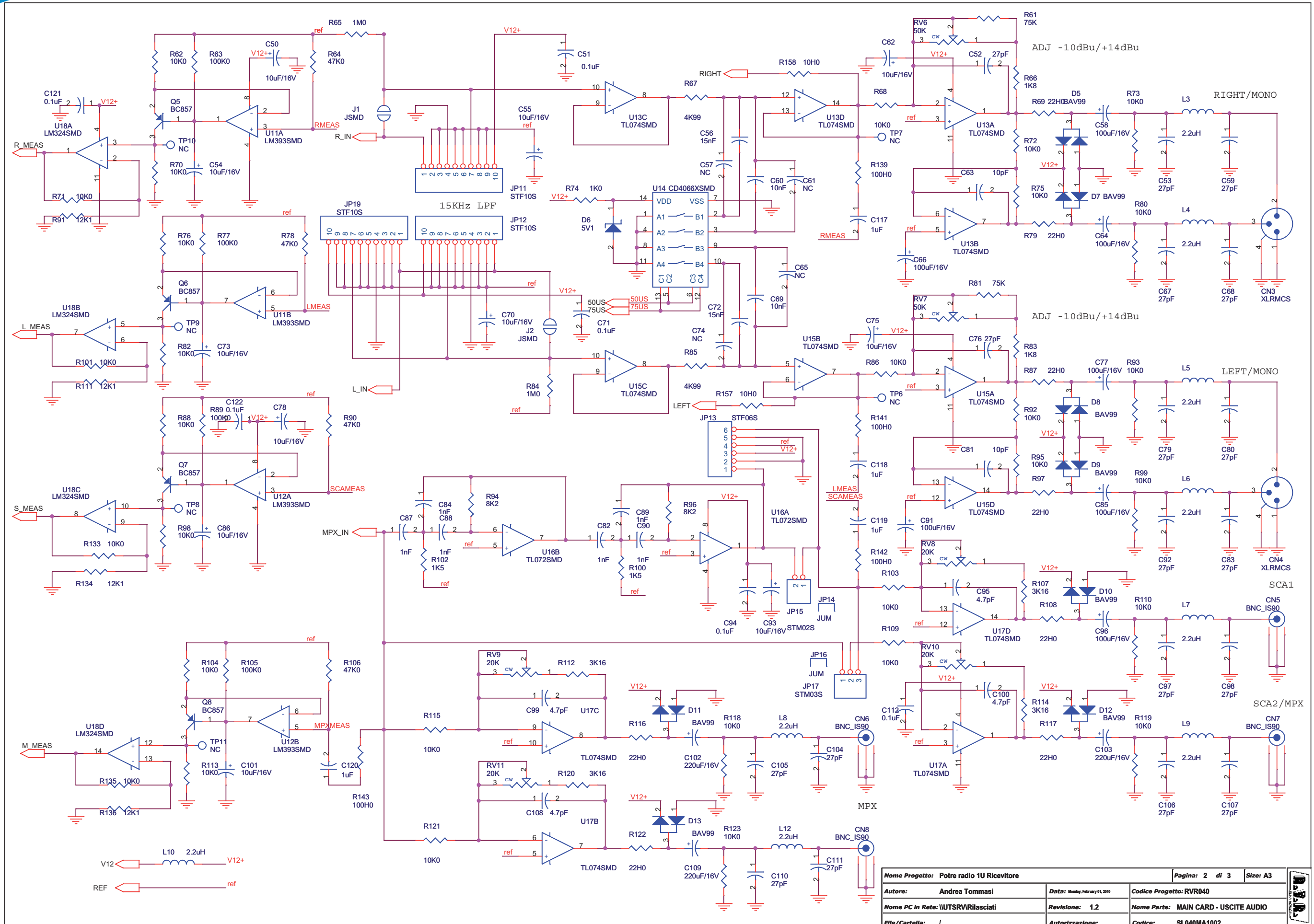
	NOME PROGETTO: PONTE 1U	NOME PARTE: MAIN CARD
	AUTORE: TOMMASI	DATA: 01/02/2010
ARCHIVIAZIONE ELETTRONICA: "CARTELLA PROGETTI" SU "UT_SRV"	CODICE PROGETTO: 040	REVISIONE: 1.1
MATERIALE: <>	IRATTAMENTO: <>	SCALA: 1:1
	PROFILO: <>	SIZE: A4
		PAGINA: 1 DI 1
		CODICE DISEGNO: SL040MA1002
		STATO: PROGETTUALE

SL040MA1002



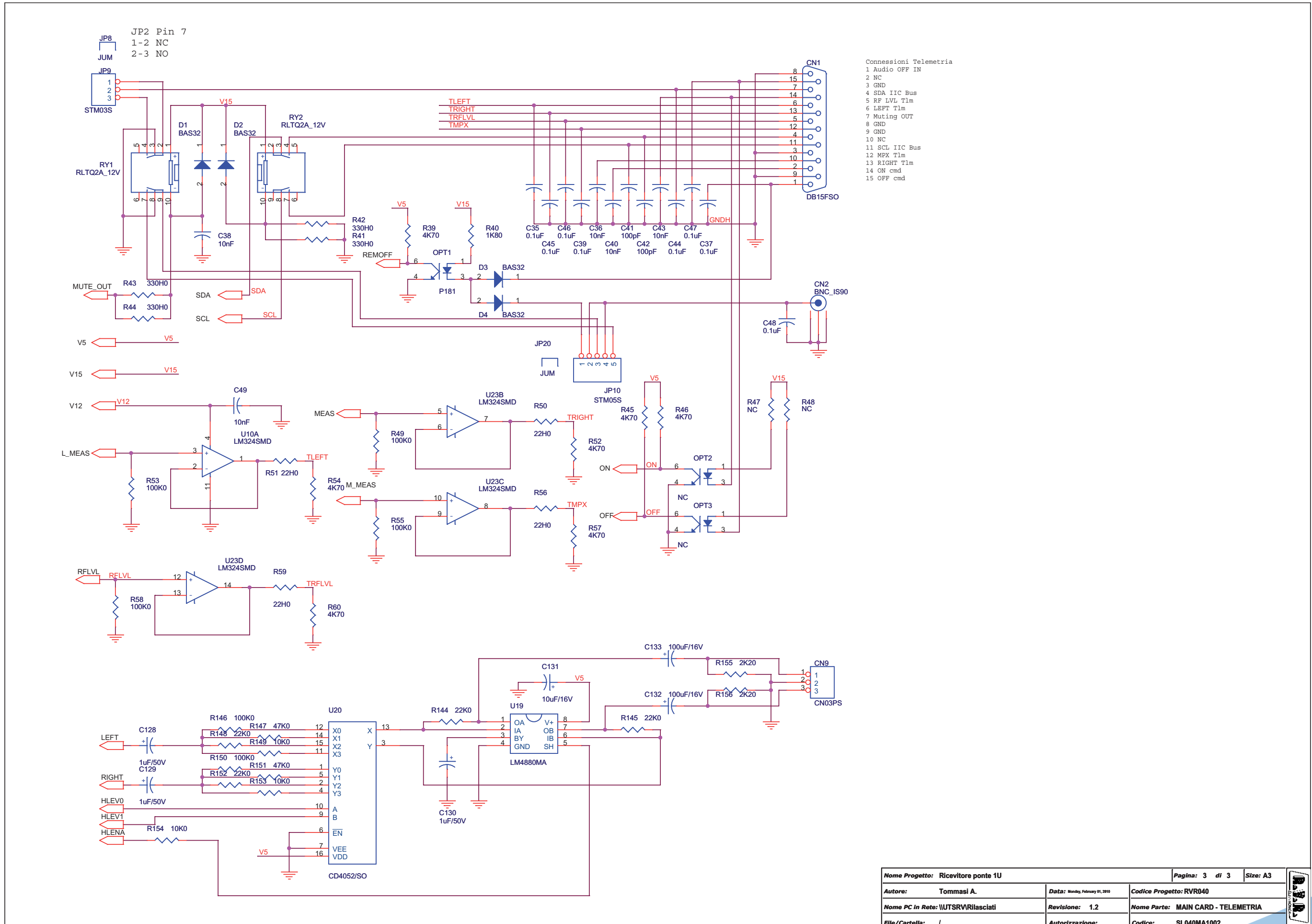
Nome Progetto: Potre radio 1U Ricevitore		Pagina: 1 di 3		Size: A3	
Autore: Tommasi A.	Data: Monday, February 01, 2016	Codice Progetto: RVR040			
Nome PC in Rete: \\\UTSRV\Rilasciati	Revisione: 1.2	Nome Parte: MAIN CARD - AUDIO			
File/Cartella: 1	Autore: Tommasi A.	Codice: SL040MA1002			

SLO40MA1002



Nome Progetto: Potre radio 1U Ricevitore		Pagina: 2 di 3	Size: A3
Autore: Andrea Tommasi	Data: Monday, February 01, 2016	Codice Progetto: RVR040	
Nome PC in Rete: \\\UTSRV\Rilasciati	Revisione: 1.2	Nome Parte: MAIN CARD - USCITE AUDIO	
File/Cartella: /	Autorizzazione:	Codice: SLO40MA1002	

SL040MA1002



Nome Progetto: Ricevitore ponte 1U	Pagina: 3 di 3	Size: A3
Autore: Tommasi A.	Data: Monday, February 01, 2016	Codice Progetto: RVR040
Nome PC in Rete: \\UTSRV\Rilasciati	Revisione: 1.2	Nome Parte: MAIN CARD - TELEMETRIA
File/Cartella: /	Autorizzazione:	Codice: SL040MA1002

SLO40MA1002

Main card Audio Revised: 01/02/2010
 SL040MA1002 Revision: 1.2
 Ponte radio 1U Ricevitore
 RVR040
 Tommasi A.

Item	Quantity	Reference	Part	Description	Codice	Acquisto
1	1	CN1	DB15FSO	Connettore DB15 femm. cs 90°	CNTDB15FCSA	
2	5	CN2, CN5, CN6, CN7, CN8	BNC_IS90	Connettore BNC metallico 90°	CNTBNCFCMSA	
3	2	CN3, CN4	XLRMCS	Connettore XLR mas. cs 90°	CNTXLRMCS3PA	
4	1	CN9	CN03PS	Connettore 3 poli Panduit	CNTMASM3PCS	
5	1	CN10	SMB_CS	Connettore SMB cs	CNTSMBMCS	
6	1	CS1	CSMA0012R2	Circuito stampato	CSMA0012R2	
7	2	C1, C11	22uF/16V	Cond. Elett. SMD d. 6.3mm	CES226B160	FEP
8	29	C2, C5, C13, C17, C21, C22, C23, C29, C30, C32, C35, C37, C39, C44, C45, C46, C47, C48, C51, C71, C94, C112, C114, C115, C116, C121, C122, C123, C139	0.1uF	Cond. SMD 0805	CCC085104KXC	FEP
9	24	C3, C6, C8, C14, C18, C24, C28, C31, C50, C54, C55, C62, C70, C73, C75, C78, C86, C93, C101, C131, C134, C135, C136, C137	10uF/16V	Cond. Elett. SMD d. 4mm	CES106A160	FEP
10	11	C4, C7, C12, C26, C102, C103, C109, C124, C125, C126, C127	220uF/16V	Cond. Elett. SMD d. 6.3mm	CES227E160	FEP
11	4	C9, C10, C15, C16	220pF	Cond. SMD 0805	CCC085221JCC	FEP
12	2	C19, C25	470nF	Cond. SMD 0805	CCC085474KXB	FEP
13	3	C20, C63, C81	10pF	Cond. SMD 0805	CCC085100JCC	FEP
14	1	C27	10uF/35V	Cond. Elett. SMD d. 6.3mm	CES106B350	FEP
15	2	C34, C113	47uF/16V	Cond. Elett. SMD d. 6.3mm	CES476C160	FEP
16	5	C36, C38, C40, C43, C49	10nF	Cond. SMD 0805	CCC085103KXC	FEP
17	2	C41, C42	100pF	Cond. SMD 0805	CCC085101JCC	FEP
18	18	C52, C53, C59, C67, C68, C76, C79, C80, C83, C92, C97, C98, C104, C105, C106, C107, C110, C111	27pF	Cond. SMD 0805	CCC085270JCC	FEP
19	2	C56, C72	15nF	Cond. Poliestere p 5mm	CPE153JC101	
20	4	C57, C61, C65, C74	NC	Cond. SMD 0805 COG		
21	10	C58, C64, C66, C77, C85, C91, C96, C132, C133, C138	100uF/16V	Cond. Elett. SMD d. 6.3mm	CES107C160	FEP
22	2	C60, C69	10nF	Cond. Poliestere p 5mm	CPE103JC101	
23	6	C82, C84, C87, C88, C89, C90	1nF	Cond. SMD 0805	CCC085102KXC	FEP
24	4	C95, C99, C100, C108	4.7pF	Cond. SMD 0805	CCC0854P7JCC	FEP
25	4	C117, C118, C119, C120	1uF	Cond. SMD 0805	CCC085105KYC	FEP
26	3	C128, C129, C130	1uF/50V	Cond. Elett. SMD d. 4mm	CES105A500	FEP
27	2	DL1, DL2	LED-G0805	LED SMD 0805	LEDV0805	
28	1	D21	LM4040-10	Diode Zener SMD SOT23	CILLM4040-10	FEP
29	4	D1, D2, D3, D4	BAS32	MINIMELF SMD Diode	DISBAS32MINI	FEP
30	8	D5, D7, D8, D9, D10, D11, D12, D13	BAV99	Doppio Diode SMD SOT23	DISBAV99	
31	1	D6	5V1	MINIMELF SMD Zener Diode	DIZ5V1MINI	FEP
32	6	FIX1, FIX2, FIX3, FIX4, FIX5, FIX6	FIX35	Foro fissaggio 3.5mm		
33	1	JP1	STF14D	Strip femmina 14 pin doppia fila	CNTSTF07DDB	
34	1	JP2	STF12D	Strip femmina 12 pin doppia fila	CNTSTF06DDB	
35	1	JP3	CN10PD	Connettore 10 poli Flat cs	CNTMCS10A	
36	1	JP4	CN26PD	Connettore 26 poli Flat cs	CNTMCS26A	
37	1	JP6	CN20PD	Connettore 20 poli Flat cs	CNTMCS20A	
38	2	JP7, JP18	CN16PD	Connettore 16 poli Flat cs	CNTMCS16A	
39	4	JP8, JP14, JP16, JP20	JUM	Ponticello Jumper	MINIJUMPER	
40	2	JP9, JP17	STM03S	Strip maschio 3 pin	NOTA 2	
41	1	JP10	STM05S	Strip maschio 5 pin	NOTA 2	
42	3	JP11, JP12, JP19	NC	Strip femmina 10 pin	NOTA 1	
43	1	JP13	STF06S	Strip femmina 6 pin	NOTA 3	FEP
44	1	JP15	STM02S	Strip maschio 2 pin	NOTA 2	
45	4	J1, J2, J3, J4	JSDM	Pad SMD a saldare		
46	11	L2, L3, L4, L5, L6, L7, L8, L9, L10, L11, L12	2.2uH	Induttanza SMD 3225 (1210)	IMP2U2S120	
47	1	OPT1	P181	Optoisolatore SMD SO6	LEDTLP181	
48	2	OPT2, OPT3	NC	Optoisolatore SMD SO6		
49	3	Q1, Q3, Q4	BCR135	Trans./Res. NPN SOT23	TRNBCR135	FEP
50	1	Q2	BC847	Trans. NPN SOT23	TRNBC847	FEP
51	4	Q5, Q6, Q7, Q8	BC857	Trans. PNP SOT23	TRNBC857	FEP
52	4	RV1, RV3, RV5, RV12	10K	Trimmer SMD	RVT4X4K0010V	
53	2	RV2, RV4	20K	Trimmer SMD	RVT4X4K0020V	
54	2	RV6, RV7	50K	Trimmer Rg H 3006	RVT3006PK050	
55	4	RV8, RV9, RV10, RV11	20K	Trimmer Rg H 3006	RVT3006PK020	
56	2	RY1, RY2	RLTQ2A 12V	Rele' TQ2	RLD2V12V05AM	
57	2	R1, R8	1K0	Res. SMD 0805 1%	RCH085F0001K	FEP
58	1	R2	10K0	Res. SMD 0805 1%	RCH085F0010K	FEP
59	1	R3	120H0	Res. SMD 0805 1%	RCH085F0120H	FEP
60	10	R4, R16, R32, R39, R45, R46, R52, R54, R57, R60	4K70	Res. SMD 0805 1%	RCH085F004K7	FEP
61	4	R5, R10, R67, R85	4K99	Res. SMD 0805 1%	RCH085F04K99	FEP
62	54	R6, R9, R11, R12, R13, R14, R17, R18, R20, R23, R25, R27, R37, R38, R62, R68, R70, R71, R72, R73, R75, R76, R80, R82, R86, R88, R92, R93, R95, R98, R99, R101, R103, R104, R109, R110, R113, R115, R118, R119, R121, R123, R133, R135, R140, R149, R153, R154, R162, R163, R164, R166, R167, R169	10K0	Res. SMD 0805 1%	RCH085F0010K	FEP
63	1	R7	15K0	Res. SMD 0805 1%	RCH085F0015K	FEP
64	1	R15	120K0	Res. SMD 0805 1%	RCH085F0120K	FEP

Item	Quantity	Reference	Part	Description	Codice	Acquisto
65	1	R19	220K0	Res. SMD 0805 1%	RCH085F0220K	FEP
66	7	R21, R24, R26, R144, R145, R148, R152	22K0	Res. SMD 0805 1%	RCH085F0022K	FEP
67	1	R22	180K0	Res. SMD 0805 1%	RCH085F0180K	FEP
68	2	R28, R36	10K2	Res. SMD 0805 1%	RCH085F010K2	FEP
69	6	R29, R33, R157, R158, R159, R165	10H0	Res. SMD 0805 1%	RCH085F0010H	FEP
70	1	R30	150K0	Res. SMD 0805 1%	RCH085F0150K	FEP
71	1	R31	15K0	Res. SMD 0805 1%	RCH085F0015K	FEP
72	2	R34, R129	47H0	Res. SMD 0805 1%	RCH085F0047H	FEP
73	8	R35, R47, R48, R124, R125, R126, R128, R137	NC	Res. SMD 0805 1%		
74	1	R40	1K80	Res. SMD 0805 1%	RCH085F001K8	FEP
75	4	R41, R42, R43, R44	330H0	Res. SMD 0805 1%	RCH085F0330H	FEP
76	11	R49, R53, R55, R58, R63, R77, R89, R105, R146, R150, R168	100K0	Res. SMD 0805 1%	RCH085F0100K	FEP
77	12	R50, R51, R56, R59, R69, R79, R87, R97, R108, R116, R117, R122	22H0	Res. SMD 0805 1%	RCH085F0022H	FEP
78	2	R61, R81	75K	Res. SMD 0805 1%	RCH085F0075K	FEP
79	8	R64, R78, R90, R106, R147, R151, R160, R161	47K0	Res. SMD 0805 1%	RCH085F0047K	FEP
80	2	R65, R84	1M0	Res. SMD 0805 1%	RCH085F0001M	FEP
81	2	R66, R83	1K8	Res. SMD 0805 1%	RCH085F001K8	FEP
82	2	R74, R131	1K0	Res. SMD 0805 1%	RCH085F0001K	FEP
83	4	R91, R111, R134, R136	12K1	Res. SMD 0805 1%	RCH085F012K1	FEP
84	2	R94, R96	8K2	Res. SMD 0805 1%	RCH085F008K2	FEP
85	2	R100, R102	1K5	Res. SMD 0805 1%	RCH085F001K5	FEP
86	4	R107, R112, R114, R120	3K16	Res. SMD 0805 1%	RCH085F03K16	FEP
87	2	R127, R132	0H0	Res. SMD 0805 1%	RCH085F0000H	FEP
88	3	R130, R155, R156	2K20	Res. SMD 0805 1%	RCH085F002K2	FEP
89	1	R138	150H0	Res. SMD 0805 1%	RCH085F0150H	FEP
90	4	R139, R141, R142, R143	100H0	Res. SMD 0805 1%	RCH085F0100H	FEP
91	11	TP1, TP2, TP3, TP4, TP5, TP6, TP7, TP8, TP9, TP10, TP11	NC	Test point		
92	5	U1, U3, U6, U16, U21	TL072SMD	Dual Op. SMD SO8	CILLTL072SMD	
93	1	U2	LM358SMD	Dual Op. SMD SO8	CILLLM358SMD	
94	4	U4, U13, U15, U17	TL074SMD	Quad Op. SMD SO14	CILLTL074SMD	
95	2	U5, U8	4053SSMD	Analog Switch SMD SO16	CID4053SMD	
96	1	U7	CD4094SMD	Shift Reg. SMD SO16	CID4094SMD	
97	1	U9	NC	Stabilizzatore TO220		
98	2	U10, U18	LM324SMD	Quad Op. SMD SO14	CILLM324SMD	
99	2	U11, U12	LM393SMD	Dual Comp. SMD SO8	CILLM393SMD	
100	1	U14	CD4066XSMD	Analog Switch SMD SO14	CID4066SMD	
101	1	U19	LM4880MA	Headphone amplif.	CILLM4880MA	
102	1	U20	CD4052/SO	Analog Switch SMD SO16	CID4052SMD	
103	1	U22	MC7812CD2T	Stabilizzatore SMD D2PAK	CIL78122DT	
104	2	FLTPEB7M	FLTPEB7M	Filtro 15kHz	FLTPEB7M	

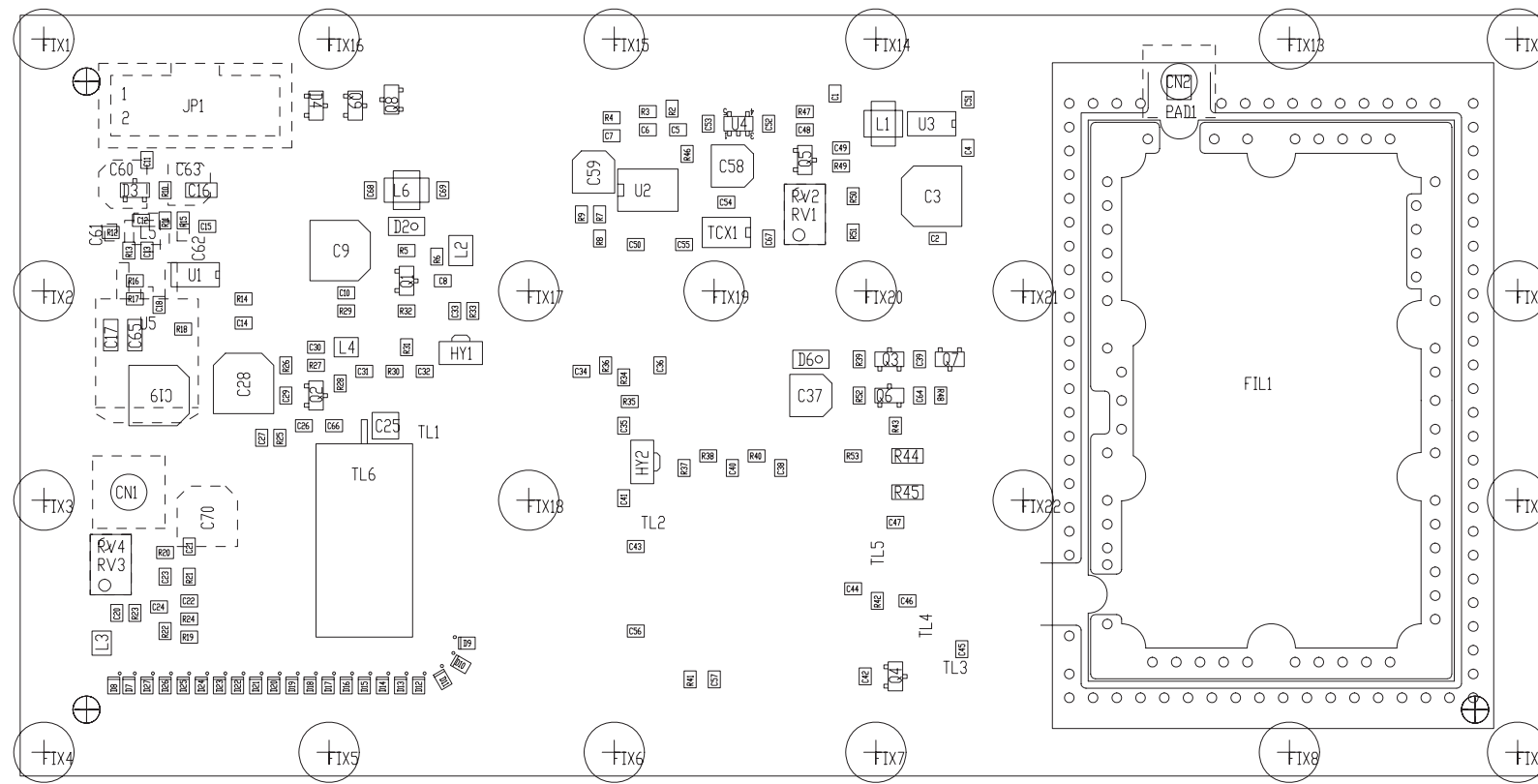
NOTA 1 CID4052SMD e CILLM4884MA sono da acquistare

NOTA 1 Nelle posizioni delle strip JP11-JP19 (JP12) va inserito il filtro 15KHz stereo (cod. FLTPEB7M) senza dividerlo

NOTA 2 Utilizzare fila strip maschio da dividere

NOTA 3 Utilizzare fila strip femmina da dividere

SL040VC2001



NOME PROGETTO: PONTE TRASFERIMENTO 1U

NOME PARTE: VCO/PLL

AUTORE: A. TOMMASI

DATA: 22/01/2009 REVISIONE: 1.0 SCALA: 1:1 SIZE: A4 PAGINA: 1 DI 1

ARCHIVIAZIONE ELETTRONICA: "CARTELLA RILASCIATI" SU "UTSRV"

CODICE PROGETTO: 040 CODICE DISEGNO: SL040VC1001

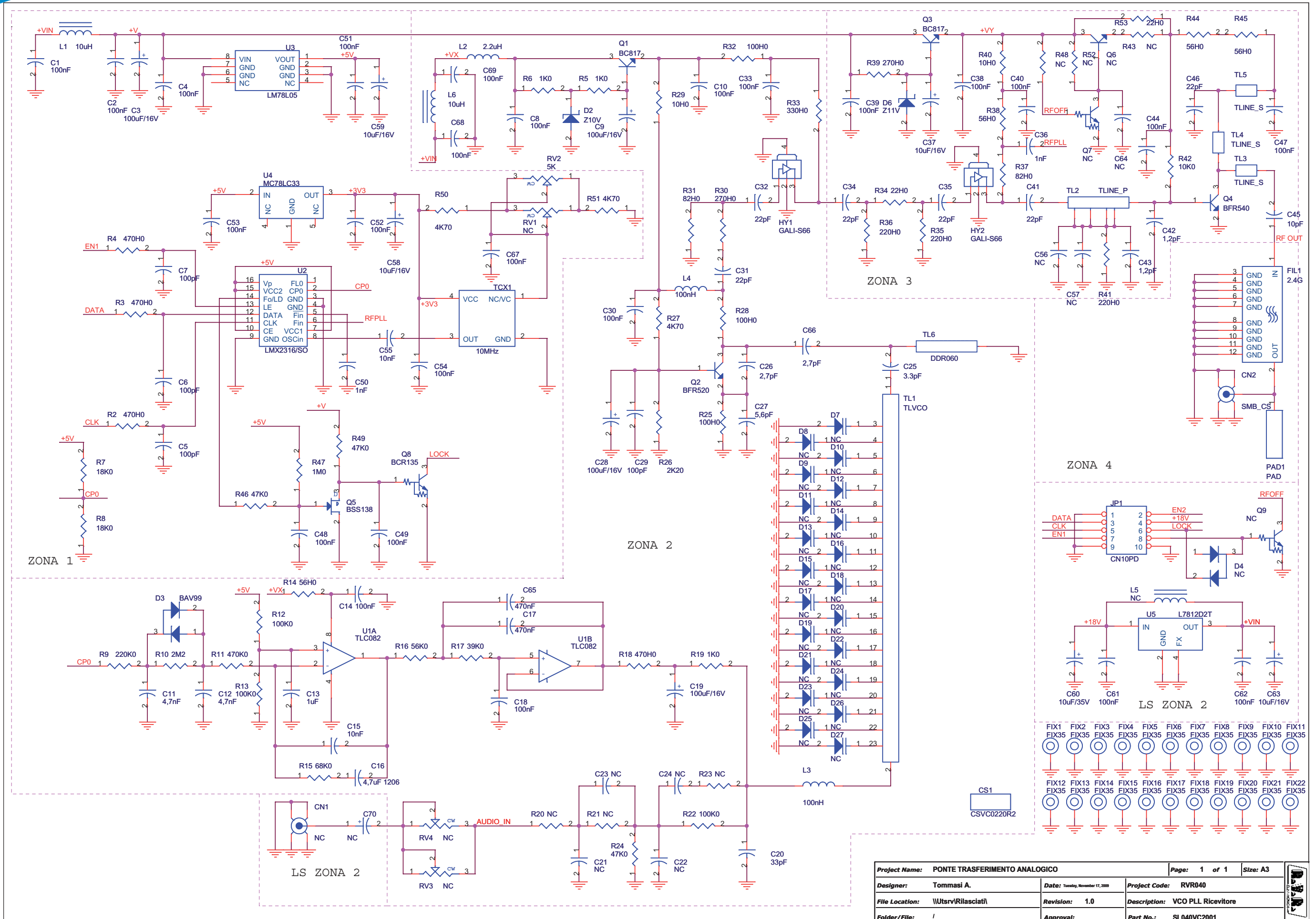
MATERIALE: <>

TRATTAMENTO: <>

PROFILO: <>

STATO: ESECUTIVO

SL040VC2001



Project Name:	PONTE TRASFERIMENTO ANALOGICO	Page:	1 of 1	Size:	A3
Designer:	Tommasi A.	Date:	Tuesday, November 17, 2009	Project Code:	RVR040
File Location:	\\Utsrv\Rilasciat\	Revision:	1.0	Description:	VCO PLL Ricevitore
Folder/File:	/	Approval:		Part No.:	SL040VC2001

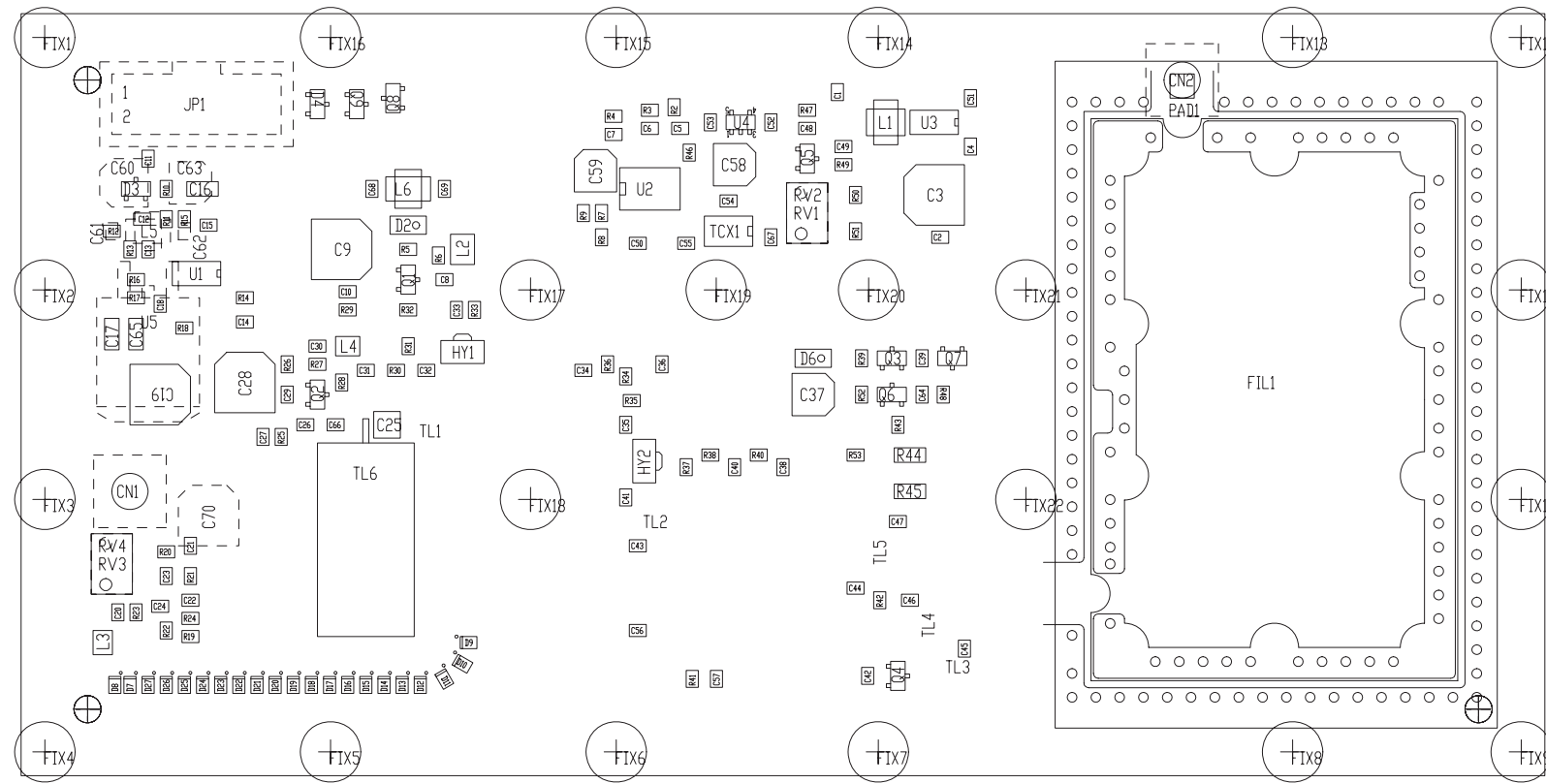
SL040VC2001

VCO PLL Ricevitore Revised: Tuesday, November 17, 2009
SL040VC2001 Revision: 1.0

PONTE TRASFERIMENTO ANALOGICO
RVR040

Item	Quantity	Reference	Part	Description	Code
1	1	CN1	NC	Connettore SMB cs	
2	1	CN2	SMB_CS	Connettore SMB cs	CNTSMBMCS
3	1	CS1	CSVCO220R2	Circuito stampato	CSVCO220R2
4	25	C1,C2,C4,C8,C10,C14,C18,C30,C33,C38,C39,C40,C44,C47,C48,C49,C51,C52,C53,C54,C61,C62,C67,C68,C69	100nF	Cond. SMD 0805	CCC085104KXC
5	4	C3,C9,C19,C28	100uF/16V	Cond. Elett. SMD d. 6.3mm	CES107C160
6	4	C5,C6,C7,C29	100pF	Cond. SMD 0805	CCC085101JCC
7	2	C11,C12	4,7nF	Cond. SMD 0805	CCC085472KXC
8	1	C13	1uF	Cond. SMD 0805	CCC085105KXC
9	2	C15,C55	10nF	Cond. SMD 0805	CCC085103KXC
10	1	C16	4,7uF 1206	Cond. SMD 1206	CCC126475KXA
11	2	C17,C65	470nF	Cond. SMD 1206	CCC085474KXB
12	1	C20	33pF	Cond. SMD 0805	CCC085330JCC
13	7	C21,C22,C23,C24,C56,C57,C64	NC	Cond. SMD 0805	
14	1	C25	3.3pF	Cond. SMD 1212 HQ	CHQ3P3CA501
15	2	C26,C66	2,7pF	Cond. SMD 0805	CCC0852P7JCC
16	1	C27	5,6pF	Cond. SMD 0805	CCC0855P6JCC
17	6	C31,C32,C34,C35,C41,C46	22pF	Cond. SMD 0805	CCC085220JCC
18	2	C36,C50	1nF	Cond. SMD 0805	CCC085102JNC
19	4	C37,C58,C59,C63	10uF/16V	Cond. Elett. SMD d. 4mm	CES106A160
20	2	C42,C43	1,2pF	Cond. SMD 0805	CCC0851P2JCC
21	1	C45	10pF	Cond. SMD 0805	CCC085100JCC
22	1	C60	10uF/35V	Cond. Elett. SMD d. 5mm	CES106B500
23	1	C70	NC	Cond. Elett. SMD d. 6.3mm	
24	1	D2	Z10V	MINIMELF SMD Zener Diode	DIZ10VMINI
25	1	D3	BAV99	Doppio Diodo SMD SOT23	DISBAV99
26	1	D4	NC	Doppio Diodo SMD SOT23	
27	1	D6	Z11V	MINIMELF SMD Zener Diode	DIZ11VMINI
28	21	D7,D8,D9,D10,D11,D12,D13,D14,D15,D16,D17,D18,D19,D20,D21,D22,D23,D24,D25,D26,D27	NC	Diodo varicap SOD323	
29	1	FIL1	2.4G	Stripline band pass filter	
30	22	FIX1, FIX2, FIX3, FIX4, FIX5, FIX6, FIX7, FIX8, FIX9, FIX10, FIX11, FIX12, FIX13, FIX14, FIX15, FIX16, FIX17, FIX18, FIX19, FIX20, FIX21, FIX22	FIX35	Foro fissaggio 3.5mm	
31	2	HY1, HY2	GALI-S66	RF HIBRYD AMPLIFIER	MIBGALIS66
32	1	JP1	CN10PD	Connettore 10 poli Flat cs	CNTMCS10A
33	2	L1, L6	10uH	Ind. verticale SMD dia. 4 p 4.8	IMP10USMS50
34	1	L2	2.2uH	Induttanza SMD 3225 (1210)	IMP2U2S120
35	2	L3, L4	100nH	Induttanza SMD 2520 (1008)	IMP100NS108
36	1	PAD1	PAD	Pad a saldare 2.5x2.5 mm	
37	2	Q1, Q3	BC817	Trans. NPN SOT23	TRNBC817
38	1	Q2	BFR520	Trans. NPN SOT23	TRNBFR520
39	1	Q4	BFR540	Trans. NPN SOT23	TRNBFR540
40	1	Q5	BSS138	Trans. FET SOT23	TRNBSS138
41	1	Q6	NC	Trans. NPN SOT23	
42	2	Q7, Q9	NC	Trans./Res. NPN SOT23	
43	1	Q8	BCR135	Trans./Res. NPN SOT23	TRNBBCR135
44	3	RV1, RV3, RV4	NC	Trimmer Rg V 3269W SMD	
45	1	RV2	5K	Trimmer Rg V 3269W SMD	RVT3269WK005

46	4	R2,R3,R4,R18	470H0	Res. SMD 0805 1%	RCH085F0470H
47	3	R5,R6,R19	1K0	Res. SMD 0805 1%	RCH085F0001K
48	2	R7,R8	18K0	Res. SMD 0805 1%	RCH085F0018K
49	1	R9	220K0	Res. SMD 0805 1%	RCH085F0220K
50	1	R10	2M2	Res. SMD 0805 1%	RCH085F002M2
51	1	R11	470K0	Res. SMD 0805 1%	RCH085F0470K
52	3	R12,R13,R22	100K0	Res. SMD 0805 1%	RCH085F0100K
53	2	R14,R38	56H0	Res. SMD 0805 1%	RCH085F0056H
54	1	R15	68K0	Res. SMD 0805 1%	RCH085F0068K
55	1	R16	56K0	Res. SMD 0805 1%	RCH085F0056K
56	1	R17	39K0	Res. SMD 0805 1%	RCH085F0039K
57	6	R20,R21,R23,R43,R48,R52	NC	Res. SMD 0805 1%	
58	3	R24,R46,R49	47K0	Res. SMD 0805 1%	RCH085F0047K
59	3	R25,R28,R32	100H0	Res. SMD 0805 1%	RCH085F0100H
60	1	R26	2K20	Res. SMD 0805 1%	RCH085F002K2
61	3	R27,R50,R51	4K70	Res. SMD 0805 1%	RCH085F004K7
62	2	R29,R40	10H0	Res. SMD 0805 1%	RCH085F0010H
63	2	R30,R39	270H0	Res. SMD 0805 1%	RCH085F0270H
64	2	R31,R37	82H0	Res. SMD 0805 1%	RCH085F0082H
65	1	R33	330H0	Res. SMD 0805 1%	RCH085F0330H
66	2	R34,R53	22H0	Res. SMD 0805 1%	RCH085F0022H
67	3	R35,R36,R41	220H0	Res. SMD 0805 1%	RCH085F0220H
68	1	R42	10K0	Res. SMD 0805 1%	RCH085F0010K
69	2	R44,R45	56H0	Res. SMD 1206	RCH126F0056H
70	1	R47	1M0	Res. SMD 0805 1%	RCH085F0001M
71	1	TCX1	10MHz	TCXO SMD 5x3.2mm	QRZ000010MMV
72	1	TL1	TLVCO	Linea strip VCO	
73	1	TL2	TLINE_P	Linea strip CS	
74	3	TL3, TL4, TL5	TLINE_S	Linea strip CS	
75	1	TL6	DDR060	Linea strip CS	RIS800MHZ
76	1	U1	TLC082	Dual Op. SMD SO8	CILTLC082
77	1	U2	LMX2316/SO	Integrated PLL	CIDLX2316
78	1	U3	LM78L05	Stabilizzatore SMD SO8	CIL78L05SMD
79	1	U4	MC78LC33	Stab. SMD SOT23-5	CILMC78LC33
80	1	U5	L7812D2T	Stabilizzatore SMD D2PAK	CIL78122DT
81	1	L5	NC	Ind. verticale SMD dia. 4 p 4.8	



NOME PROGETTO: PONTE TRASFERIMENTO 1U

NOME PARTE: VCO/PLL

AUTORE:

A. TOMMASI

PAGINA: 1 DI 1

SCALE: 1:1

SIZE: A4

REVISIONE: 1.0

DATA: 22/01/2009

ARCHIVIAZIONE ELETTRONICA: "CARTELLA RILASCIATI" SU "UTSRV"

CODICE PROGETTO: 040

CODICE DISEGNO: SL040VC1001

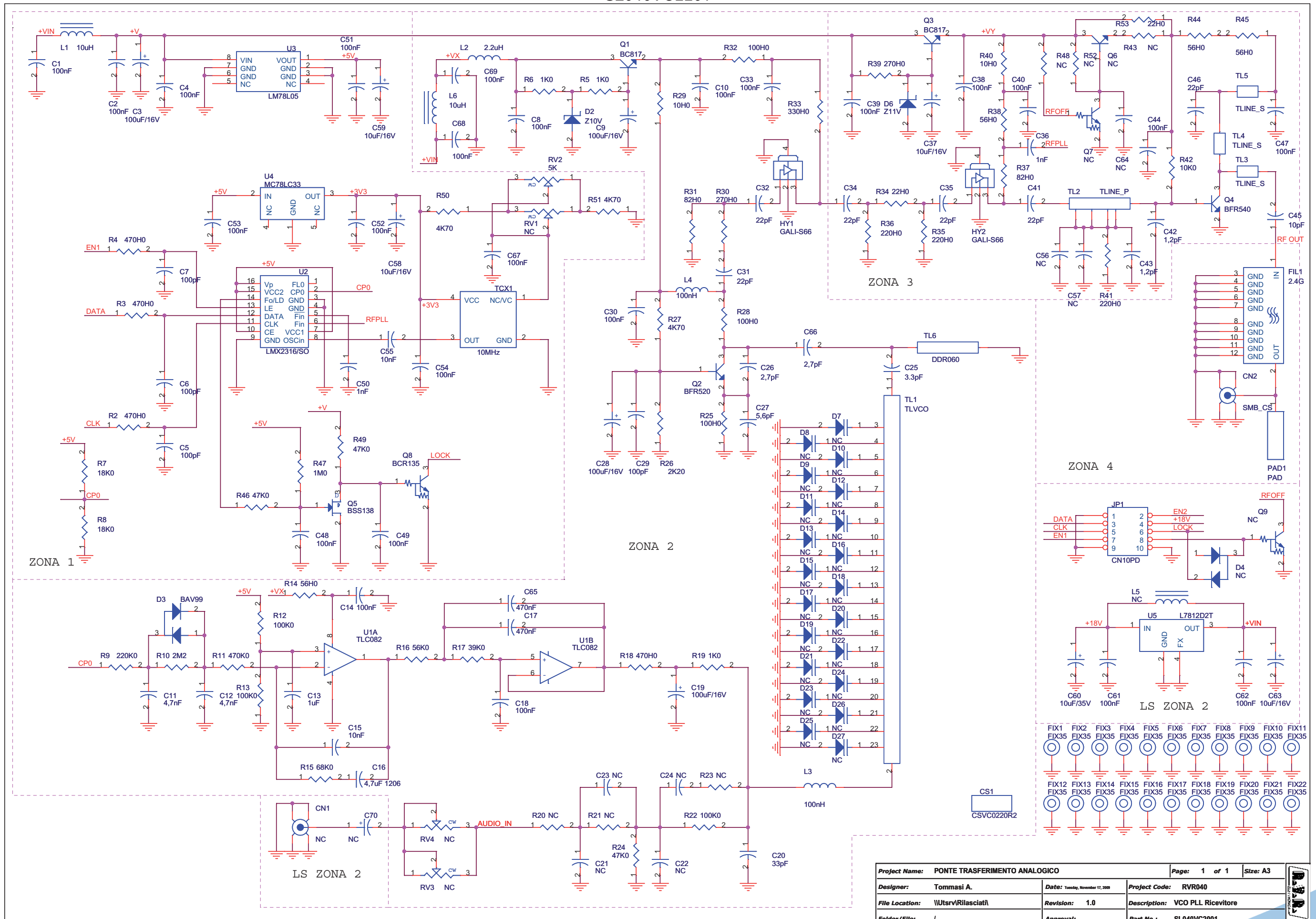
MATERIALE: <>

TRATTAMENTO: <>

PROFILO: <>

STATO: ESECUTIVO

SL040VC2201



Project Name:	PONTE TRASFERIMENTO ANALOGICO	Page:	1 of 1	Size:	A3
Designer:	Tommasi A.	Date:	Tuesday, November 17, 2008	Project Code:	RVR040
File Location:	\\Utsrv\Rilasciat\	Revision:	1.0	Description:	VCO PLL Ricevitore
Folder/File:	/	Approval:		Part No.:	SL040VC2001

SL040VC2201

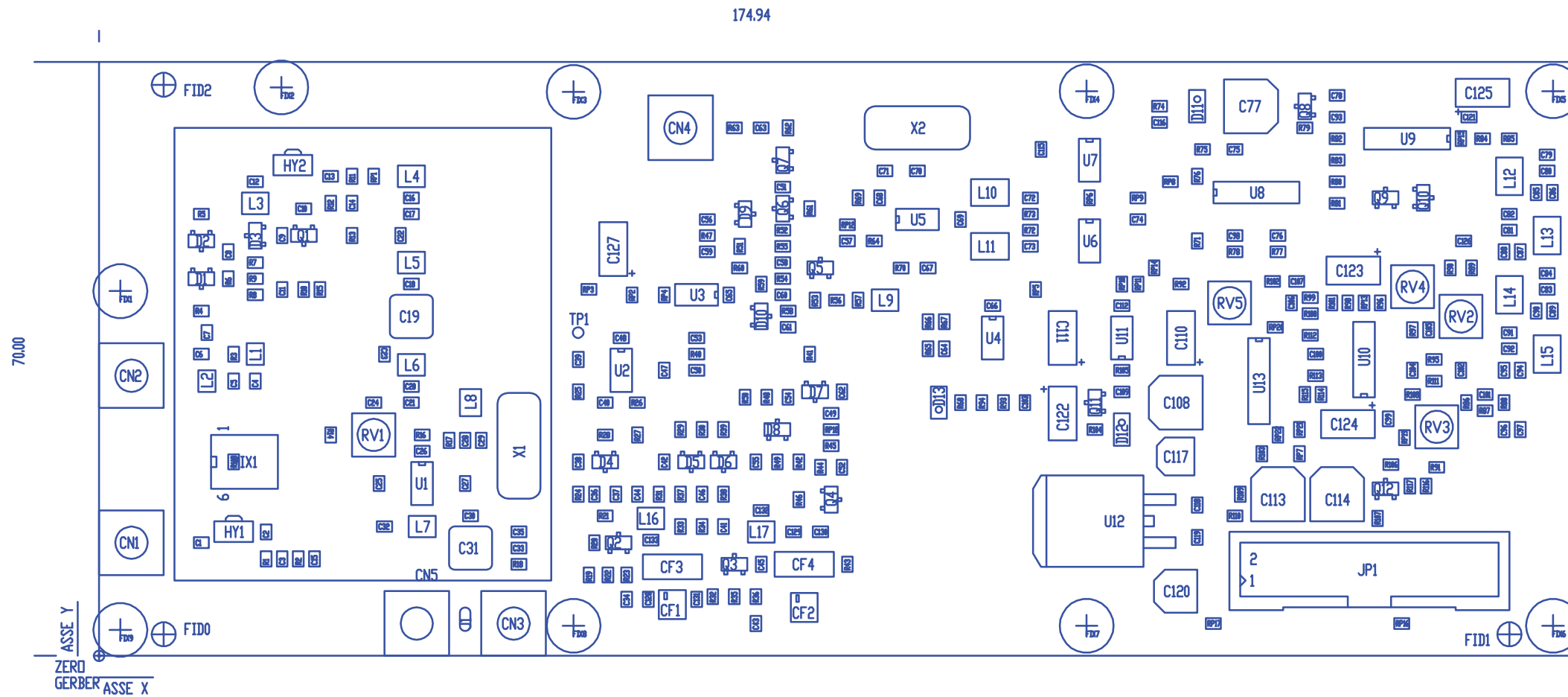
VCO PLL Ricevitore Revised: 20/05/2010
SL040VC2201 Revision: 1.0

PONTE TRASFERIMENTO ANALOGICO
RVR040

Item	Quantity	Reference	Part	Description	Code
1	1	CN1	NC	Connettore SMB cs	
2	1	CN2	SMB_CS	Connettore SMB cs	CNTSMBMCS
3	1	CS1	CSVCO220R2	Circuito stampato	CSVCO220R2
4	25	C1,C2,C4,C8,C10,C14,C18,C30,C33,C38,C39,C40,C44,C47,C48,C49,C51,C52,C53,C54,C61,C62,C67,C68,C69	100nF	Cond. SMD 0805	CCC085104KXC
5	4	C3,C9,C19,C28	100uF/16V	Cond. Elett. SMD d. 6.3mm	CES107C160
6	4	C5,C6,C7,C29	100pF	Cond. SMD 0805	CCC085101JCC
7	2	C11,C12	4,7nF	Cond. SMD 0805	CCC085472KXC
8	1	C13	1uF	Cond. SMD 0805	CCC085105KXC
9	2	C15,C55	10nF	Cond. SMD 0805	CCC085103KXC
10	1	C16	4,7uF 1206	Cond. SMD 1206	CCC126475KXA
11	2	C17,C65	470nF	Cond. SMD 1206	CCC085474KXB
12	1	C20	33pF	Cond. SMD 0805	CCC085330JCC
13	7	C21,C22,C23,C24,C56,C57,C64	NC	Cond. SMD 0805	
14	1	C25	3.3pF	Cond. SMD 1212 HQ	CHQ3P3CA501
15	2	C26,C66	2,7pF	Cond. SMD 0805	CCC0852P7JCC
16	1	C27	5,6pF	Cond. SMD 0805	CCC0855P6JCC
17	6	C31,C32,C34,C35,C41,C46	22pF	Cond. SMD 0805	CCC085220JCC
18	2	C36,C50	1nF	Cond. SMD 0805	CCC085102JNC
19	4	C37,C58,C59,C63	10uF/16V	Cond. Elett. SMD d. 4mm	CES106A160
20	2	C42,C43	1,2pF	Cond. SMD 0805	CCC0851P2JCC
21	1	C45	10pF	Cond. SMD 0805	CCC085100JCC
22	1	C60	10uF/35V	Cond. Elett. SMD d. 5mm	CES106B500
23	1	C70	NC	Cond. Elett. SMD d. 6.3mm	
24	1	D2	Z10V	MINIMELF SMD Zener Diode	DIZ10VMINI
25	1	D3	BAV99	Doppio Diodo SMD SOT23	DISBAV99
26	1	D4	NC	Doppio Diodo SMD SOT23	
27	1	D6	Z11V	MINIMELF SMD Zener Diode	DIZ11VMINI
28	21	D7,D8,D9,D10,D11,D12,D13,D14,D15,D16,D17,D18,D19,D20,D21,D22,D23,D24,D25,D26,D27	NC	Diodo varicap SOD323	
29	1	FIL1	2.4G	Stripline band pass filter	
30	22	FIX1, FIX2, FIX3, FIX4, FIX5, FIX6, FIX7, FIX8, FIX9, FIX10, FIX11, FIX12, FIX13, FIX14, FIX15, FIX16, FIX17, FIX18, FIX19, FIX20, FIX21, FIX22	FIX35	Foro fissaggio 3.5mm	
31	2	HY1, HY2	GALI-S66	RF HIBRYD AMPLIFIER	MIBGALIS66
32	1	JP1	CN10PD	Connettore 10 poli Flat cs	CNTMCS10A
33	2	L1, L6	10uH	Ind. verticale SMD dia. 4 p 4.8	IMP10USMS50
34	1	L2	2.2uH	Induttanza SMD 3225 (1210)	IMP2U2S120
35	2	L3, L4	100nH	Induttanza SMD 2520 (1008)	IMP100NS108
36	1	PAD1	PAD	Pad a saldare 2.5x2.5 mm	
37	2	Q1, Q3	BC817	Trans. NPN SOT23	TRNBC817
38	1	Q2	BFR520	Trans. NPN SOT23	TRNBFR520
39	1	Q4	BFR540	Trans. NPN SOT23	TRNBFR540
40	1	Q5	BSS138	Trans. FET SOT23	TRNBSS138
41	1	Q6	NC	Trans. NPN SOT23	
42	2	Q7, Q9	NC	Trans./Res. NPN SOT23	
43	1	Q8	BCR135	Trans./Res. NPN SOT23	TRNBCR135
44	3	RV1, RV3, RV4	NC	Trimmer Rg V 3269W SMD	
45	1	RV2	5K	Trimmer Rg V 3269W SMD	RVT3269WK005
46	4	R2, R3, R4, R18	470H0	Res. SMD 0805 1%	RCH085F0470H
47	3	R5, R6, R19	1K0	Res. SMD 0805 1%	RCH085F0001K

48	2	R7, R8	18K0	Res. SMD 0805 1%	RCH085F0018K
49	1	R9	220K0	Res. SMD 0805 1%	RCH085F0220K
50	1	R10	2M2	Res. SMD 0805 1%	RCH085F002M2
51	1	R11	470K0	Res. SMD 0805 1%	RCH085F0470K
52	3	R12, R13, R22	100K0	Res. SMD 0805 1%	RCH085F0100K
53	2	R14, R38	56H0	Res. SMD 0805 1%	RCH085F0056H
54	1	R15	68K0	Res. SMD 0805 1%	RCH085F0068K
55	1	R16	56K0	Res. SMD 0805 1%	RCH085F0056K
56	1	R17	39K0	Res. SMD 0805 1%	RCH085F0039K
57	6	R20, R21, R23, R43, R48, R52	NC	Res. SMD 0805 1%	
58	3	R24, R46, R49	47K0	Res. SMD 0805 1%	RCH085F0047K
59	3	R25, R28, R32	100H0	Res. SMD 0805 1%	RCH085F0100H
60	1	R26	2K20	Res. SMD 0805 1%	RCH085F002K2
61	3	R27, R50, R51	4K70	Res. SMD 0805 1%	RCH085F004K7
62	2	R29, R40	10H0	Res. SMD 0805 1%	RCH085F0010H
63	2	R30, R39	270H0	Res. SMD 0805 1%	RCH085F0270H
64	2	R31, R37	82H0	Res. SMD 0805 1%	RCH085F0082H
65	1	R33	330H0	Res. SMD 0805 1%	RCH085F0330H
66	2	R34, R53	22H0	Res. SMD 0805 1%	RCH085F0022H
67	3	R35, R36, R41	220H0	Res. SMD 0805 1%	RCH085F0220H
68	1	R42	10K0	Res. SMD 0805 1%	RCH085F0010K
69	2	R44, R45	56H0	Res. SMD 1206	RCH126F0056H
70	1	R47	1M0	Res. SMD 0805 1%	RCH085F0001M
71	1	TCX1	10MHz	TCXO SMD 5x3.2mm	QRZ000010MMV
72	1	TL1	TLVCO	Linea strip VCO	
73	1	TL2	TLINE_P	Linea strip CS	
74	3	TL3, TL4, TL5	TLINE_S	Linea strip CS	
75	1	TL6	DDR060	Linea strip CS	RIS850MHZ
76	1	U1	TLCO82	Dual Op. SMD SO8	CILTLC082
77	1	U2	LMX2316/SO	Integrated PLL	CIDLX2316
78	1	U3	LM78L05	Stabilizzatore SMD SO8	CIL78L05SMD
79	1	U4	MC78LC33	Stab. SMD SOT23-5	CILMC78LC33
80	1	U5	L7812D2T	Stabilizzatore SMD D2PAK	CIL7812D2T
81	1	L5	NC	Ind. verticale SMD dia. 4 p 4.8	

SL040IF2004



RILASCIO: 1/3/2011

REV: 4

DIM.SCHEDA: VEDI QUOTE
TRATT.: STANDARD COSTRUTTORE

MAT.: FR4-74 1.6mm Cu 35um
VISTA POSITIVA

DIS. S.POL.
CTR. A2

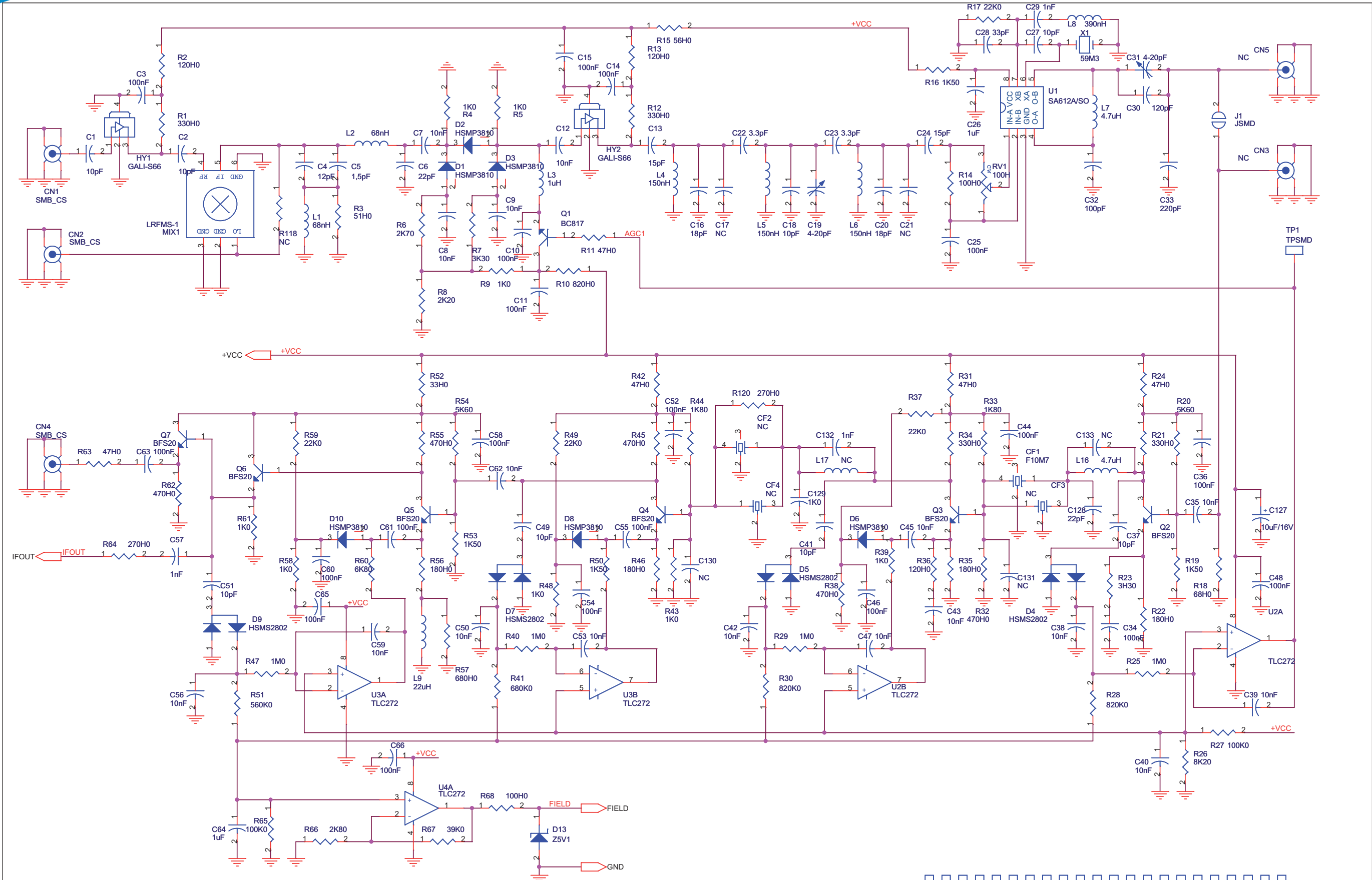
LATOPIANO DI MONTAGGIO
VISTA LATO COMPONENTI

DENOMINAZIONE PONTE TRAFERIMENTO

CODICE CSIF0219R4

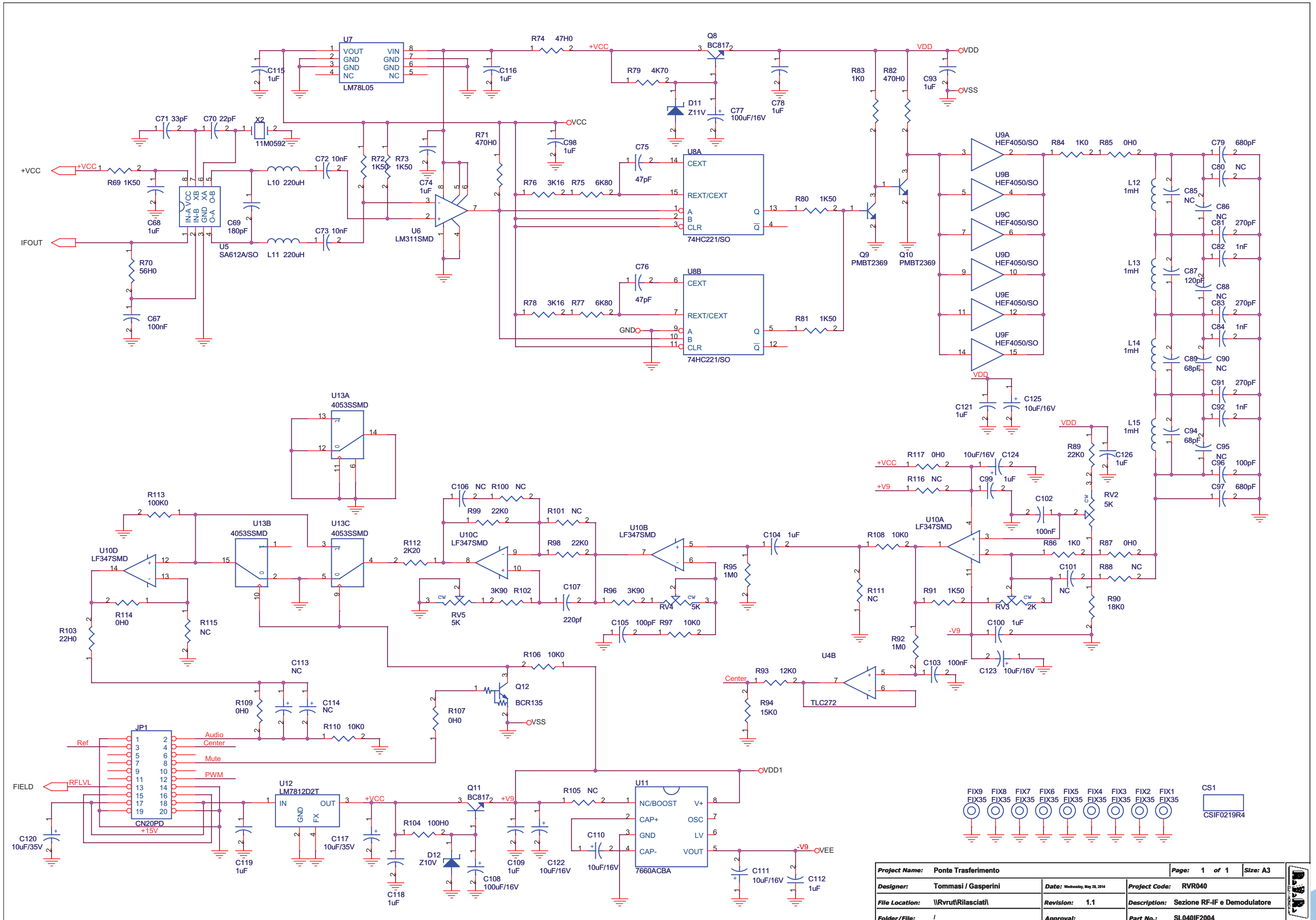
RVR ELETTRONICA S.P.A.
SCALA 1:1

SL040IF2004



Project Name: Ponte trasferimento		Page: 1 of 1	Size: A3
Designer: Tommasi / Gasperini	Date: Wednesday, May 28, 2014	Project Code: RVR040	
File Location: \\Rvrt\I\Relasciat\	Revision: 1.1	Description: Sezione RF-IF e Demodulatore	
Folder/File: /	Approval:	Part No.: SL040IF2004	

SL040IF2004



Project Name:	Ponte Trasferimento	Page:	1 of 1	Size:	A3
Designer:	Tommasi / Gasperini	Date:	Wednesday, May 28, 2014	Project Code:	RVR040
File Location:	\\Rvrut\I\Relasciati\	Revision:	1.1	Description:	Sezione RF-IF e Demodulatore
Folder/File:	/	Approval:		Part No.:	SL040IF2004

SL040IF2004

Sezione RF-IF e Demodulatore Revised: 28/05/2014
 SL040IF2004 Revision: 1.1
 Tommasi; Gasperini
 Ponte trasferimento
 RVR040

Item	Quantity	Reference	Part	Description	Code
1	3	CF2,CF3,CF4	NC	Filtro ceramico SMD	
2	1	CF1	F10M7	Filtro ceramico SMD	SFECF10M7FA
3	3	CN1,CN2,CN4	SMB_CS	Connettore SMB cs	CNTSMBMCS
4	2	CN3,CN5	NC	Connettore SMB cs	
5	1	CS1	CSIF0219R4	Circuito stampato	CSIF0219R4
6	8	C1,C2,C18,C27,C37,C41,C49,C51	10pF	Cond. SMD 0805	CCC085100JCC
7	23	C3,C10,C11,C14,C15,C25,C34,C36,C44,C46,C48,C52,C54,C55,C58,C60,C61,C63,C65,C66,C67,C102,C103	100nF	Cond. SMD 0805	CCC085104KXC
8	1	C4	12pF	Cond. SMD 0805	CCC085120JCC
9	1	C5	1,5pF	Cond. SMD 0805	CCC0851P5JCC
10	3	C6,C70,C128	22pF	Cond. SMD 0805	CCC085220JCC
11	19	C7,C8,C9,C12,C35,C38,C39,C40,C42,C43,C45,C47,C50,C53,C56,C59,C62,C72,C73	10nF	Cond. SMD 0805	CCC085103KXC
12	2	C13,C24	15pF	Cond. SMD 0805	CCC085150JCC
13	2	C16,C20	18pF	Cond. SMD 0805	CCC085180JCC
14	13	C17,C21,C80,C85,C86,C88,C90,C95,C101,C106,C130,C131,C133	NC	Cond. SMD 0805	
15	2	C19,C31	4-20pF	Comp. var. Murata TZB4A	CVF200D4,5SM
16	2	C22,C23	3.3pF	Cond. SMD 0805	CCC0853P3JCC
17	18	C26,C64,C68,C74,C78,C93,C98,C99,C100,C104,C109,C112,C115,C116,C118,C119,C121,C126	1uF	Cond. SMD 0805	CCC085105KXC
18	2	C28,C71	33pF	Cond. SMD 0805	CCC085330JCC
19	6	C29,C57,C82,C84,C92,C132	1nF	Cond. SMD 0805	CCC085102JNC
20	2	C30,C87	120pF	Cond. SMD 0805	CCC085121JCC
21	3	C32,C96,C105	100pF	Cond. SMD 0805	CCC085101JCC
22	2	C33,C107	220pF	Cond. SMD 0805	CCC085221JCC
23	1	C69	180pF	Cond. SMD 0805	CCC085181JCC
24	2	C75,C76	47pF	Cond. SMD 0805	CCC085470JCC
25	2	C77,C108	100uF/16V	Cond. Elett. SMD d. 6.3mm	CES107C160
26	2	C79,C97	680pF	Cond. SMD 0805	CCC085681JCC
27	3	C81,C83,C91	270pF	Cond. SMD 0805	CCC085271JCC
28	2	C89,C94	68pF	Cond. SMD 0805	CCC085680JCC
29	7	C110,C111,C122,C123,C124,C125,C127	10uF/16V	Cond. Elett. SMD tant. size C	CET106C160SM
30	2	C113,C114	NC	Cond. Elett. SMD d. 6.3mm	
31	2	C117,C120	10uF/35V	Cond. Elett. SMD d. 4mm	CES106A160
32	1	C129	1K0	Cond. SMD 0805	CES106B350
33	6	D1,D2,D3,D6,D8,D10	HSMP3810	Diode SMD SOT23	DISHSMP3810
34	4	D4,D5,D7,D9	HSMS2802	Doppio Diode SMD SOT23	DISHSMS2802
35	1	D11	Z11V	MINIMELF SMD Zener Diode	DIZ11VMINI
36	1	D12	Z10V	MINIMELF SMD Zener Diode	DIZ10VMINI
37	1	D13	Z5V1	MINIMELF SMD Zener Diode	DIZ5V1MINI
38	9	FIX1,FIX2,FIX3,FIX4,FIX5,FIX6,FIX7,FIX8,FIX9	FIX35	Foro fissaggio 3.5mm	
39	2	HY1,HY2	GALI-S66	RF HIBRYD AMPLIFIER	MIBGALIS66
40	1	JP1	CN20PD	Connettore 20 poli Flat cs	CNTMCS20A

41	1	J1	JSMD	Pad SMD a saldare	
42	2	L1,L2	68nH	Induttanza SMD 2520 (1008)	IMP68NS108
43	1	L3	1uH	Induttanza SMD 3225 (1210)	IMP001US120
44	3	L4,L5,L6	150nH	Induttanza SMD 3225 (1210)	IMP150NS120
45	2	L7,L16	4.7uH	Induttanza SMD 3225 (1210)	IMP4U7S120
46	1	L8	390nH	Induttanza SMD 3225 (1210)	IMP390NS120
47	1	L9	22uH	Induttanza SMD 3225 (1210)	IMP22US120
48	2	L10,L11	220uH	Induttanza SMD 4532 (1812)	IMP220US182
49	4	L12,L13,L14,L15	1mH	Induttanza SMD 4532 (1812)	IMP1MS182
50	1	L17	NC	Induttanza SMD 3225 (1210)	
51	1	MIX1	LRFMS-1	Mixer SMD serie RSM	MIXEMRS30SM
52	3	Q1,Q8,Q11	BC817	Trans. NPN SOT23	TRNBC817
53	6	Q2,Q3,Q4,Q5,Q6,Q7	BFS20	Trans. NPN SOT23	TRNBFS20
54	2	Q9,Q10	PMBT2369	Trans. NPN SOT23	TRNPMBT2369
55	1	Q12	BCR135	Trans./Res. NPN SOT23	TRNBCR135
56	28	RP1,RP2,RP3,RP4,RP5,RP6,RP7,RP8,RP9,RP10,RP11,RP12,RP13,RP14,RP15,RP16,RP17,RP18,RP19,RP20,RP21,RP22,R85,R87,R107,R109,R114,R117	OH0	Res. SMD 0805 1%	RCH085F0000H
57	1	RV1	100H	Trimmer SMD	RVT4X4H0100V
58	3	RV2,RV4,RV5	5K	Trimmer SMD	RVT4X4K0005V
59	1	RV3	2K	Trimmer SMD	RVT4X4K0002V
60	4	R1,R12,R21,R34	330HO	Res. SMD 0805 1%	RCH085F0330H
61	3	R2,R13,R36	120HO	Res. SMD 0805 1%	RCH085F0120H
62	1	R3	51HO	Res. SMD 0805 1%	RCH085F0051H
63	11	R4,R5,R9,R39,R43,R48,R58,R61,R83,R84,R86	1K0	Res. SMD 0805 1%	RCH085F0001K
64	1	R6	2K70	Res. SMD 0805 1%	RCH085F002K7
65	1	R7	3K30	Res. SMD 0805 1%	RCH085F003K3
66	2	R8,R112	2K20	Res. SMD 0805 1%	RCH085F002K2
67	1	R10	820HO	Res. SMD 0805 1%	RCH085F0820H
68	6	R11,R24,R31,R42,R63,R74	47HO	Res. SMD 0805 1%	RCH085F0047H
69	3	R14,R68,R104	100HO	Res. SMD 0805 1%	RCH085F0100H
70	2	R15,R70	56HO	Res. SMD 0805 1%	RCH085F0056H
71	10	R16,R19,R50,R53,R69,R72,R73,R80,R81,R91	1K50	Res. SMD 0805 1%	RCH085F001K5
72	7	R17,R37,R49,R59,R89,R98,R99	22K0	Res. SMD 0805 1%	RCH085F0022K
73	1	R18	68HO	Res. SMD 0805 1%	RCH085F0068H
74	2	R20,R54	5K60	Res. SMD 0805 1%	RCH085F005K6
75	4	R22,R35,R46,R56	180HO	Res. SMD 0805 1%	RCH085F0180H
76	1	R23	3H30	Res. SMD 0805 1%	RCH085F003H3
77	6	R25,R29,R40,R47,R92,R95	1M0	Res. SMD 0805 1%	RCH085F0001M
78	1	R26	8K20	Res. SMD 0805 1%	RCH085F008K2
79	3	R27,R65,R113	100K0	Res. SMD 0805 1%	RCH085F0100K
80	2	R28,R30	820K0	Res. SMD 0805 1%	RCH085F0820K
81	7	R32,R38,R45,R55,R62,R71,R82	470HO	Res. SMD 0805 1%	RCH085F0470H
82	2	R33,R44	1K80	Res. SMD 0805 1%	RCH085F001K8
83	1	R41	680K0	Res. SMD 0805 1%	RCH085F0680K
84	1	R51	560K0	Res. SMD 0805 1%	RCH085F0560K
85	1	R52	33HO	Res. SMD 0805 1%	RCH085F0033H
86	1	R57	680HO	Res. SMD 0805 1%	RCH085F0680H
87	3	R60,R75,R77	6K80	Res. SMD 0805 1%	RCH085F006K8
88	2	R64,R120	270HO	Res. SMD 0805 1%	RCH085F0270H
89	1	R66	2K80	Res. SMD 0805 1%	RCH085F002K8
90	1	R67	39K0	Res. SMD 0805 1%	RCH085F0039K
91	2	R76,R78	3K16	Res. SMD 0805 1%	RCH085F03K16
92	1	R79	4K70	Res. SMD 0805 1%	RCH085F004K7
93	8	R88,R100,R101,R105,R111,	NC	Res. SMD 0805 1%	

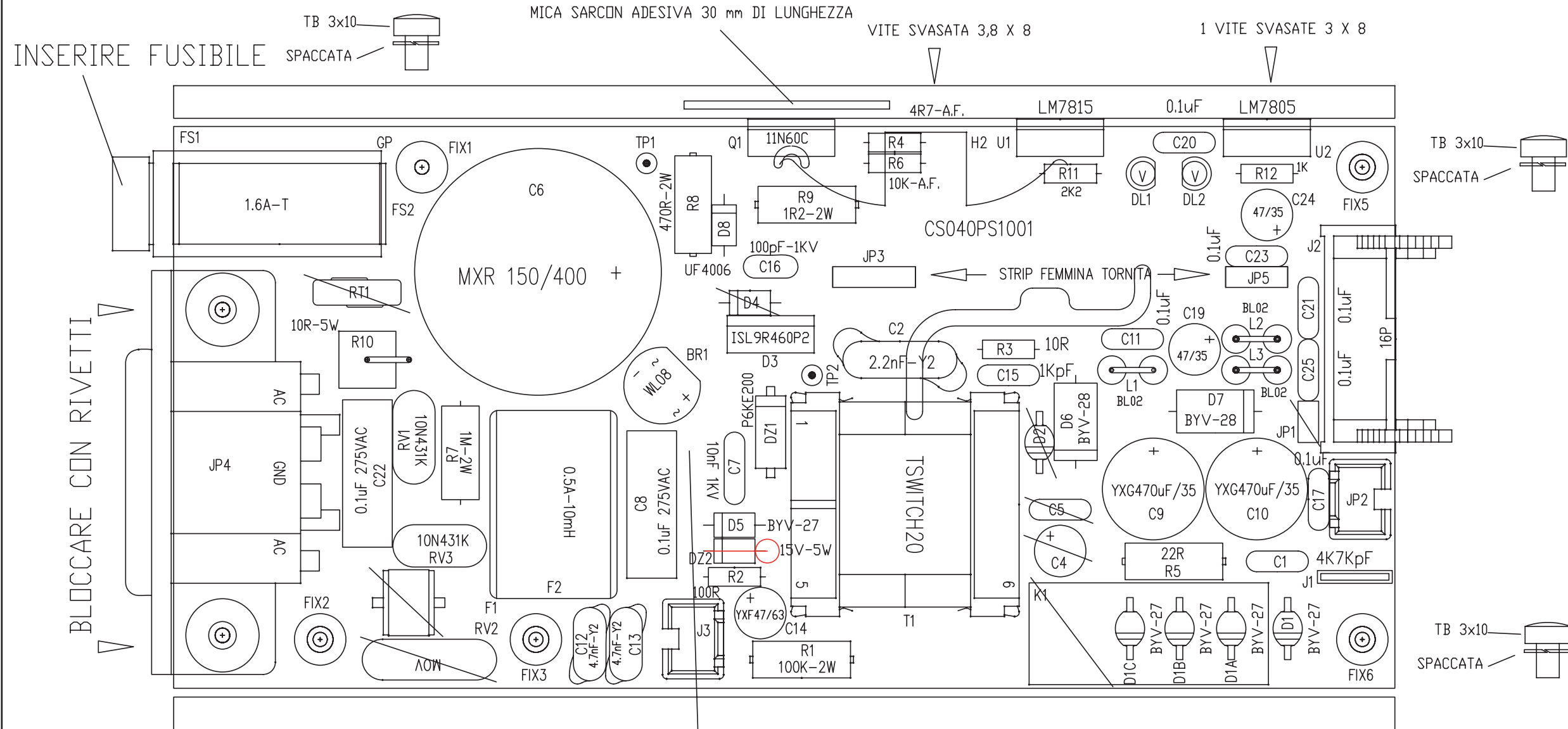
SL040IF2004

QTY	REF	DESCRIPTION	VALUE	UNIT	REF	DESCRIPTION	VALUE	UNIT
		R115,R116,R118						
94	1	R90	18K0	Res. SMD 0805 1%		RCH085F0018K		
95	1	R93	12K0	Res. SMD 0805 1%		RCH085F0012K		
96	1	R94	15K0	Res. SMD 0805 1%		RCH085F0015K		
97	2	R96,R102	3K90	Res. SMD 0805 1%		RCH085F003K9		
98	4	R97,R106,R108,R110	10K0	Res. SMD 0805 1%		RCH085F0010K		
99	1	R103	22H0	Res. SMD 0805 1%		RCH085F0022H		
100	1	TP1	TPSMD	Piazzola SMD				
101	2	U1,U5	SA612A/SO	RF converter		CILSA612A		
102	3	U2,U3,U4	TLC272	Dual Op. SMD SO8		CILTLC272		
103	1	U6	LM311SMD	Comp. SMD SO8		CILLM311SMD		
104	1	U7	LM78L05	Stabilizzatroe SMD SO8		CIL78L05SMD		
105	1	U8	74HC221/SO	Dual monost. multi SMD		CID74HC221SM		
106	1	U9	HEF4050/SO	Hex buffer SMD SO16		CID4050SMD		
107	1	U10	LF347SMD	Quad Op. SMD SO14		CILLF347SMD		
108	1	U11	7660ACBA	Switched capacitor supply inverter		CILICL7660SM		
109	1	U12	LM7812D2T	Stabilizzatore SMD D2PAK		CIL78122DT		
110	1	U13	4053SSMD	Triple bilat. switch		CID4053SMD		
111	1	X1	59M3	Quarzo SMD HC49SMD		QRZ00059M3D		
112	1	X2	11M0592	Quarzo SMD HC49SMD		QRZ011M0592C		

Nota 1 montare R120 su CF2 fra i pin 1 e 3

FLYRXRL1U

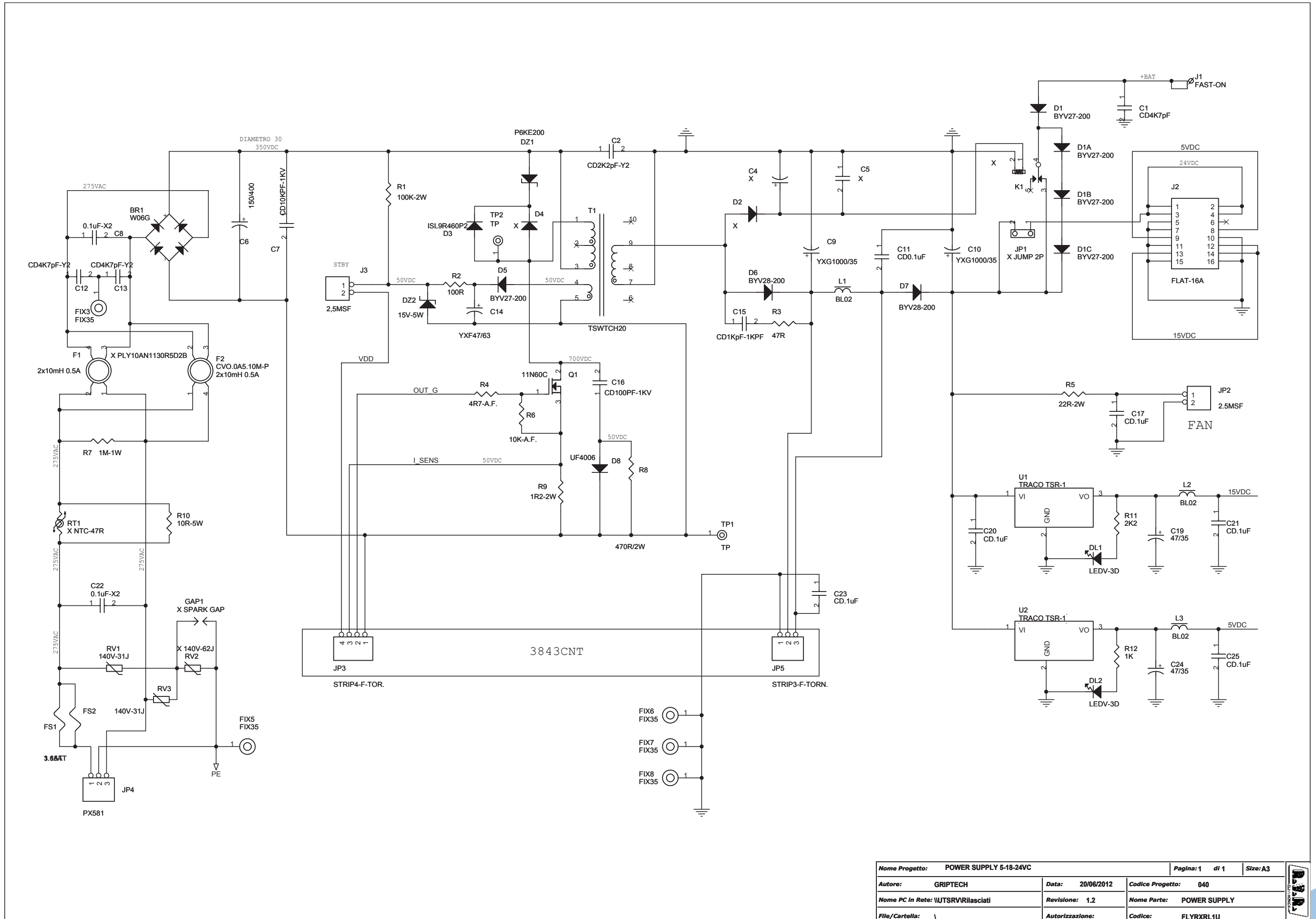
PIANO DI MONTAGGIO FLYRXRL1U_10A



I SEGUENTI COMPONENTI DEVONO ESSERE MONTATI SOLLEVATI
DZ1, DZ2, R1, R9, C16, R4, R6, BR1

ARCHIVIO: X:\WORKDWG\	
TITLE POWER SUPPLY PNT RX	
DOCUMENT NUMBER FLYRXRL1U_10A_MNT. DWG	REV 1.0
DATE: 2 MARZO 2009	

FLYRXRL1U



Nome Progetto: POWER SUPPLY 5-18-24VC		Pagina: 1 di 1	Size: A3
Autore: GRIPTECH	Data: 20/06/2012	Codice Progetto: 040	
Nome PC in Rete: \UTSRV\Rilasciati	Revisione: 1.2	Nome Parte: POWER SUPPLY	
File/Cartella: \	Autorizzazione:	Codice: FLYRXRL1U	

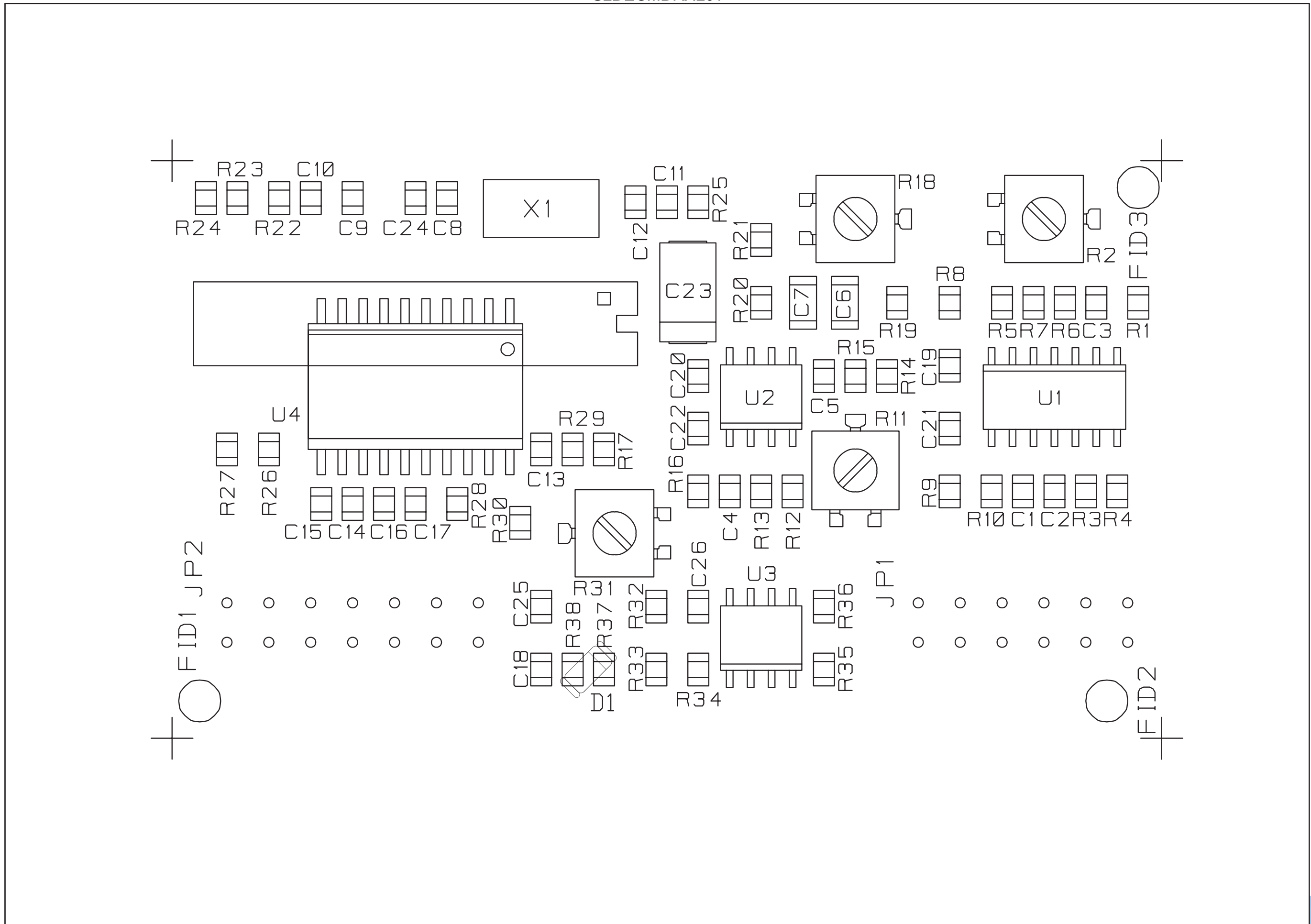
FLYRXRL1U

Revised: Monday, June 20, 2011
Revision:

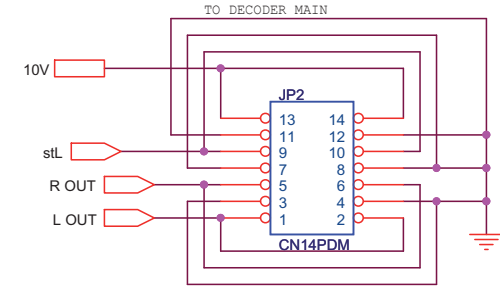
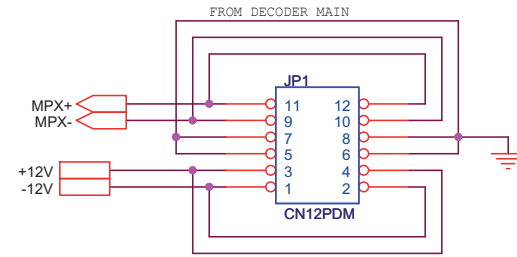
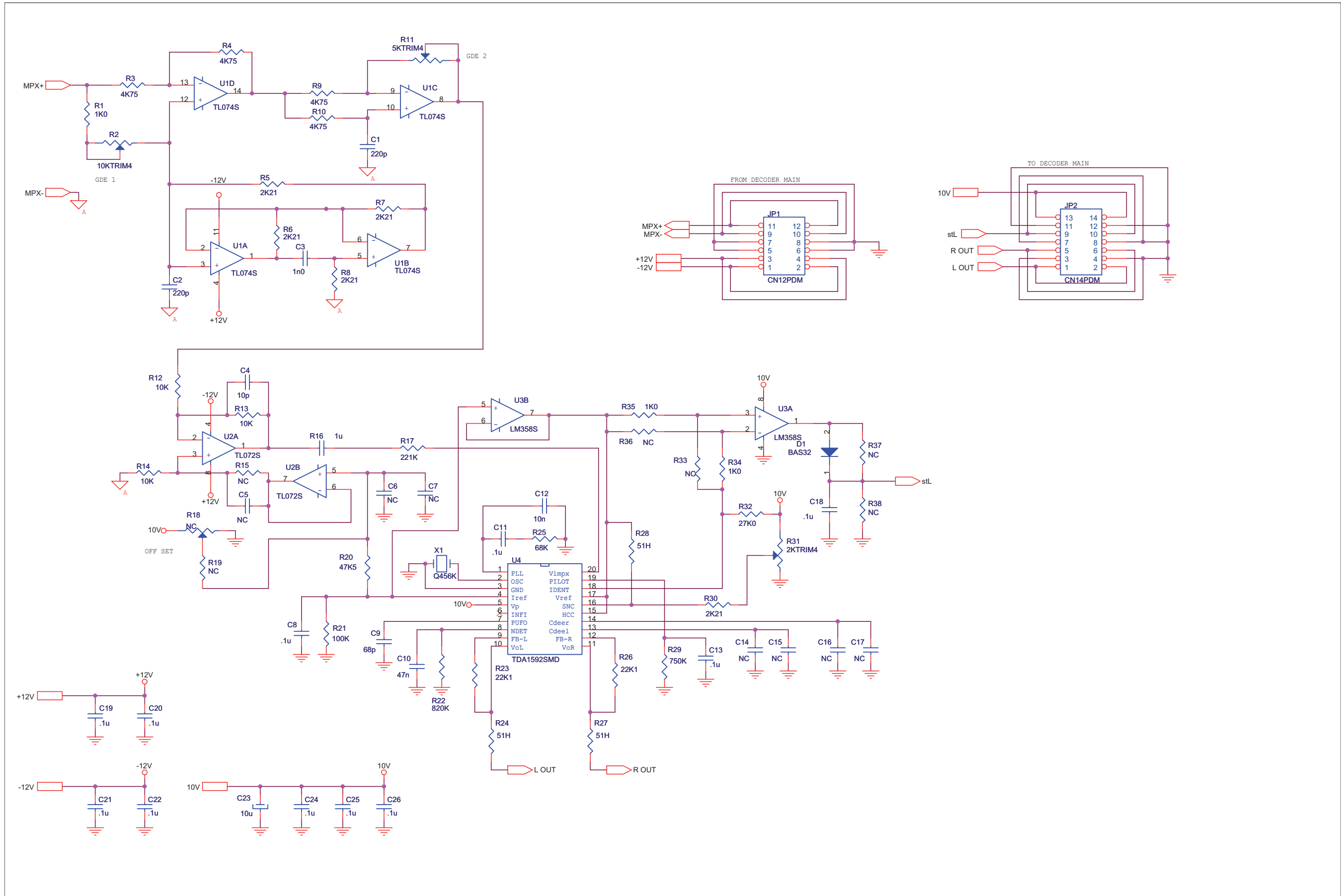
Item	Quantity	Reference	Part
1	1	BR1	W06G
2	1	C1	CD4K7pF
3	1	C2	CD2K2pF-Y2
4	5	K1, D2, D4, C4, C5	X
5	1	C6	150/400
6	1	C7	CD10KPF-1KV
7	2	C8, C22	0.1uF-X2
8	2	C9, C10	YXG1000/35
9	1	C11	CD0.1uF
10	2	C12, C13	CD4K7pF-Y2
11	1	C14	YXF47/63
12	1	C15	CD1KpF-1KPF
13	1	C16	CD100PF-1KV
14	5	C17, C20, C21, C23, C25	CD.1uF
15	2	C19, C24	47/35
16	2	DL1, DL2	LEDV-3D
17	1	DZ1	P6KE200
18	1	DZ2	15V-5W
19	5	D1C, D1B, D1A, D1, D5	BYV27-200
20	1	D3	ISL9R460P2
21	2	D6, D7	BYV28-200
22	1	D8	UF4006
23	5	FIX3, FIX5, FIX6, FIX7, FIX8	FIX35
24	1	FS1	1.6AT
25	1	FS2	3.15AT
26	1	F1	X PLY10AN1130R5D2B
27	1	F2	CVO.0A5.10M-P
28	1	GAP1	X SPARK GAP
29	1	JP1	X JUMP 2P
30	1	JP2	2.5MSF
31	1	JP3	STRIP4-F-TOR.
32	1	JP4	PX581
33	1	JP5	STRIP3-F-TORN.
34	1	J1	FAST-ON
35	1	J2	FLAT-16A
36	1	J3	2,5MSF
37	3	L1, L2, L3	BL02
38	1	Q1	11N60C
39	1	RT1	X NTC-47R
40	2	RV1, RV3	140V-31J
41	1	RV2	X 140V-62J
42	1	R1	100K-2W
43	1	R2	100R
44	1	R3	47R
45	1	R4	4R7-A.F.
46	1	R5	22R-2W

Item	Quantity	Reference	Part
47	1	R6	10K-A.F.
48	1	R7	1M-1W
49	1	R8	470R/2W
50	1	R9	1R2-2W
51	1	R10	10R-5W
52	1	R11	2K2
53	1	R12	1K
54	2	TP1, TP2	TP
55	1	T1	TSWTCH20
56	2	U1, U2	TRACO TSR-1

SLDECMDRXL01



SLDECMDRXL01



Nome Progetto: RXRL-LCD		Pagina: 1 di 1	Size: Custom
Autore: Ufficio Tecnico	Data: 04/07/2006	Codice Progetto: 007	
Nome PC in Rete: WUTSRVIRilasciati	Revisione: 1.0	Nome Parte: Stereo Decoder Module	
File/Cartella:	Autorizzazione:	Codice: SLDECMDRXL01	

SLDECMRXL01

STEREO DECODER MODULE
SLDECMRXL01
Rev.1.0 04/07/2006
R.V.R. ELETTRONICA Spa
A. Tommasi

Item	Quantity	Reference	Part	Description	Code
1	2	C1,C2	220p	Cond. SMD 0805	CCC085221JCC
2	1	C3	1n0	Cond. SMD 0805	CCC085102JNC
3	1	C4	10p	Cond. SMD 0805	CCC085100JCC
4	14	C5,C6,C7,C14,R15,C15,C16,C17,R18,R19,R33,R36,R37,R38	NC		
5	11	C8,C11,C13,C18,C19,C20,C21,C22,C24,C25,C26	.1u	Cond. SMD 0805	CCC085104KXC
6	1	C9	68p	Cond. SMD 0805	CCC085680JCC
7	1	C10	47n	Cond. SMD 0805	CCC085473KXC
8	1	C12	10n	Cond. SMD 0805	CCC085103KXC
9	1	C23	10u	Cond. Elett. Tant Size C	CET106C160SM
10	1	D1	BAS32	Diode SMD Minimef	DISBAS32MINI
11	1	JP1	CN12PDM	Conn. strip 2x6 poli 90°	CNTSTM40DDA
12	1	JP2	CN14PDM	Conn. strip 2x7 poli 90°	CNTSTM40DDA
13	3	R1,R34,R35	1K0	Res. SMD 0805	RCH085F0001K
14	1	R2	10KTRIM4	Trimmer monogiro SMD	RVT4X4K0010V
15	4	R3,R4,R9,R10	4K75	Res. SMD 0805	RCH085F004K7
16	5	R5,R6,R7,R8,R30	2K21	Res. SMD 0805	RCH085F002K2
17	1	R11	5KTRIM4	Trimmer monogiro SMD	RVT4X4K0005V
18	3	R12,R13,R14	10K	Res. SMD 0805	RCH085F0010K
19	1	R16	1u	Res. SMD 0805	CCC085105KYC
20	1	R17	221K	Res. SMD 0805	RCH085F0221K
21	1	R20	47K5	Res. SMD 0805	RCH085F0047K
22	1	R21	100K	Res. SMD 0805	RCH085F0100K
23	1	R22	820K	Res. SMD 0805	RCH085F0820K
24	2	R23,R26	22K1	Res. SMD 0805	RCH085F0022K
25	3	R24,R27,R28	51H	Res. SMD 0805	RCH085F0051H
26	1	R25	68K	Res. SMD 0805	RCH085F0068K
27	1	R29	750K	Res. SMD 0805	RCH085F0750K
28	1	R31	2KTRIM4	Trimmer monogiro SMD	RVT4X4K0002V
29	1	R32	27K0	Res. SMD 0805	RCH085F0027K
30	1	U1	TL074S	Quad Op SO14	CILTL074SMD
31	1	U2	TL072S	Dual Op. SO8	CILTL072SMD
32	1	U3	LM358S	Dual Op. SO8	CILLM358SMD
33	1	U4	TDA1592SMD	Stereo decoder SMD So20	CILTDA1592
34	1	X1	Q455K	Rison. Cer. 455 Khz	RIS455KHZ
35	1	CS1		circuito stampato	CSDECMRXLCD01

NOTA1
NOTA1

NOTA1 Montare sul lato saldature