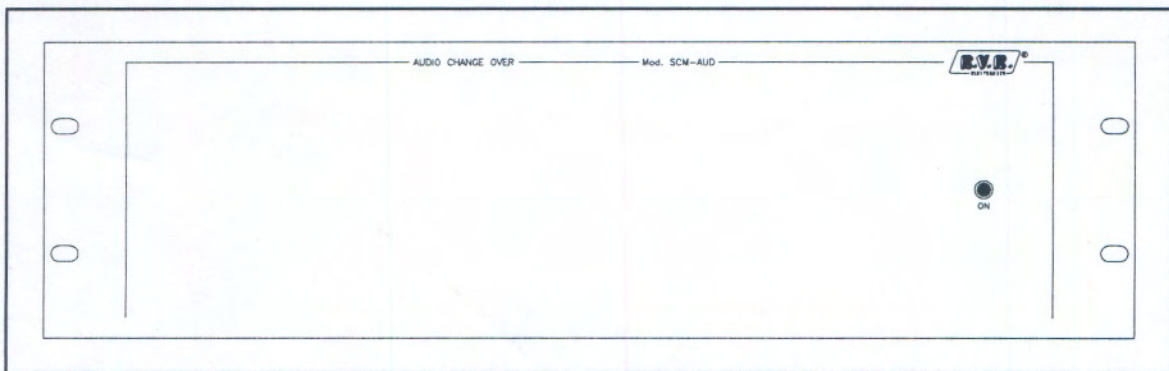
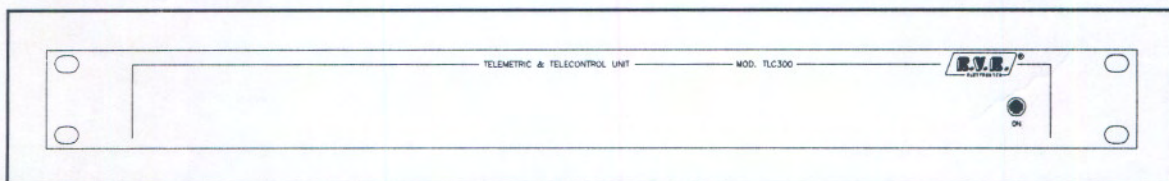
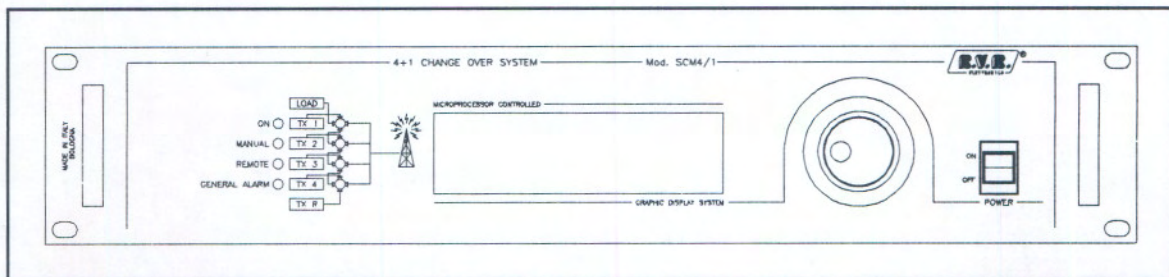


---

---

**SCM1-LCD**  
**SCM4/1**  
**TLC300**  
**TLC2000**  
**SCM-AUD**



Manufactured by R.V.R. Elettronica - Italy

---

---





## PRELIMINARY INSTRUCTIONS AND WARRANTY INFORMATION

**WARNING:** This is a "CLASS A" equipment. In a residential place this equipment can cause hash. In this case can be requested to user to take the necessary measures.

Please observe safety precautions when handling this unit. This equipment contains dangerous currents and high voltages.

This manual is written as a general guide for those having previous knowledge and experience with this kind of equipment. It is not intended to contain a complete statement of all safety warnings which should be observed by personnel in using this or other electronic equipment.

R.V.R. doesn't assume responsibility for injury or damage resulting from improper procedures or practices by untrained/unqualified personnel in the handling of this unit.

Please observe all local codes and fire protection standards in the operations of this unit.

**CAUTION:** always disconnect power before opening covers or removing any part of this unit. Use appropriate grounding procedures to short out capacitors and high voltage points before servicing.

Any damage to the goods must be reported to the carrier in writing on the shipment receipt.

Any discrepancy or damage discovered subsequent to delivery, shall be reported to R.V.R. within five (5) days from its receipt.

R.V.R. extends to the original end-user purchaser all original manufacturers warranties which are transferable and all claims are to be made directly to R.V.R. per indicated procedures.

All manufacturers warranties will be supported by R.V.R. to ensure precise and speedy service where possible.

R.V.R. shall not be liable for any damage of whatsoever nature, arising out of or in connection with the product or its use thereof.

R.V.R.'s warranty shall not include:

- 1) Re-shipment of the unit to R.V.R. for repair purposes
- 2) Any unauthorized repair/modification
- 3) Incidental/consequential damages as a result of any defect
- 4) Nominal non-incidentals defects
- 5) Re-shipment costs or insurance of the unit or replacement units/parts

Warranty shall come into force from invoice date and for the period of the manufactures warranty.



To claim your rights under this warranty:

- a. **Contact the dealer or distributor** where you purchased the unit. Describe the problem and ask if he has an easy solution. Dealers and Distributors are supplied with all the information about problems that may occur and usually they can repair the unit quicker than what the manufacturer could do. Very often installing errors are discovered by dealers.
- b. If your dealer cannot help you, contact R.V.R. in Bologna and explain the problem. If it is decided to return the unit to the factory, R.V.R. will mail you a regular authorization with all the necessary instructions to send back the goods.
- c. When you receive the authorization, you can return the unit. Pack it carefully for the shipment, preferably using the original packing and seal the package perfectly. The customer always assumes the risks of loss (i.e., R.V.R. is never responsible for damage or loss), until the package reaches R.V.R. premises. For this reason, we suggest you to insure the goods for the whole value. Shipment must be effected C.I.F. (PREPAID) to the address specified by R.V.R.'s service manager on the authorization.

**DO NOT RETURN UNITS WITHOUT OUR AUTHORIZATION AS THEY WILL BE REFUSED.**

Be sure to enclose a written technical report where mention all the problems found and a copy of your original invoice establishing the starting date of the warranty.

Replacement and warranty parts may be order from the following address. Be sure to include the equipment model and serial number as well as part description and part number.

R.V.R. Elettronica S.r.l.                      - Broadcasting Equipment -  
Via del Fonditore, 2/2c  
40138 Bologna - Italy

R.V.R. reserves the right to modify the design and specifications of the equipment in this manual without previous notice.



**WARNING!**

The currents and voltages in this equipment are dangerous!  
Personnel must at all times observe safety regulation!

This manual is intended as a general guide for trained and qualified personnel who are aware of the dangers inherent in handling potentially hazardous electrical and electronic circuits.

It is not intended to contain a complete statement of all safety precautions which should be observed by personnel in using this or other electronic equipment.

The installation, operation, maintenance and service of this equipment involves risks both to personnel and equipment, and must be performed only by qualified personnel exercising due care.

R.V.R. ELETTRONICA S.r.l. shall not be responsible for injury or damage resulting from improper procedures or from the use of improperly trained or inexperienced personnel performing such tasks.

During installation and operation of this equipment, local building codes and fire protection standards must be observed.

**WARNING!**

Always disconnect power before opening covers, doors, enclosures, gates, panels or shields.  
Always use grounding sticks and short out high voltage points before servicing. Never make internal adjustments, perform maintenance or service when alone or when fatigued.

Do not remove, short-circuit or tamper with interlock switches on access covers, doors, enclosures, gates, panels or shields.

Keep away from live circuits, know your equipment and don't take chances.

**WARNING!**

In case of emergency ensure that power has been disconnected

## Treatment of electrical Shock

1) If victim is not responsive follow the A-B-C's of basic life support.

PLACE VICTIM FLAT ON HIS BACK ON A HARD SURFACE

### A AIRWAY

IF UNCONSCIOUS,  
OPEN AIRWAY



LIFT UP NECK,  
PUSH FOREHEAD BACK,  
CLEAR OUT MOUTH IF NECESSARY,  
OBSERVE FOR BREATHING

### B BREATHING

IF NOT BREATHING,  
BEGIN ARTIFICIAL  
BREATHING.



TILT HEAD,  
PINCH NOSTRILS,  
MAKE AIRTIGHT SEAL,  
4 QUICK FULL BREATHS.  
REMEMBER MOUTH TO MOUTH  
RESUSCITATION MUST BE  
COMMENCED AS SOON AS  
POSSIBLE.

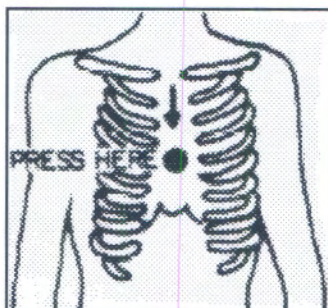
### C CIRCULATION

CHECK CAROTID PULSE



IF PULSE ABSENT,  
BEGIN ARTIFICIAL  
CIRCULATION

DEPRESS STERNUM 1 1/2" TO 2"



APPROX. 80 SEC. : ONE RESCUER, 15 COMPRESSIONS,  
2 QUICK BREATHS.

APPROX. 60 SEC. : TWO RESCUERS, 5 COMPRESSIONS,  
1 BREATH

NOTE: DO NOT INTERRUPT RHYTHM OF COMPRESSIONS  
WHEN SECOND PERSON IS GIVING BREATH.

Call for medical assistance as soon as possible.

2) If victim is responsive:

- a. Keep them warm.
- b. Keep them as quiet as possible.
- c. Loosen their clothing (a reclining position is recommended).



## FIRST-AID

Personnel engaged in the installation, operation, maintenance or servicing of this equipment are urged to become familiar with first-aid theory and practices. The following information is not intended to be a complete first-aid procedure, it is brief and is only to be used as a reference. It is the duty of all personnel using the equipment to be prepared to give adequate Emergency First Aid and thereby prevent avoidable loss of life.

### Treatment of electrical Burns

- 1) Extensive burned and broken skin.
  - a. Cover area with clean sheet or cloth.  
(Cleansed available cloth article).
  - b. Do not break blisters, remove tissue, remove adhered particles of clothing, or apply any salve or ointment.
  - c. Treat victim for shock as required.
  - d. Arrange transportation to a hospital as quickly as possible
  - e. If arms or legs are affected keep them elevated.

### NOTE

If medical help will not be available within an hour and the victim is conscious and not vomiting, give him a weak solution of salt and soda: 1 level teaspoonful of salt and 1/2 level teaspoonful of baking soda to each quart of water (neither hot or cold).

Allow victim to sip slowly about 4 ounces (half a glass) over a period of 15 minutes.

Discontinue fluid if vomiting occurs (Do not give alcohol).

- 2) Less severe burns - (1st & 2nd degree)
  - a. Apply cool (not ice cold) compresses using the cleansed available cloth article.
  - b. Do not break blisters, remove tissue, remove adhered particles of clothing, or apply salve or ointment.
  - c. Apply clean dry dressing if necessary.
  - d. Treat victim for shock as required.
  - e. Arrange transportation to a hospital as quickly as possible.
  - f. If arms or legs are affected keep them elevated.

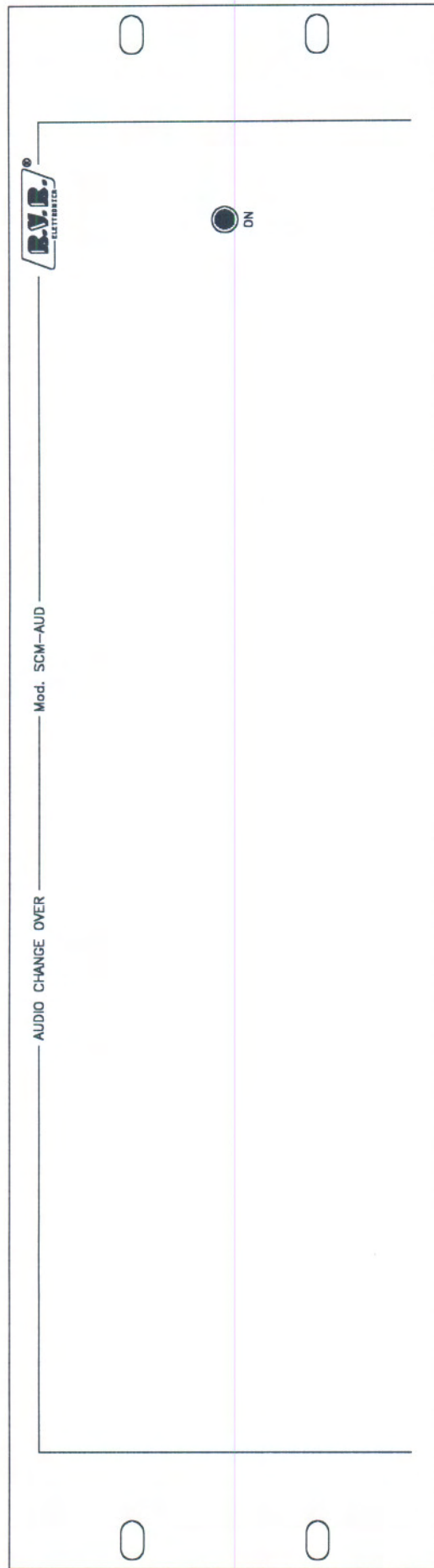
# **SCM-AUD**

**Circuit Diagram**

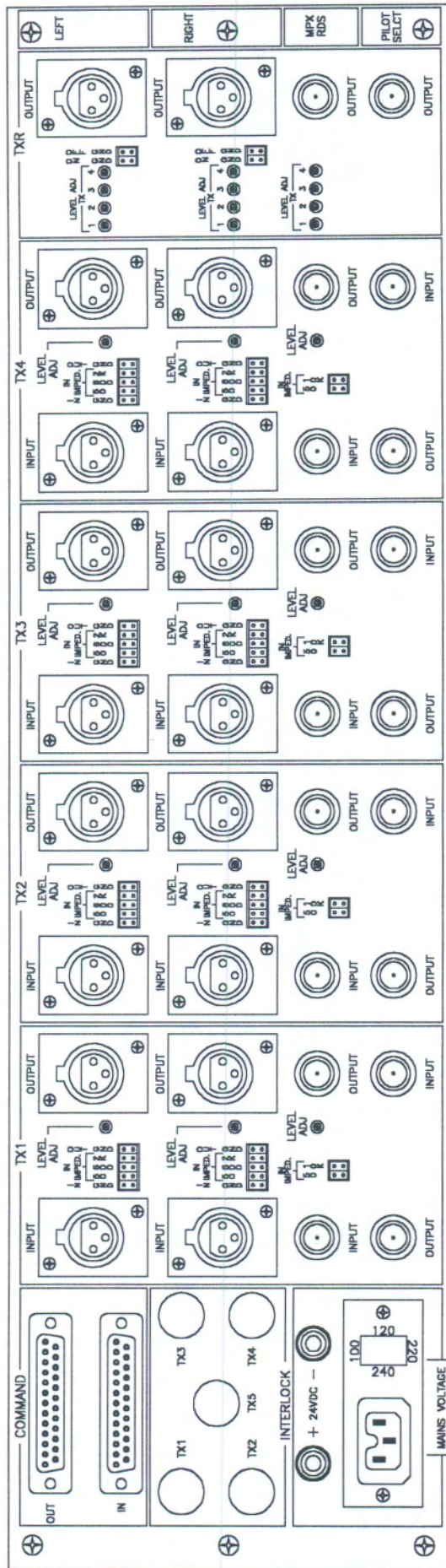
**Bill of Material**

**Component Layout**





AUDIO CHANGE-OVER UNIT FRONT PANEL

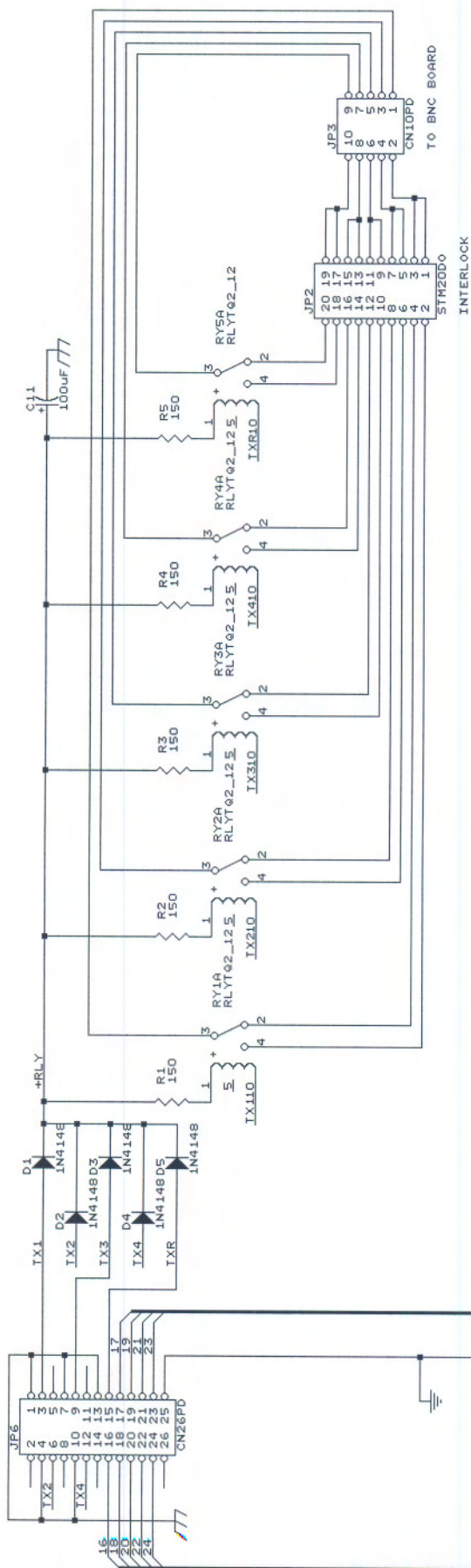


AUDIO CHANGE-OVER UNIT REAR PANEL

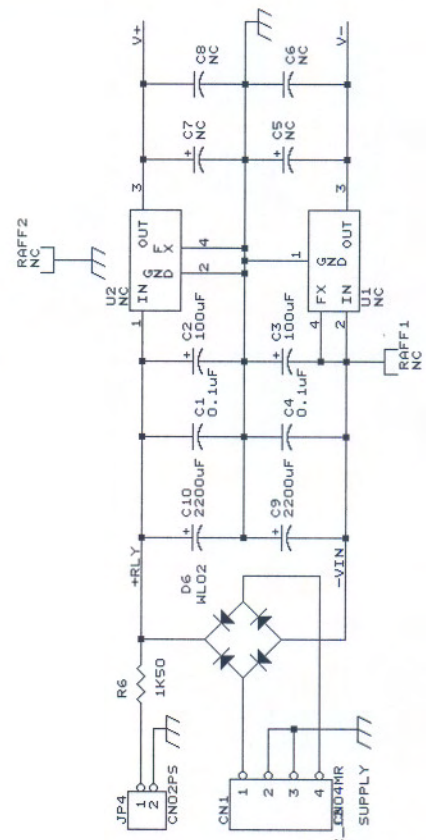


Input Command Card - SLAUSWCNT001

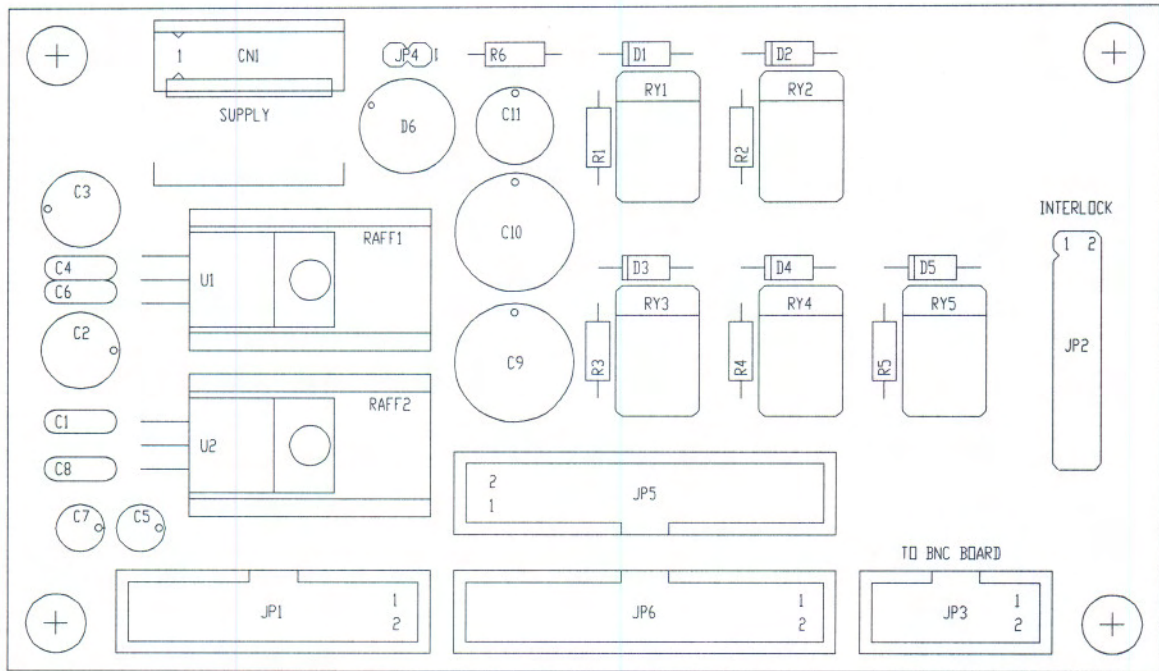
- 1 Circuit Diagram
- 2 Components Layout



In JP5 va collegato un Flat con DB25Maschio  
 In JP6 va collegato un Flat con DB25Femmina







DENOMINAZIONE  
 Input Command Card Component Layout - SLAUSWCNT001  
 DISPOSITIVO

SEMILAVORATO

DISEGNATO  
 D'Alessio D. U

DISEGNO

MATERIALE

SCALA

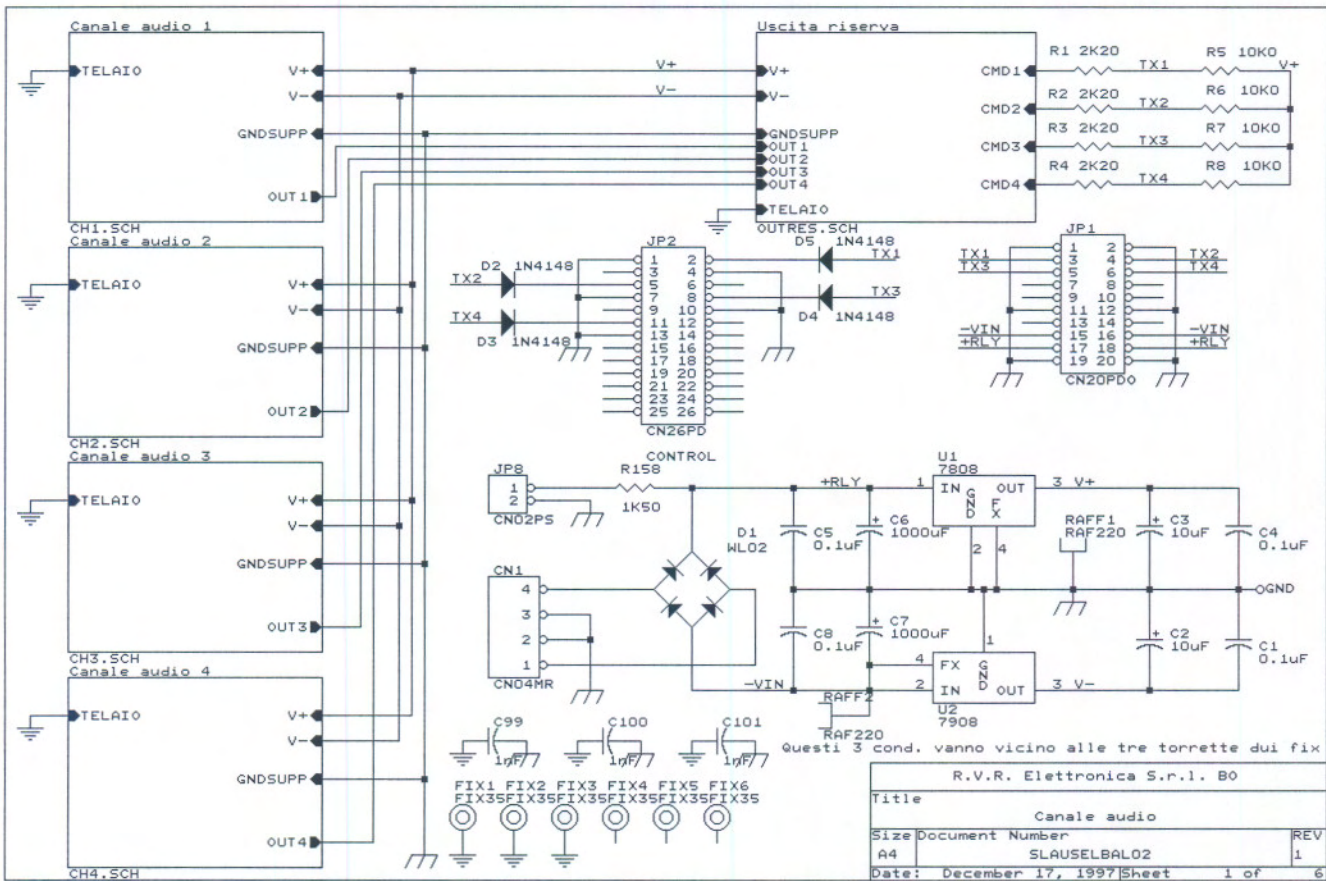
TRATTAMENTO

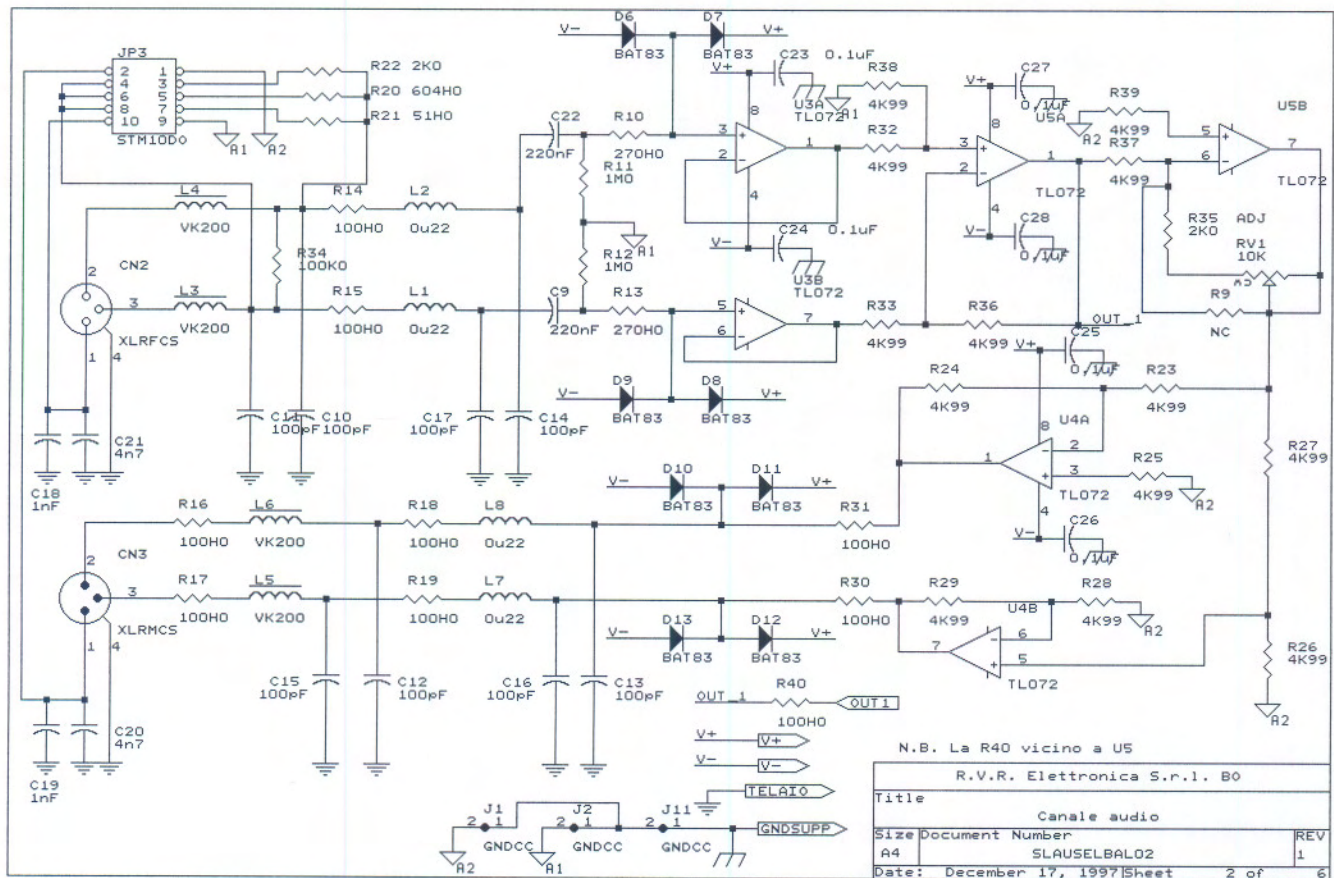
TAVOLA n di

## Audio Channel Card - SLAUSELBAL001

- 1 Circuit Diagram
- 2 Components Layout



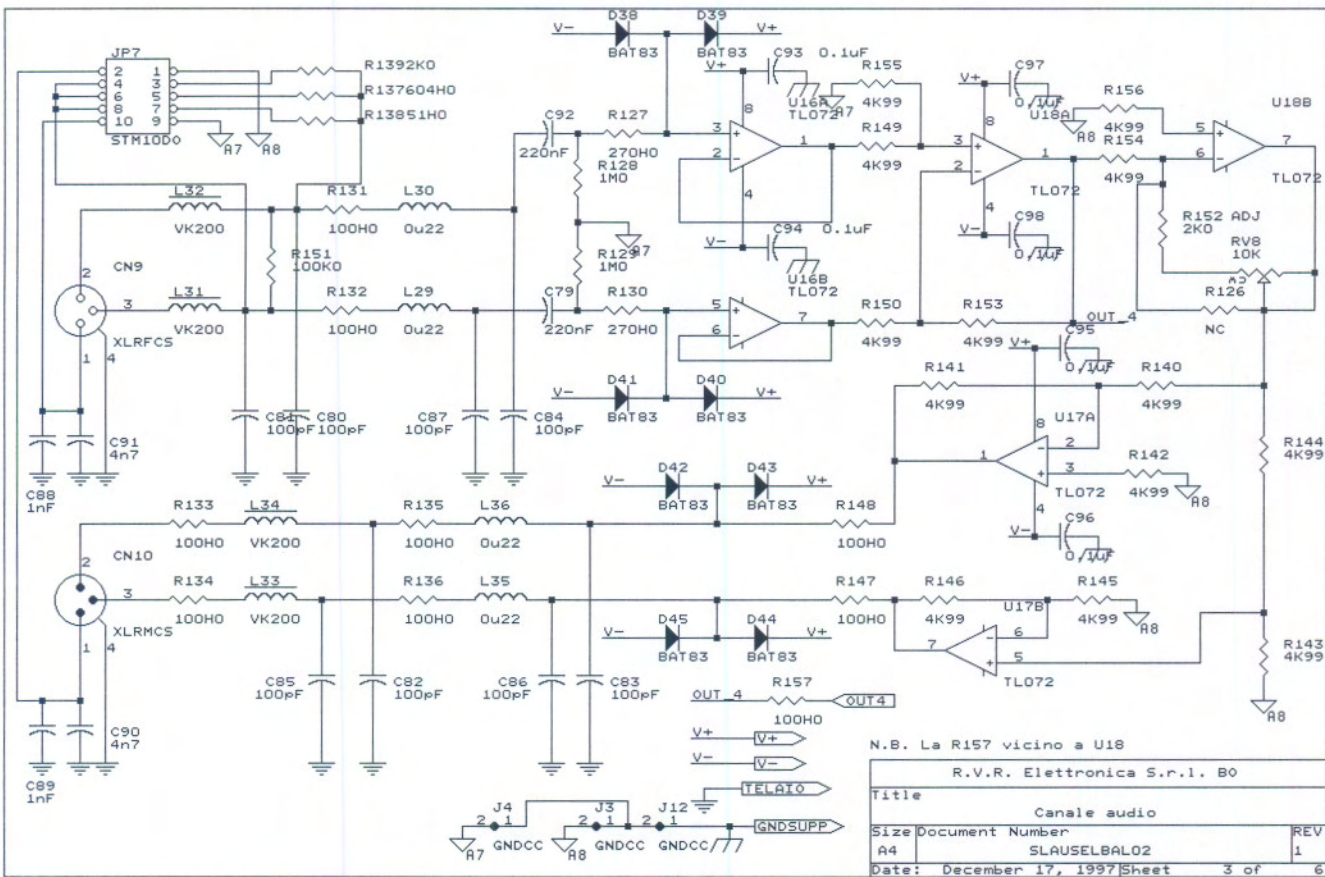




N.B. La R40 vicino a U5

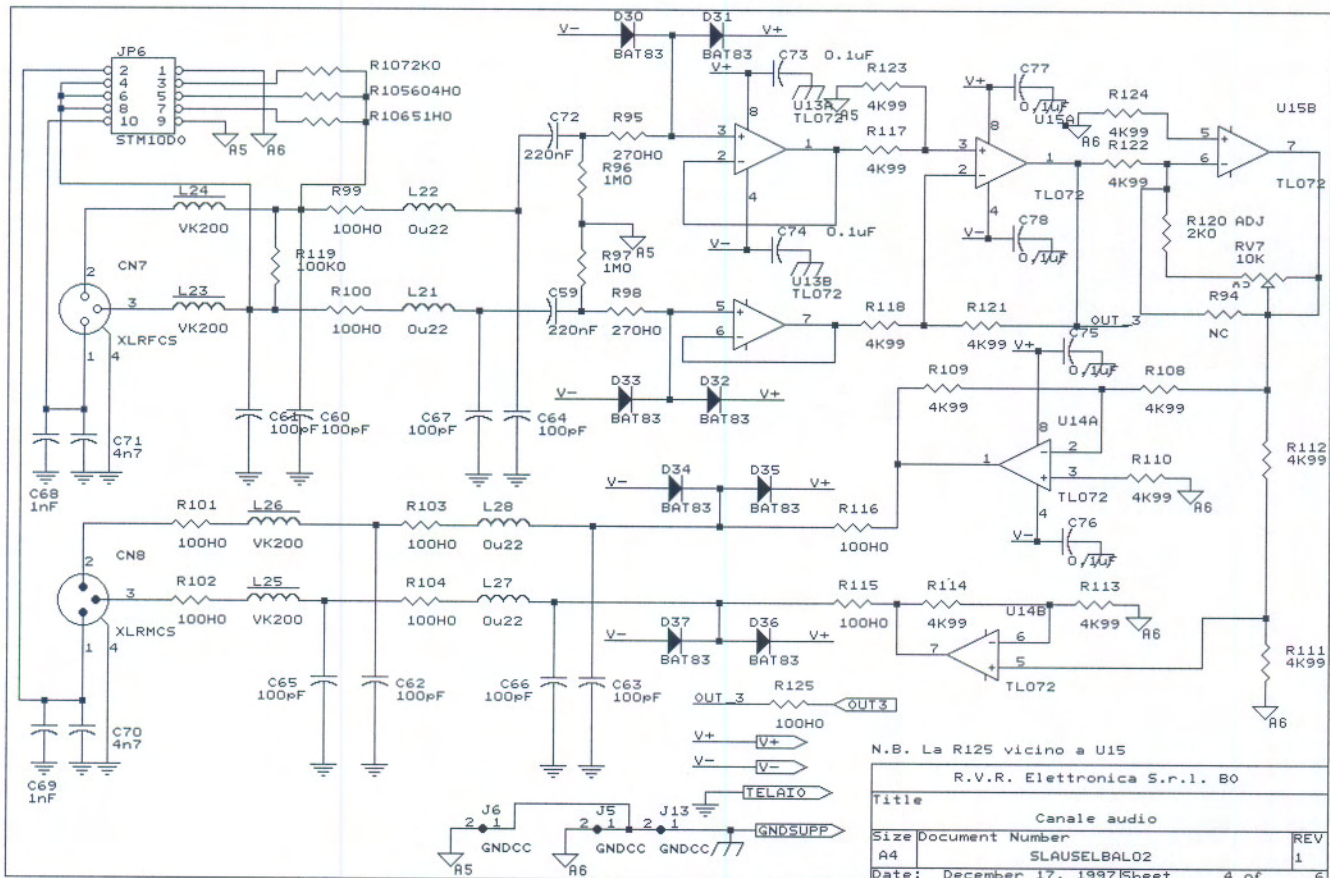
R.V.R. Elettronica S.r.l. B0		
Title	Canale audio	
Size	Document Number	REV
A4	SLAUSELBAL02	1
Date:	December 17, 1997	Sheet 2 of 6





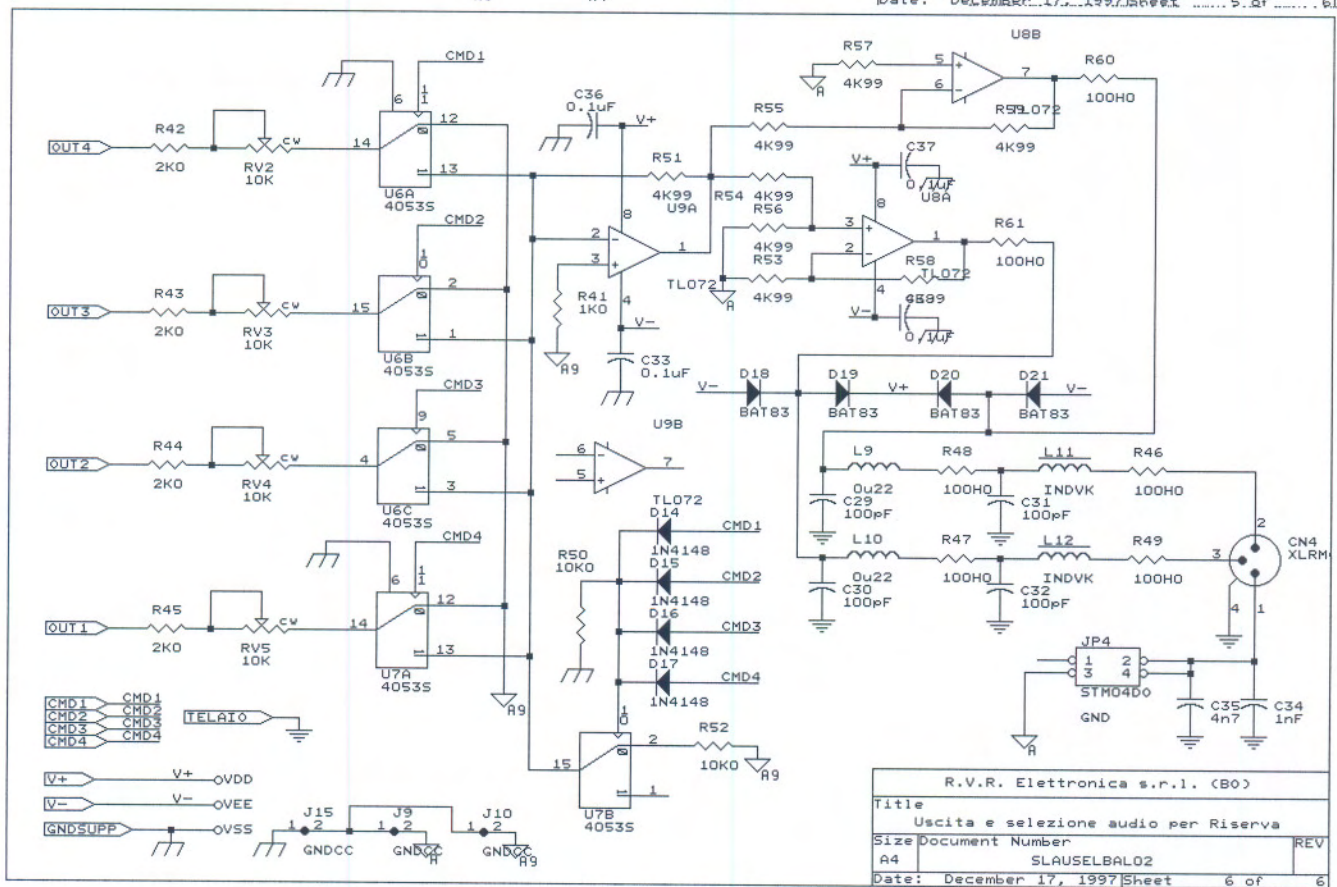
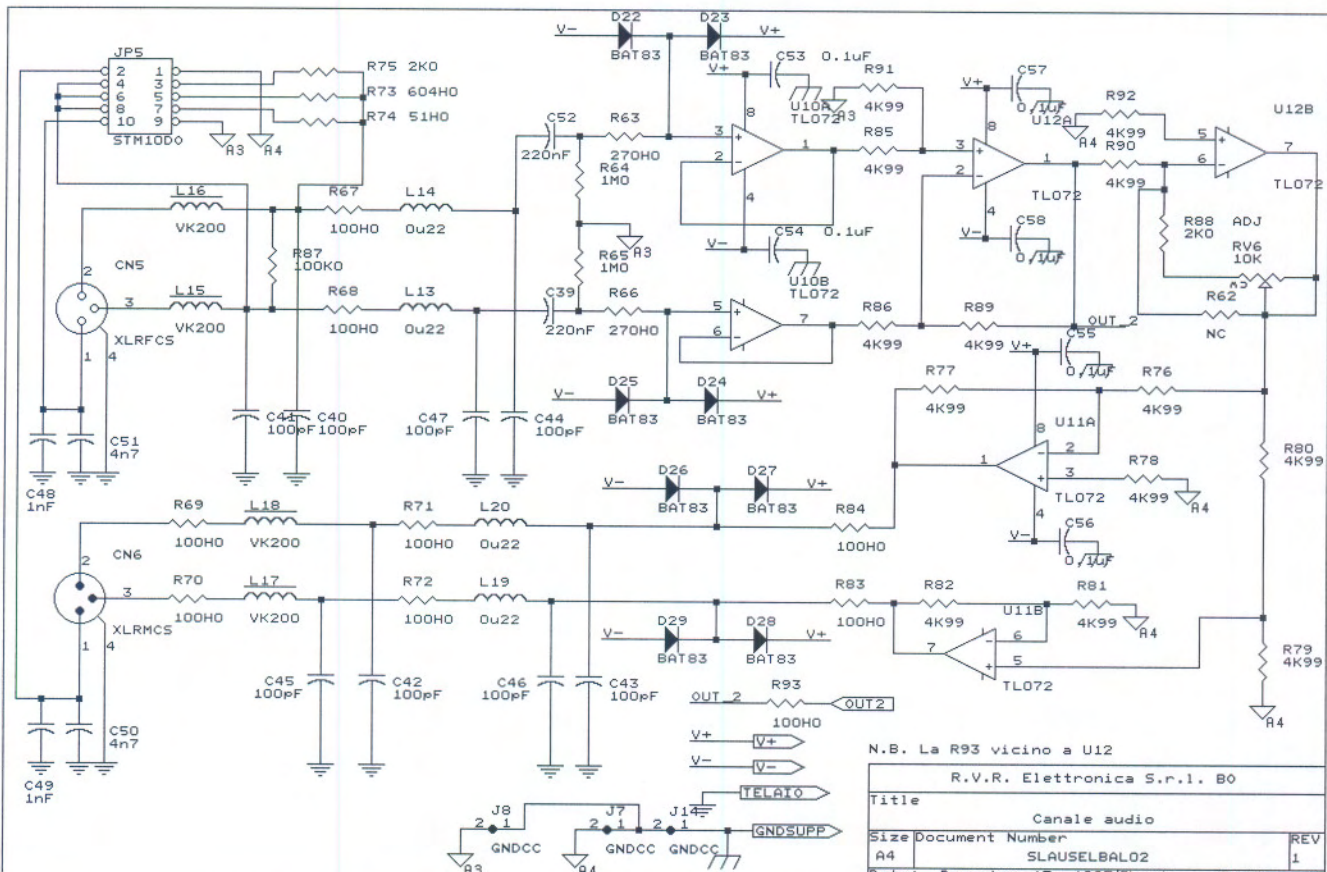
N.B. La R157 vicino a U18

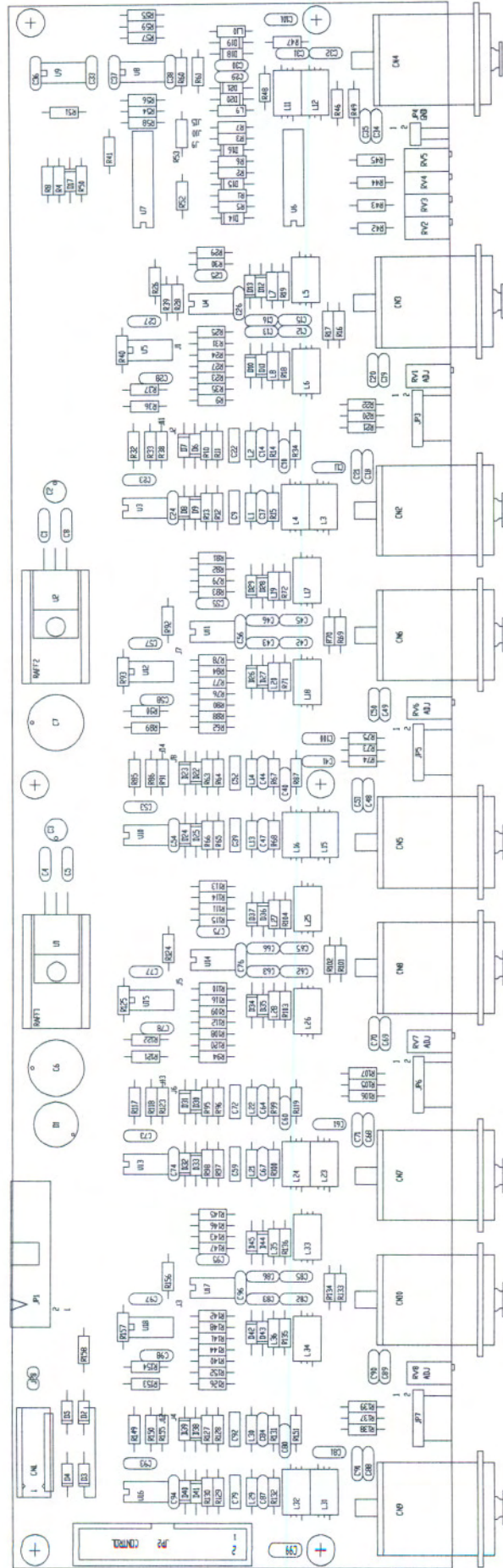
R.V.R. Elettronica S.r.l. BO	
Title	Canale audio
Size	Document Number
A4	SLAUSELBA02
Date:	December 17, 1997
Sheet	3 of 6



R.V.R. Elettronica S.r.l. B0		
Title		
Canale audio		
Size	Document Number	REV
A4	SLAUSELBAL02	1
Date:	December 17, 1997	Sheet 4 of 6







DENOMINAZIONE  
Audio Channel Board Component Layout - SLAUSELBAL02  
DISPOSITIVO



SEMILAVORATO

MATERIALE

TRATTAMENTO

DISEGNATO  
D'Alessio D.ii

SCALA

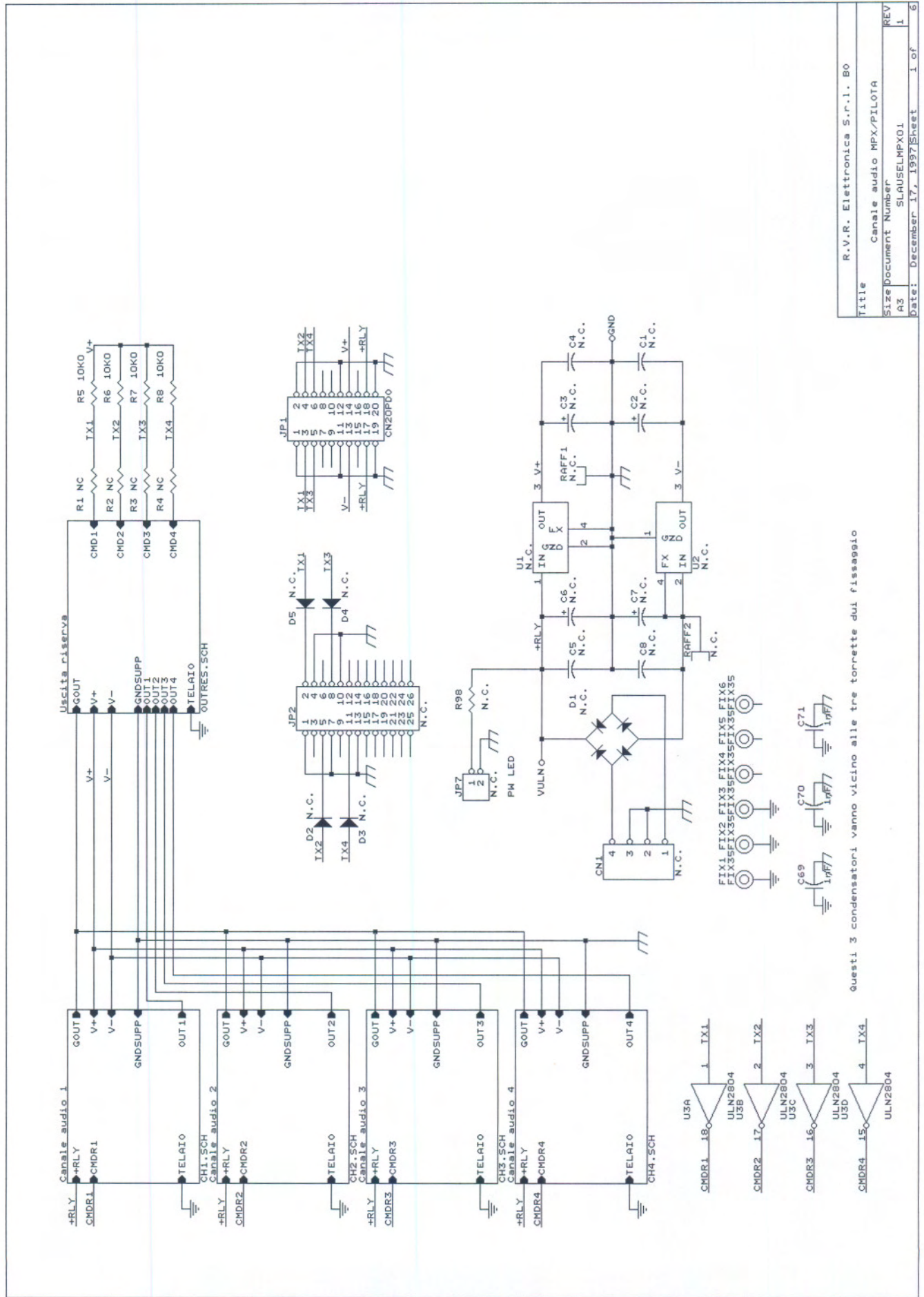
TAVOLA n

di



MPX/PILOTA Audio Channel Card - SLAUSELMPX001

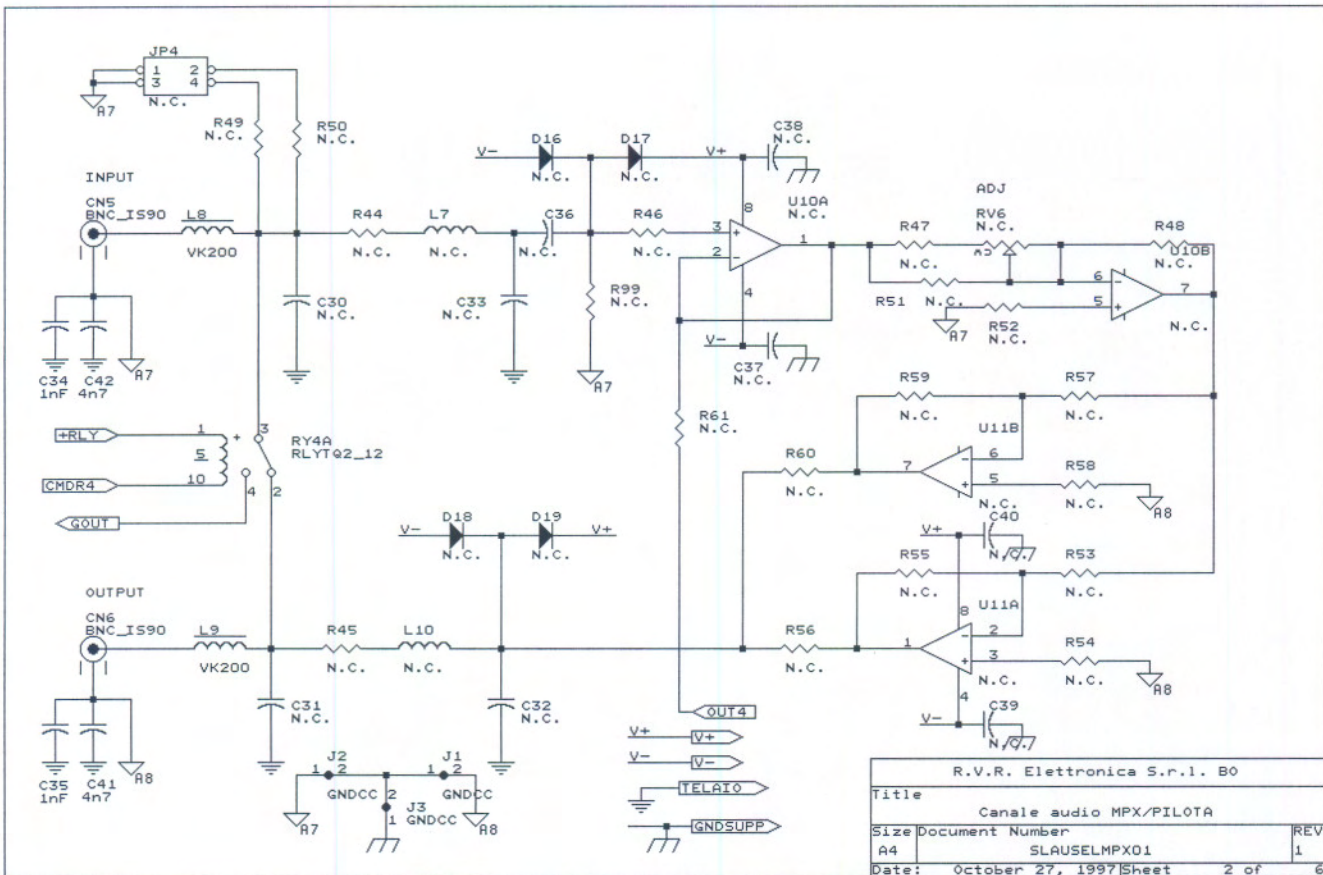
- 1 Circuit Diagram
- 2 Components Layout



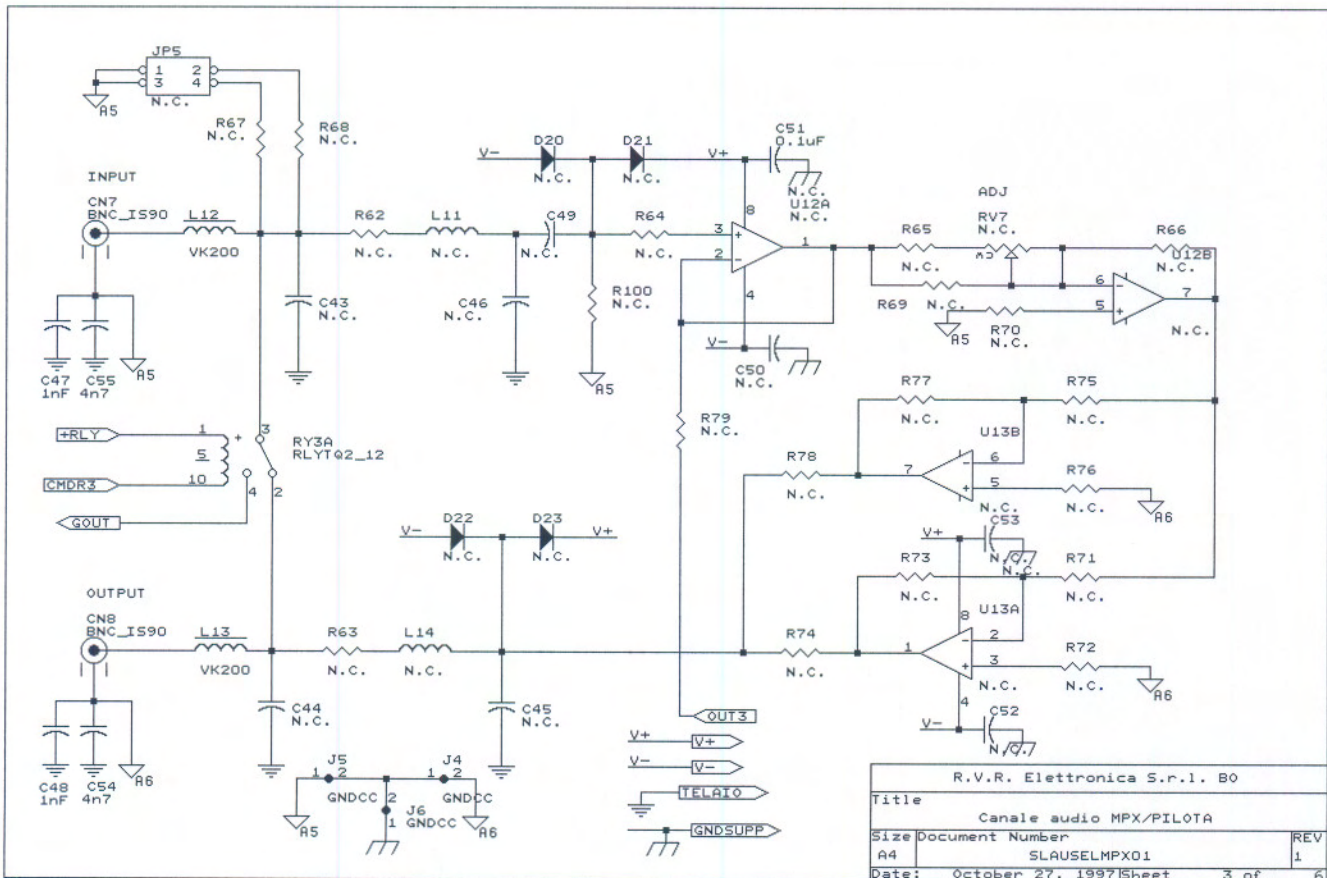
Questi 3 condensatori vanno vicini alle tre torrette dei fissaggio

R.V.R. Elettronica S.r.l. B0	
Titolo	Canale audio MPX/PILOTA
Size Document Number	SLAUSELMPX01
REV	1
Date:	December 17, 1997 Sheet 1 of 6

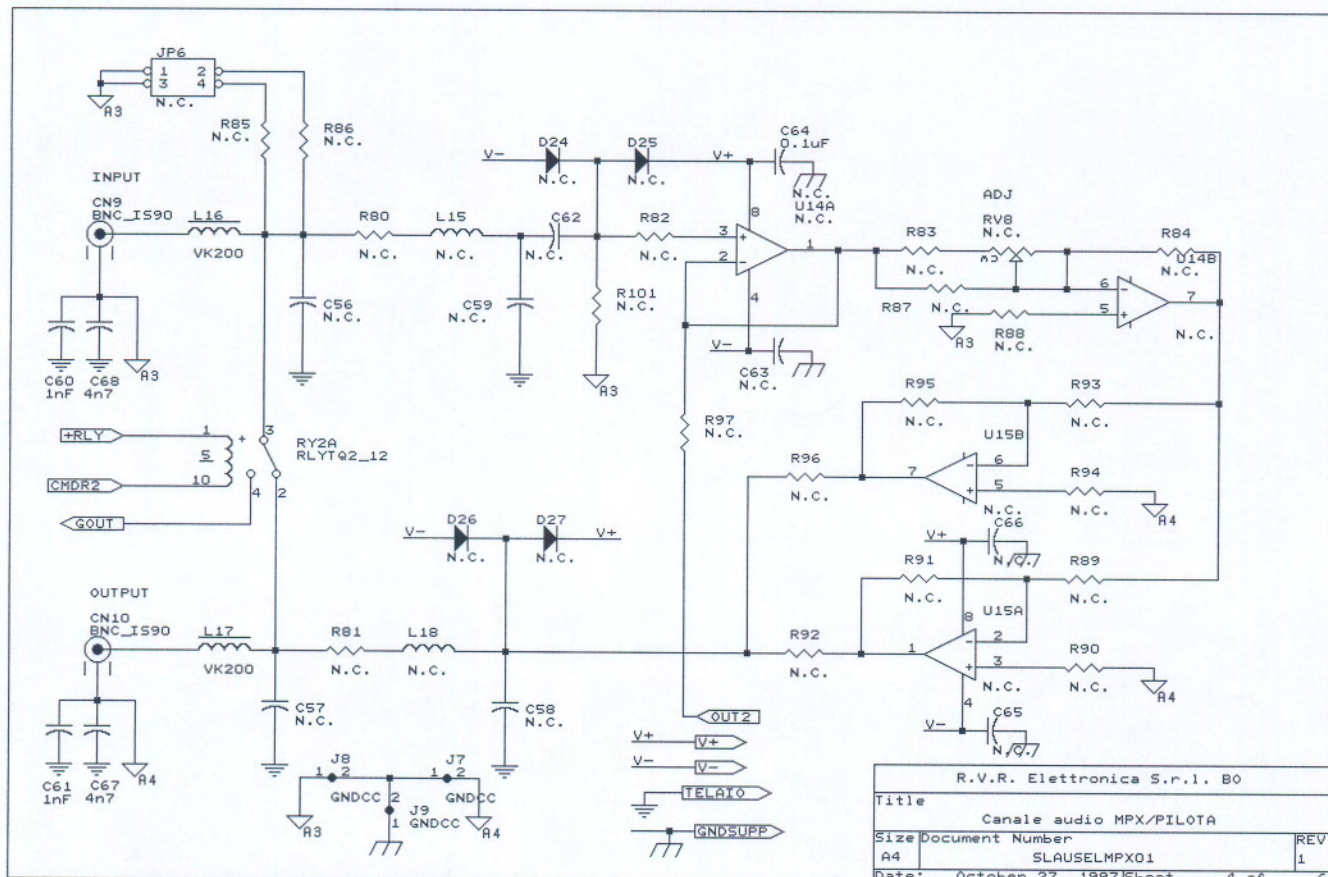




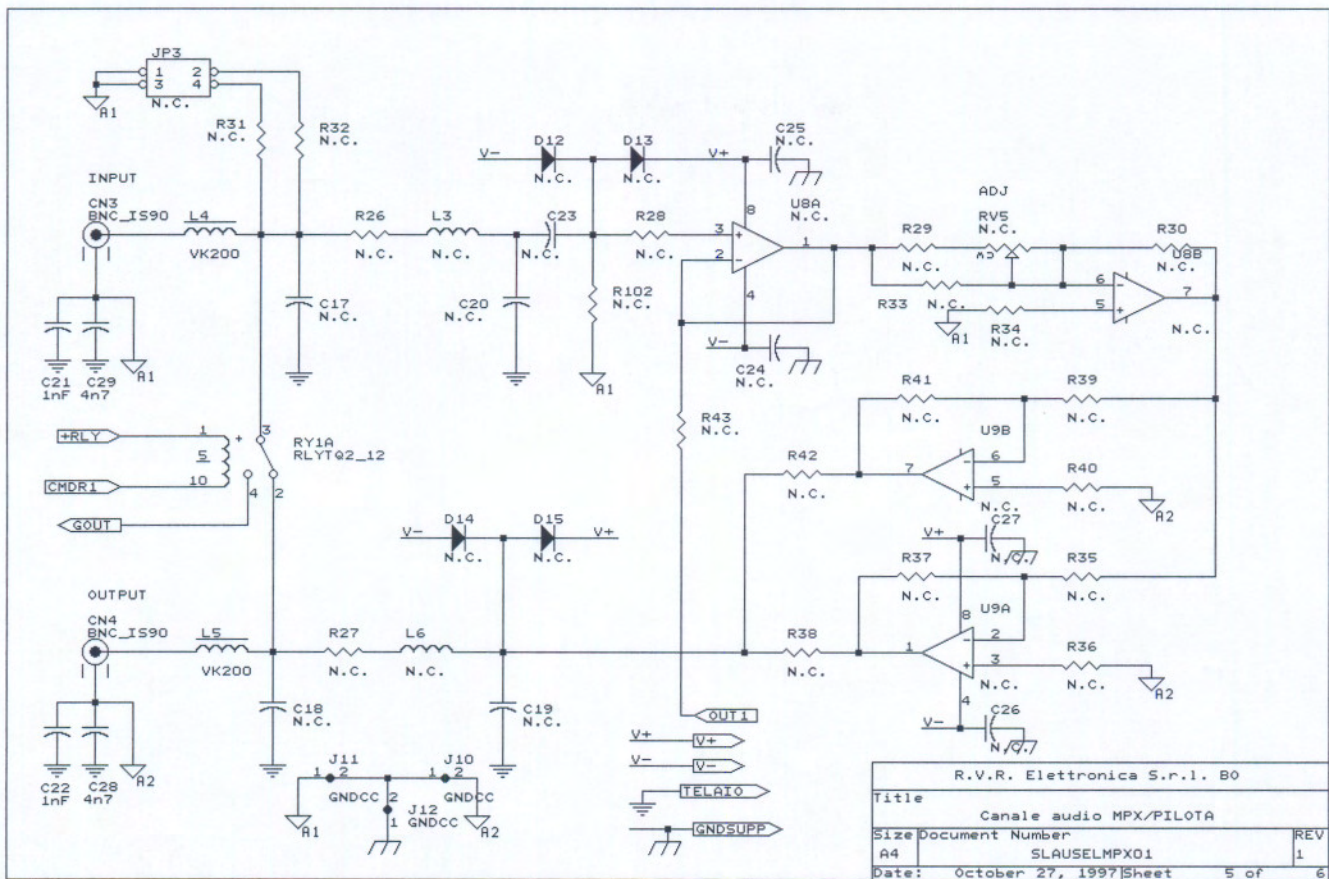
R.V.R. Elettronica S.r.l. B0		
Title		
Canale audio MPX/PILOTA		
Size	Document Number	REV
A4	SLAUSELMPX01	1
Date:	October 27, 1997	Sheet 2 of 6



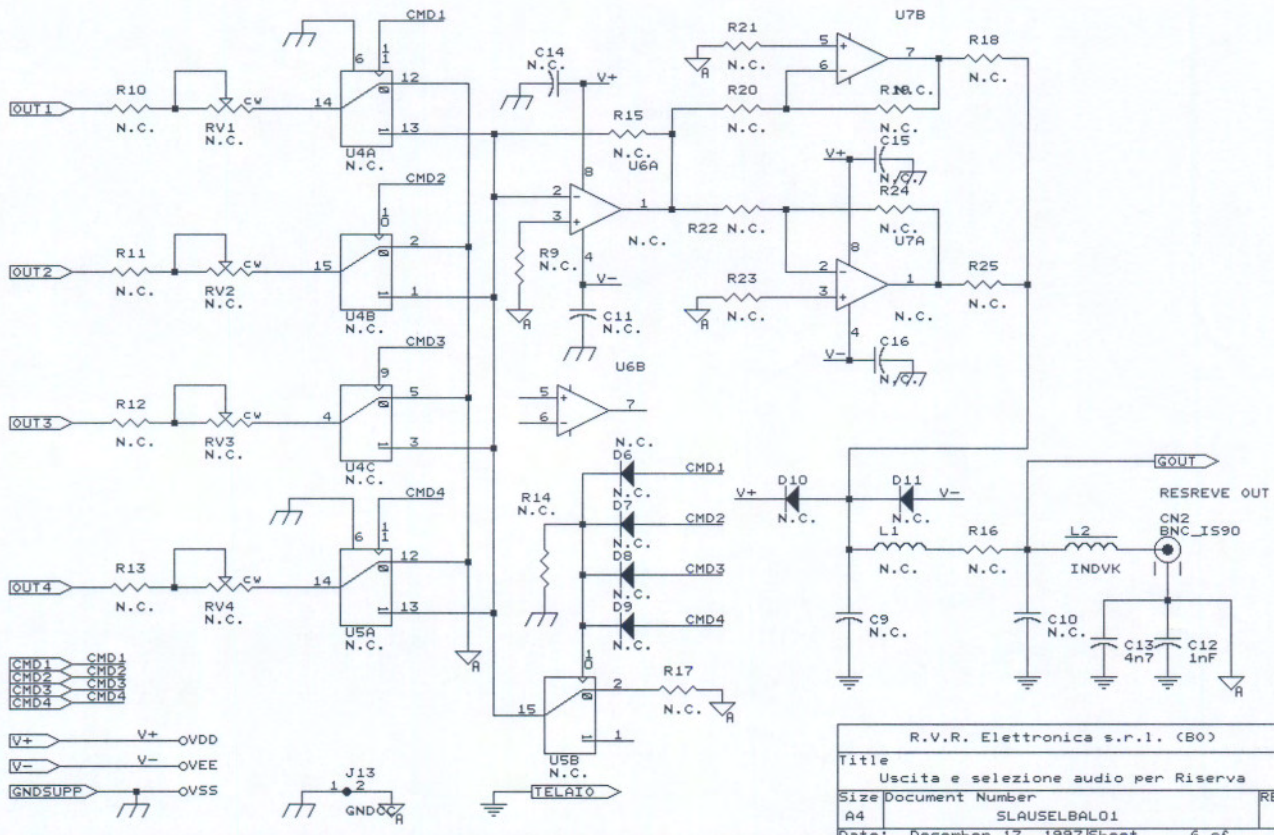
R.V.R. Elettronica S.r.l. B0		
Title		
Canale audio MPX/PILOTA		
Size	Document Number	REV
A4	SLAUSELMPX01	1
Date:	October 27, 1997	Sheet 3 of 6





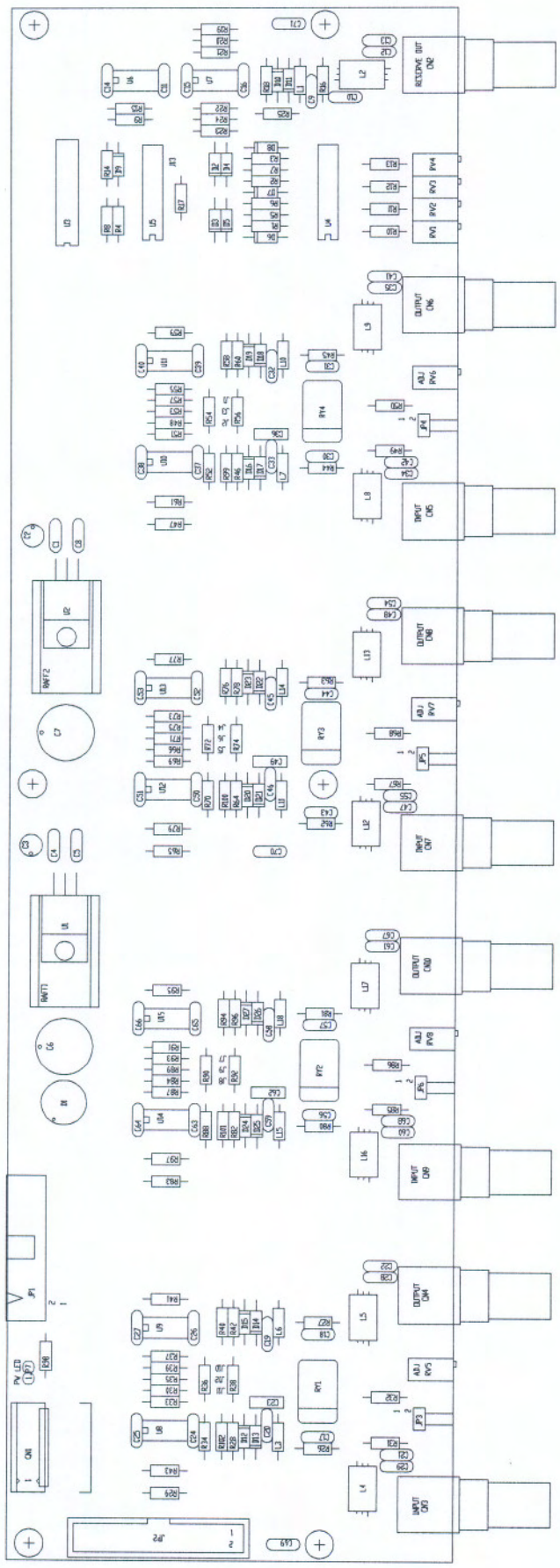


R.V.R. Elettronica S.r.l. BO		
Title		
Canale audio MPX/PILOTA		
Size	Document Number	REV
A4	SLAUSELMPX01	1
Date:	October 27, 1997	Sheet 5 of 6



R.V.R. Elettronica s.r.l. (B0)		
Title		
Uscita e selezione audio per Riserva		
Size	Document Number	REV
A4	SLAUSELBA01	
Date:	December 17, 1997	Sheet 6 of 6





DENOMINAZIONE  
MPX/Pilota Audio Channel Component Layout - SLAUSELMPX  
DISPOSITIVO



SEMILAVORATO  
MATERIALE  
TRATTAMENTO

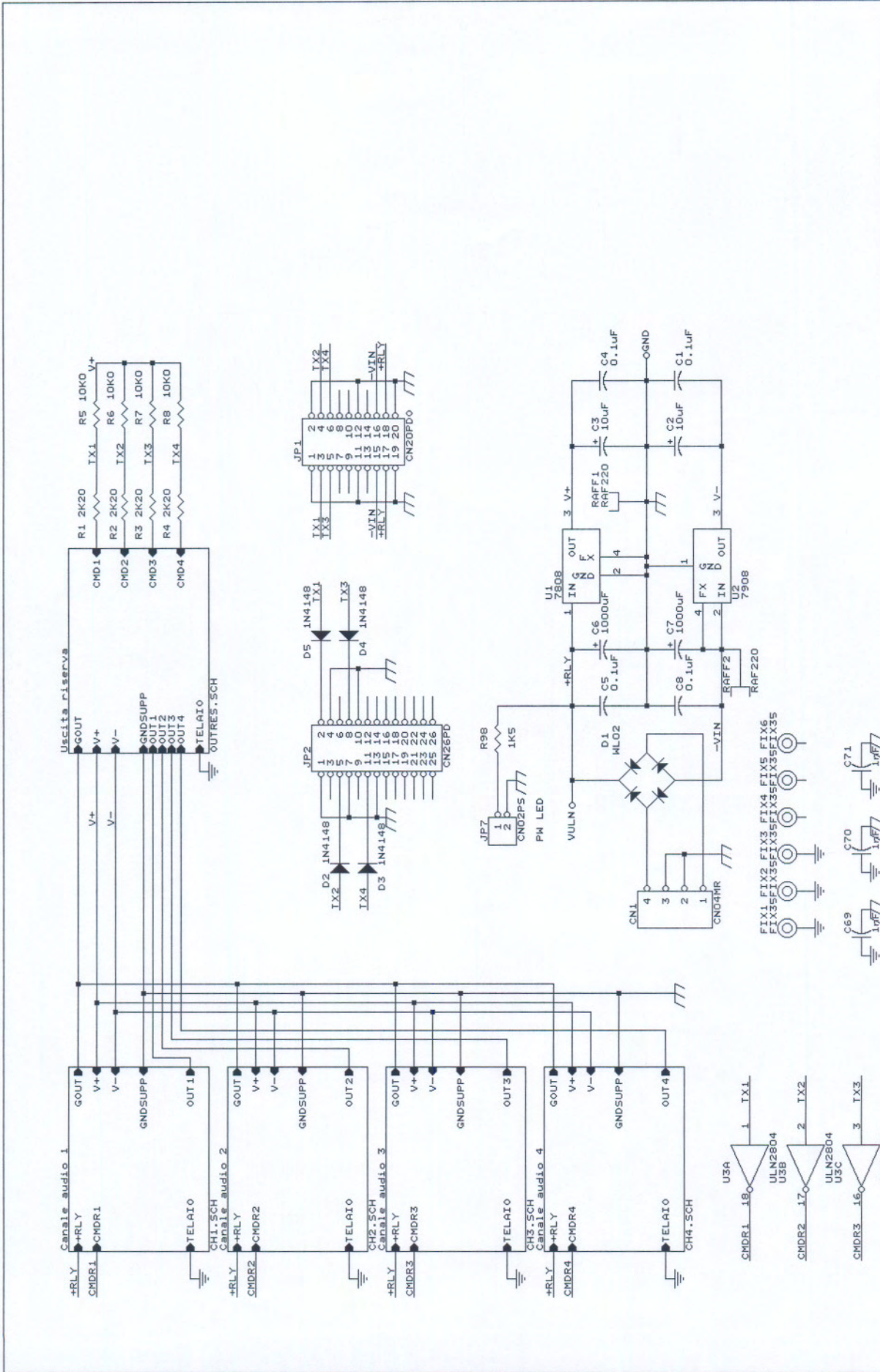
DISEGNATO  
D'Alessio D.ii

TAVOLA n. di



MPX/PILOTA Audio Channel Card - SLAUSELMPX002

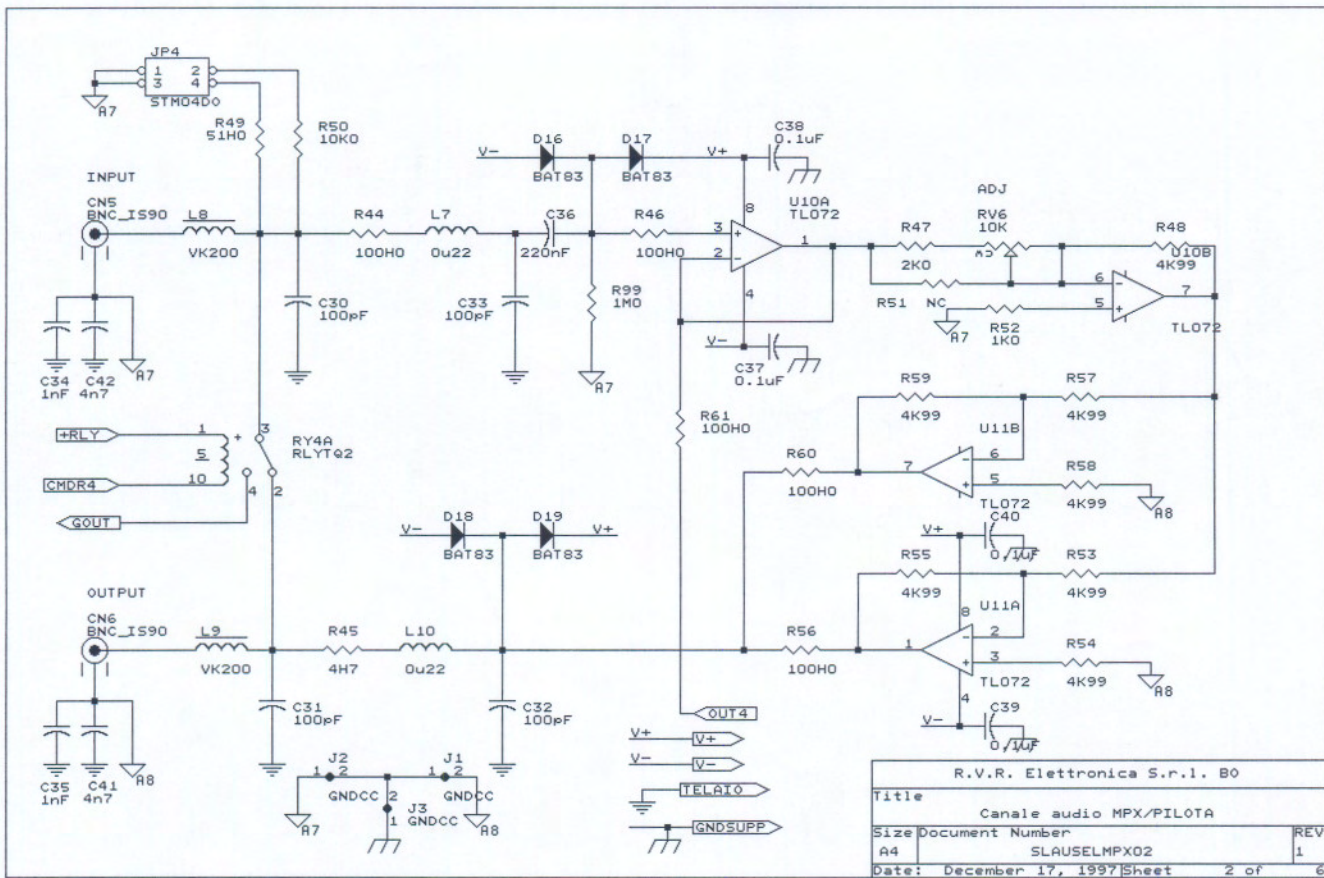
- 1 Circuit Diagram
- 2 Components Layout



Questi 3 condensatori vanno vicino alle tre torrette del fissaggio

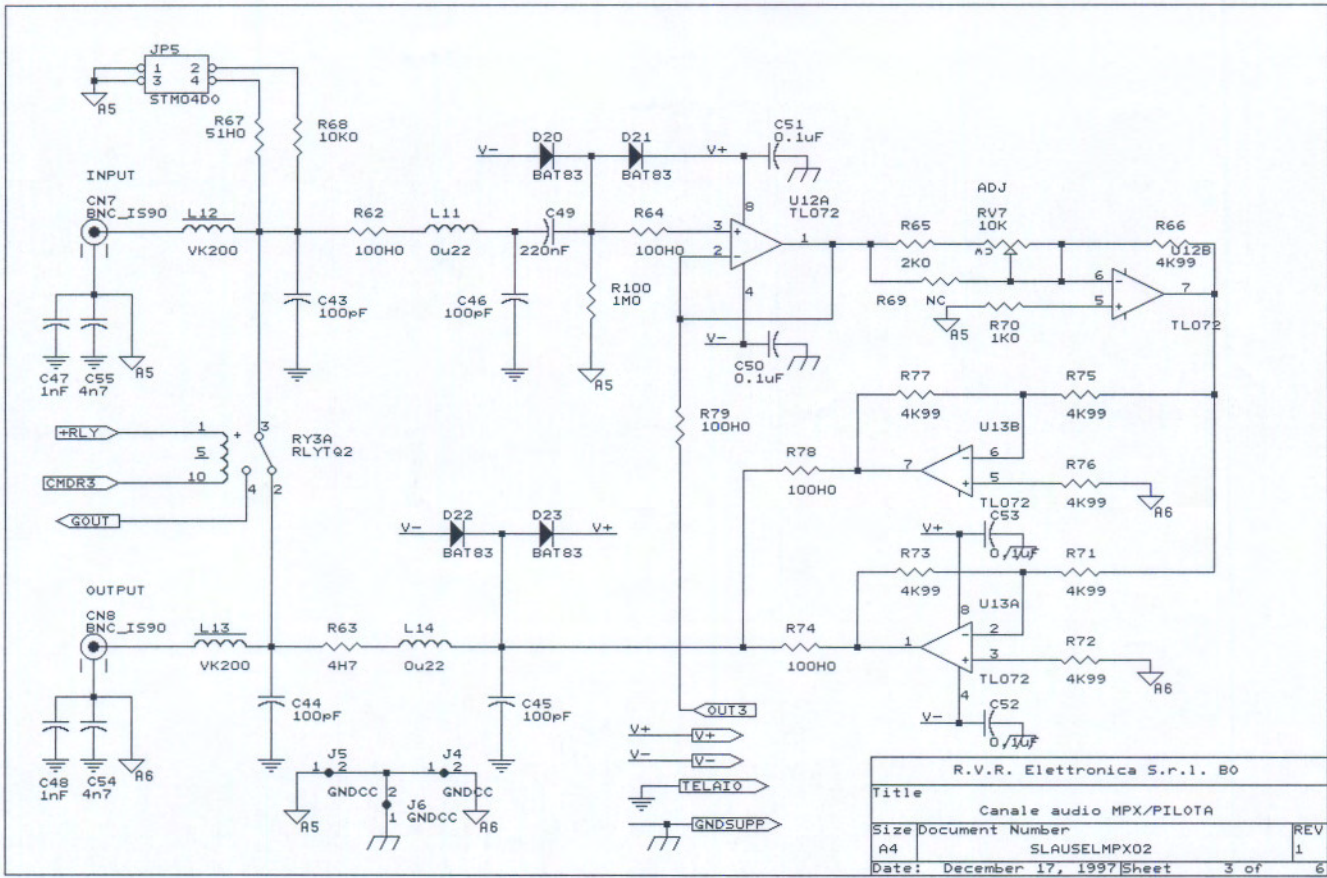
Title	R.V.R. Elettronica S.p.A. B0
Size	Canale audio MPX/PILOTA
Document Number	REV 1
AS	SLAUSELMPX02
Date	December 17, 1997 Sheet 1 of 6



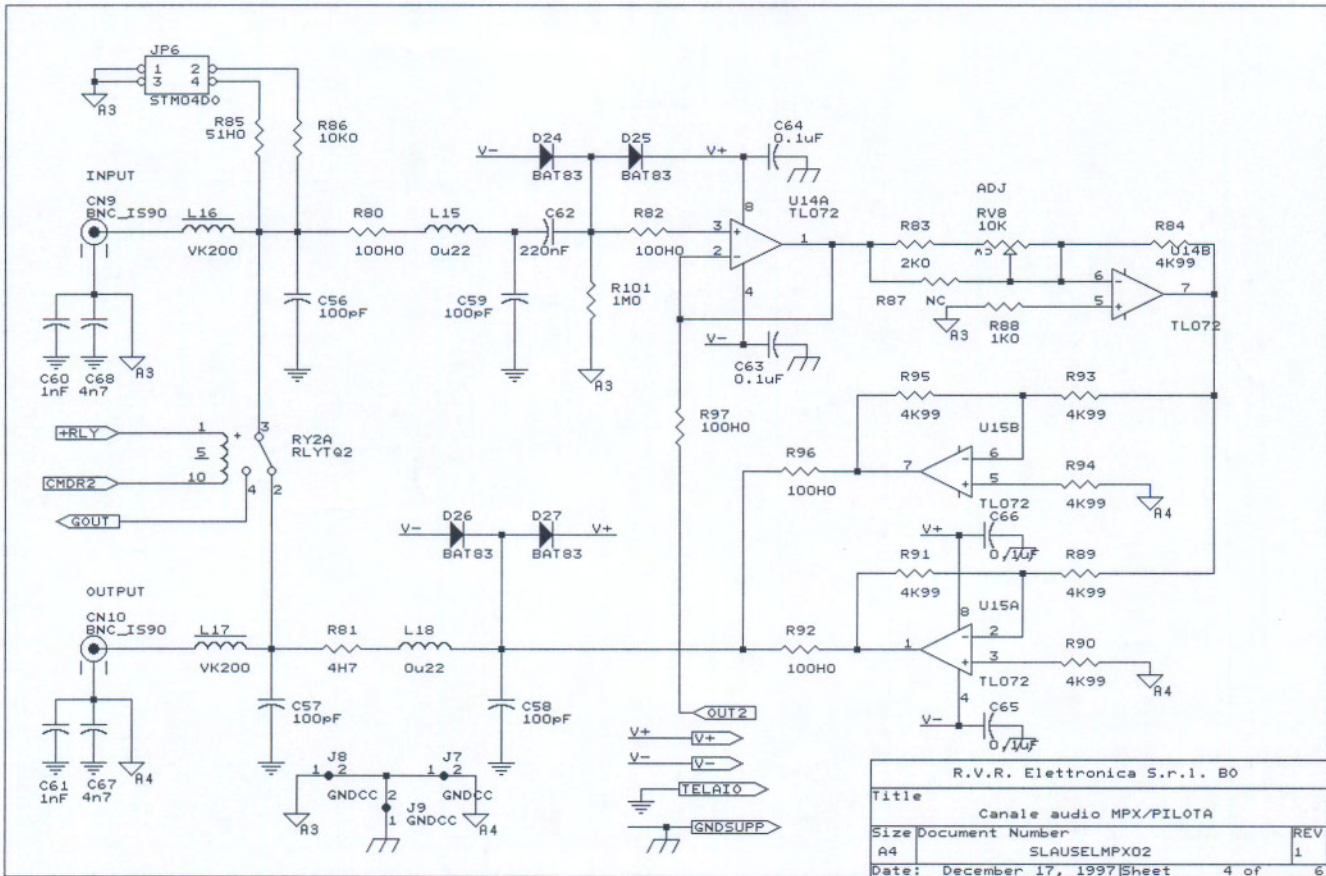


R.V.R. Elettronica S.r.l. B0		
Title	Canale audio MPX/PILOTA	
Size	Document Number	REV
A4	SLAUSELMPX02	1
Date:	December 17, 1997	Sheet 2 of 6

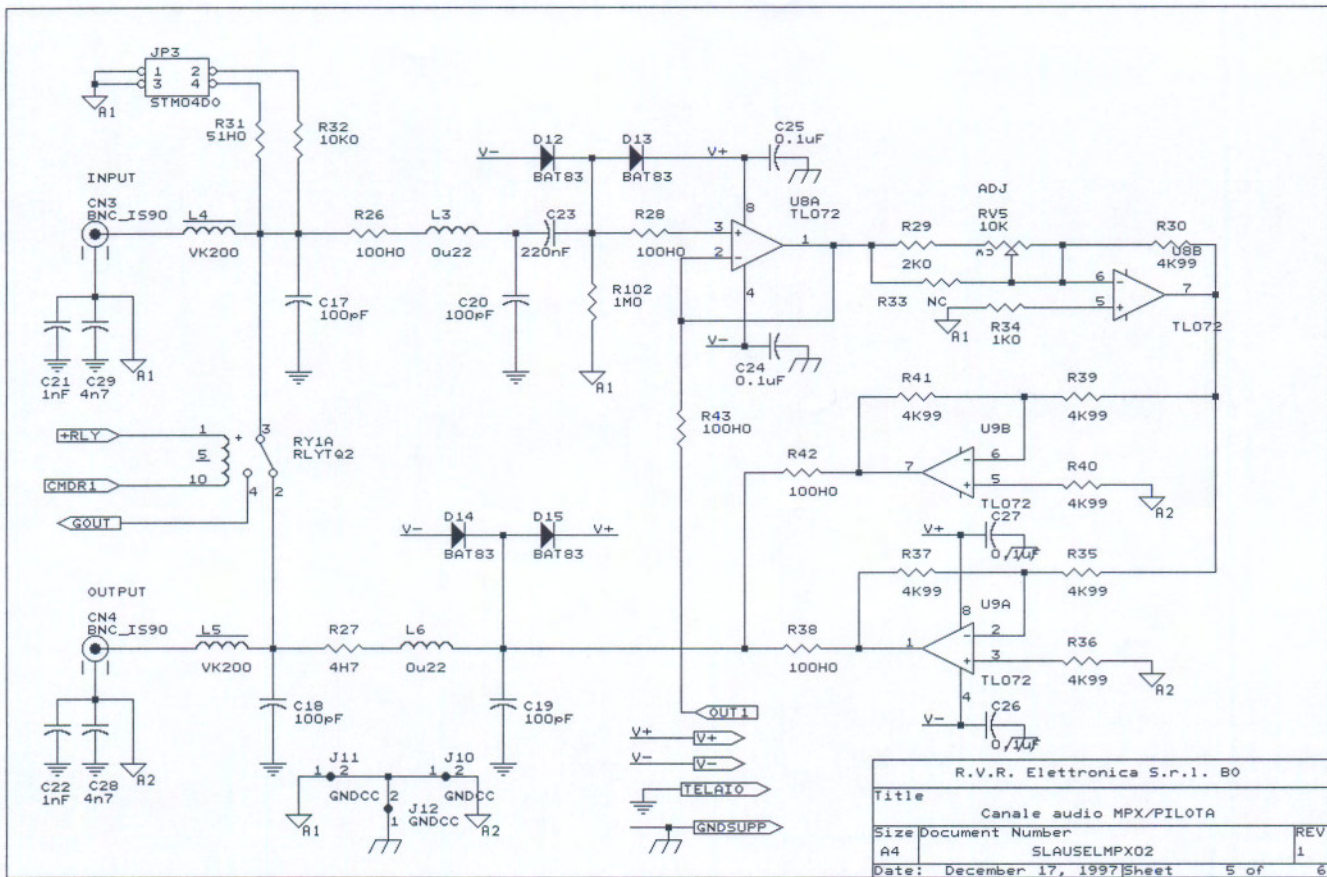




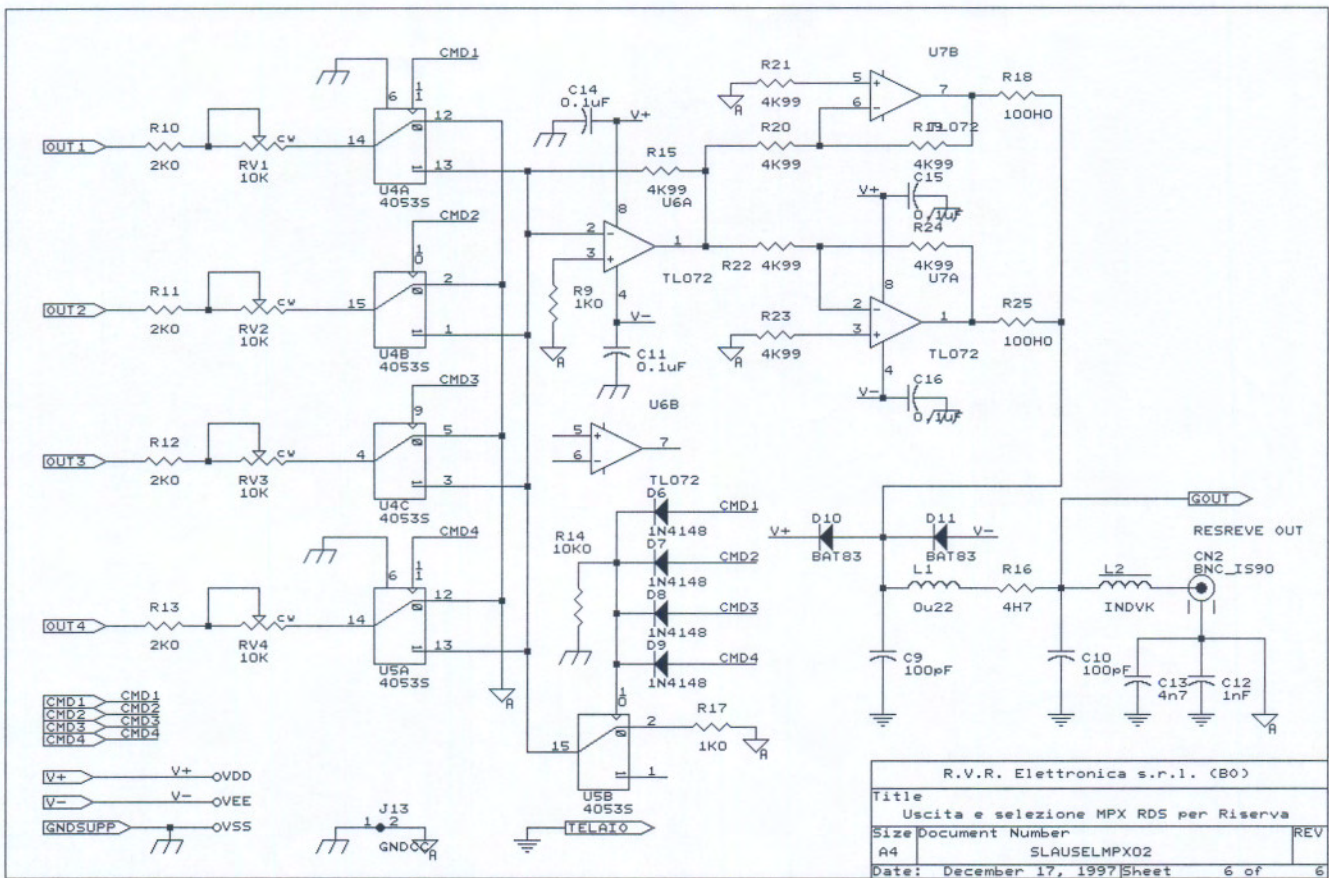
R.V.R. Elettronica S.r.l. B0		
Title Canale audio MPX/PILOTA		
Size A4	Document Number SLAUSELMPX02	REV 1
Date: December 17, 1997		Sheet 3 of 6

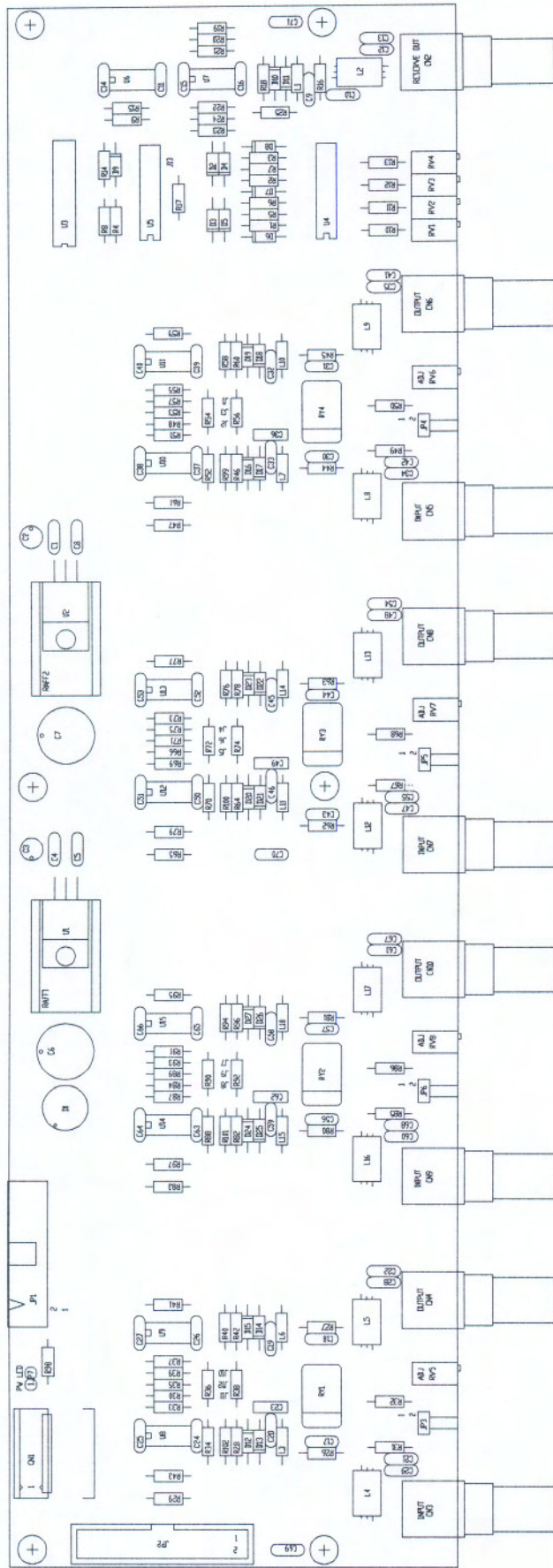












DENOMINAZIONE  
MPX/Pilota Audio Channel Component Layout - SLAUSELMPX



SEMILAVORATO

MATERIALE

TRATTAMENTO

DISEGNATO  
D'Alessio D.11

SCALA

TAVOLA n

di