



# TEX3500LCD

TECHNICAL ANNEX  
VOLUME 2



## Appendix A Piani di montaggio, schemi elettrici, liste componenti / *Component layouts, schematics, bills of material*

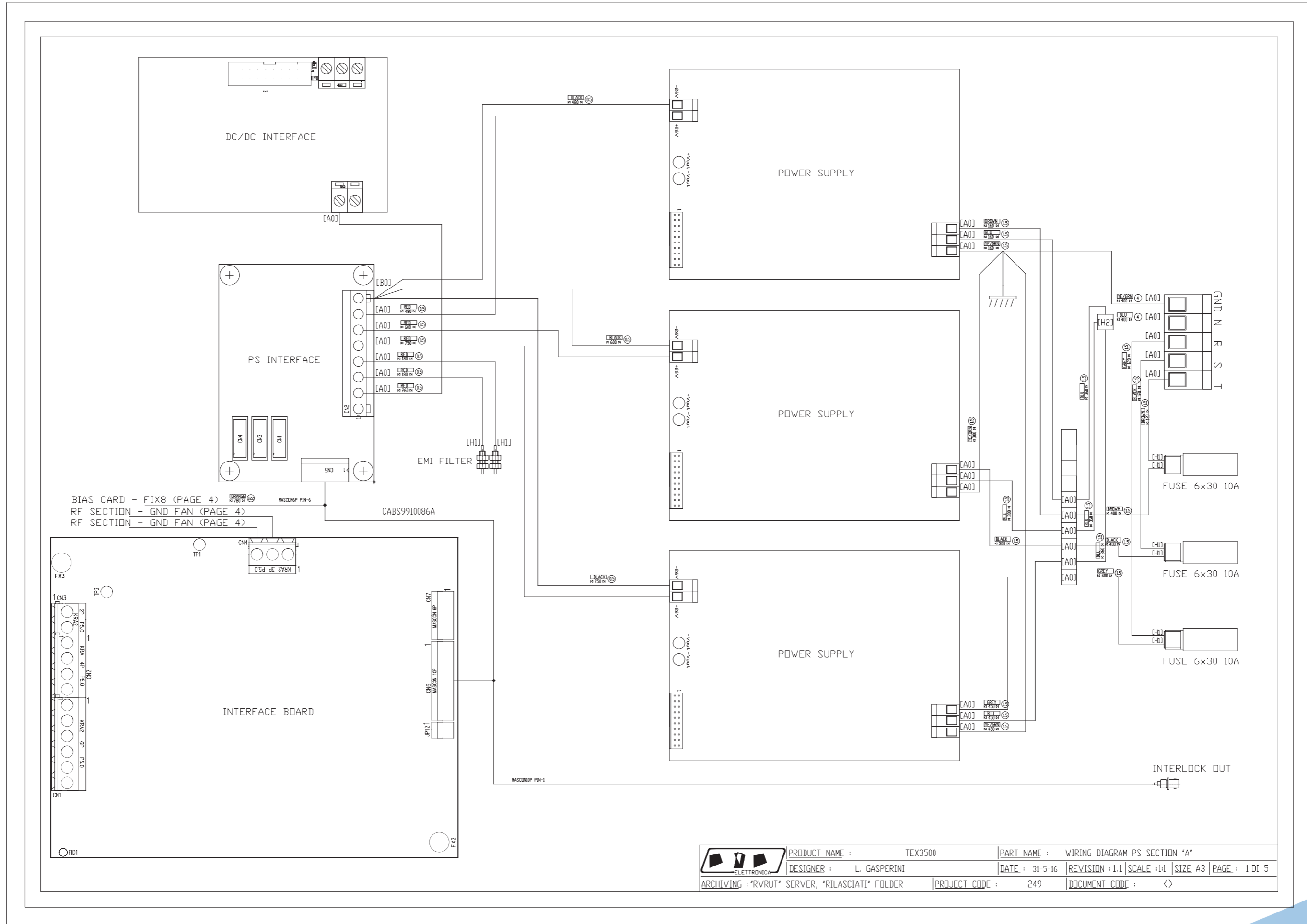
Questa parte del manuale contiene i dettagli tecnici riguardanti la costruzione delle singole schede componenti il TEX3500LCD. L'appendice è composta dalle seguenti sezioni:

*This part of the manual contains the technical details about the different Cards of the TEX3500LCD. This appendix is composed of the following sections:*

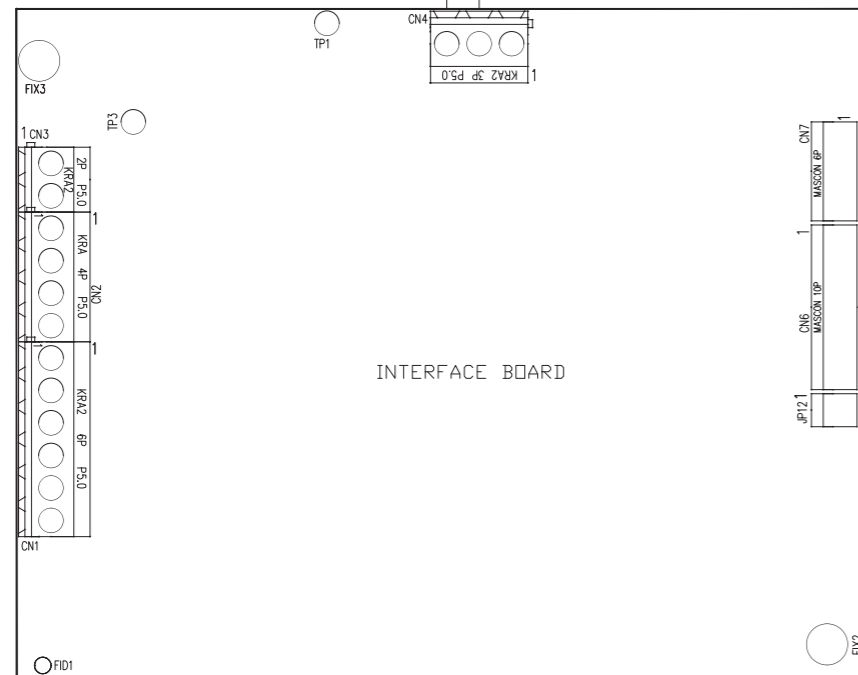
Description	RVR Code	Vers.	Page
Wiring Diagram	TEX3500LCD Version	1.0	1
Main Board	SLMA0383R01V01	1.6	6
Driver Card	SL237DR1001	1.3	11
Splitter Card	SL176SP1001	1.0	14
R.F. Card	SL245RF1001	1.0	16
Combiner Card	SL249CM1001	1.0	19
LPF Card	SL249LP1001	1.0	21
Power Supply Interface Card	SLIN0440R01V01	1.0	24
Power Supply	PSL4248	1.0	26
Fuse Card	SL176FU1001	1.1	27
Panel Card	SLPC0436R01V03	1.0	29
BIAS Card	SLBI0439R01V01	1.1	32
Interface Card	SLIN0363R02V02	1.0	35
Pass Through Card	SSL176FI1001	1.1	38
DB15 Flat Filter Card	SLDB15FFILF2A	1.0	40
Directional Coupler Card	SL249DC1001	1.0	42
Telemetry Card	SLTLMTXLCD03	2.2	44
Stereo Coder Card	SLCTC30V03	1.2	47

### Document History

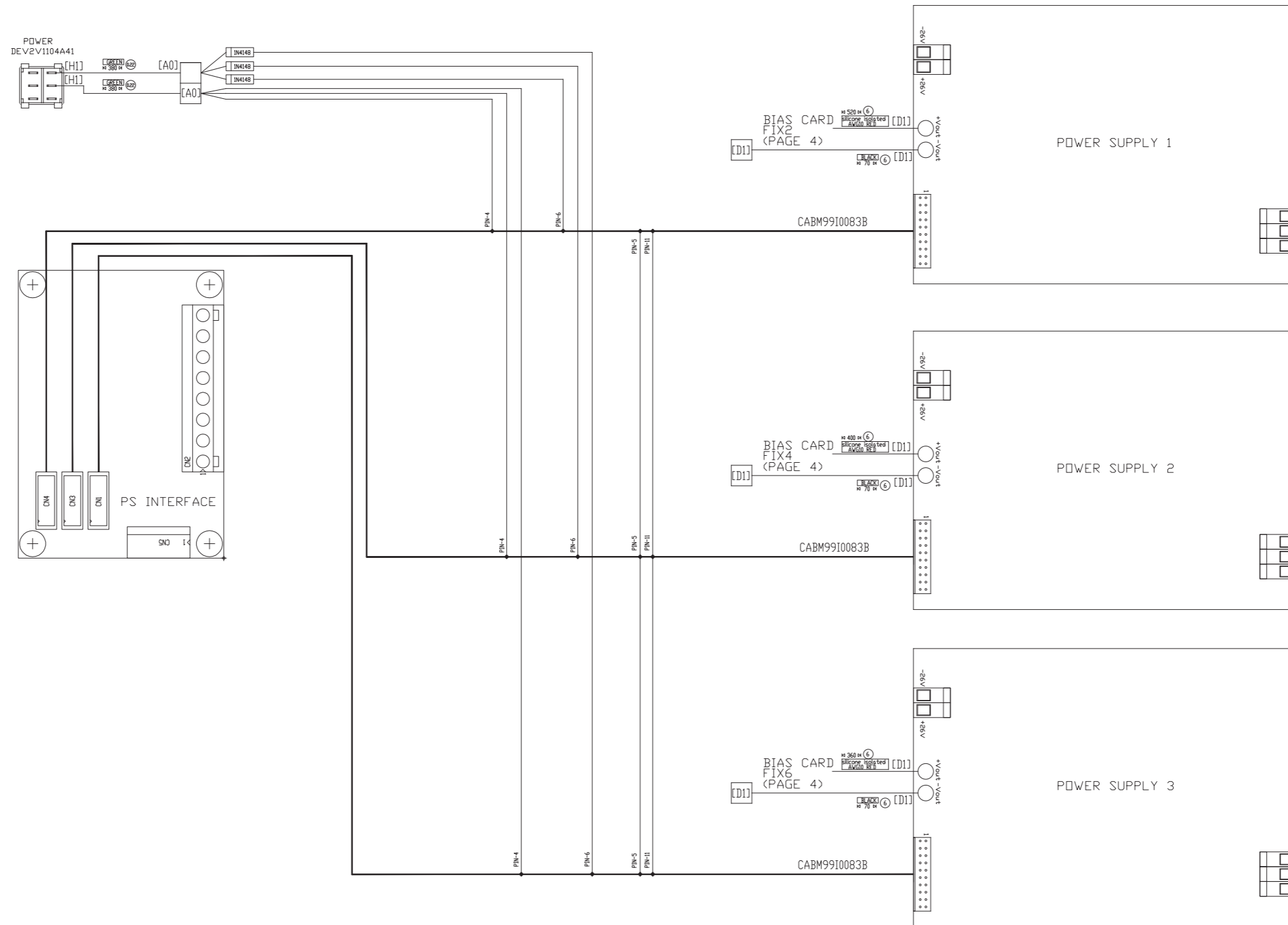
Date	Version	Reason	Code	Editor
01/07/2016	1.0	First Release	/	J.H. Berti



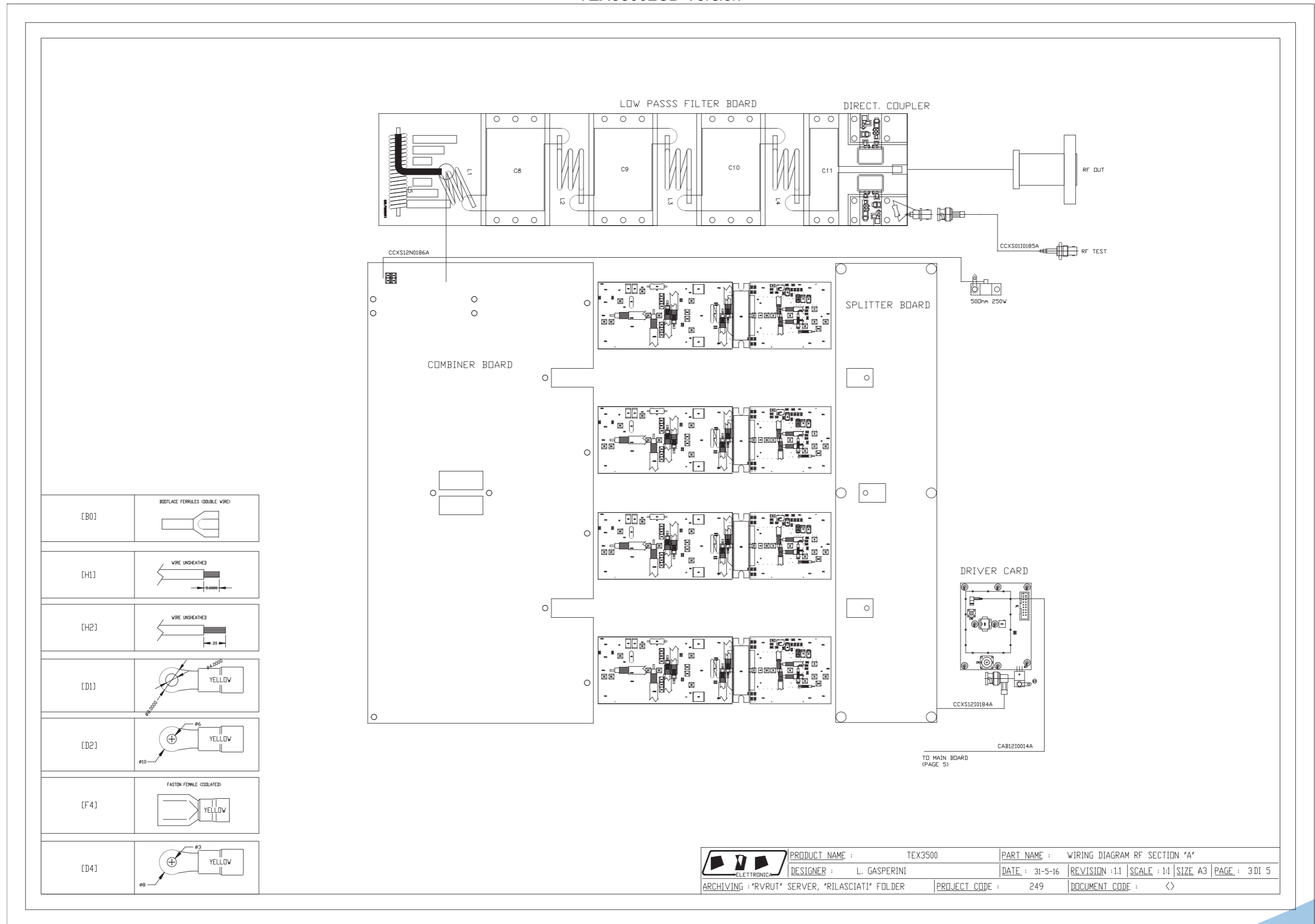
BIAS CARD - FIX8 (PAGE 4)  
RF SECTION - GND FAN (PAGE 4)  
RF SECTION - GND FAN (PAGE 4)



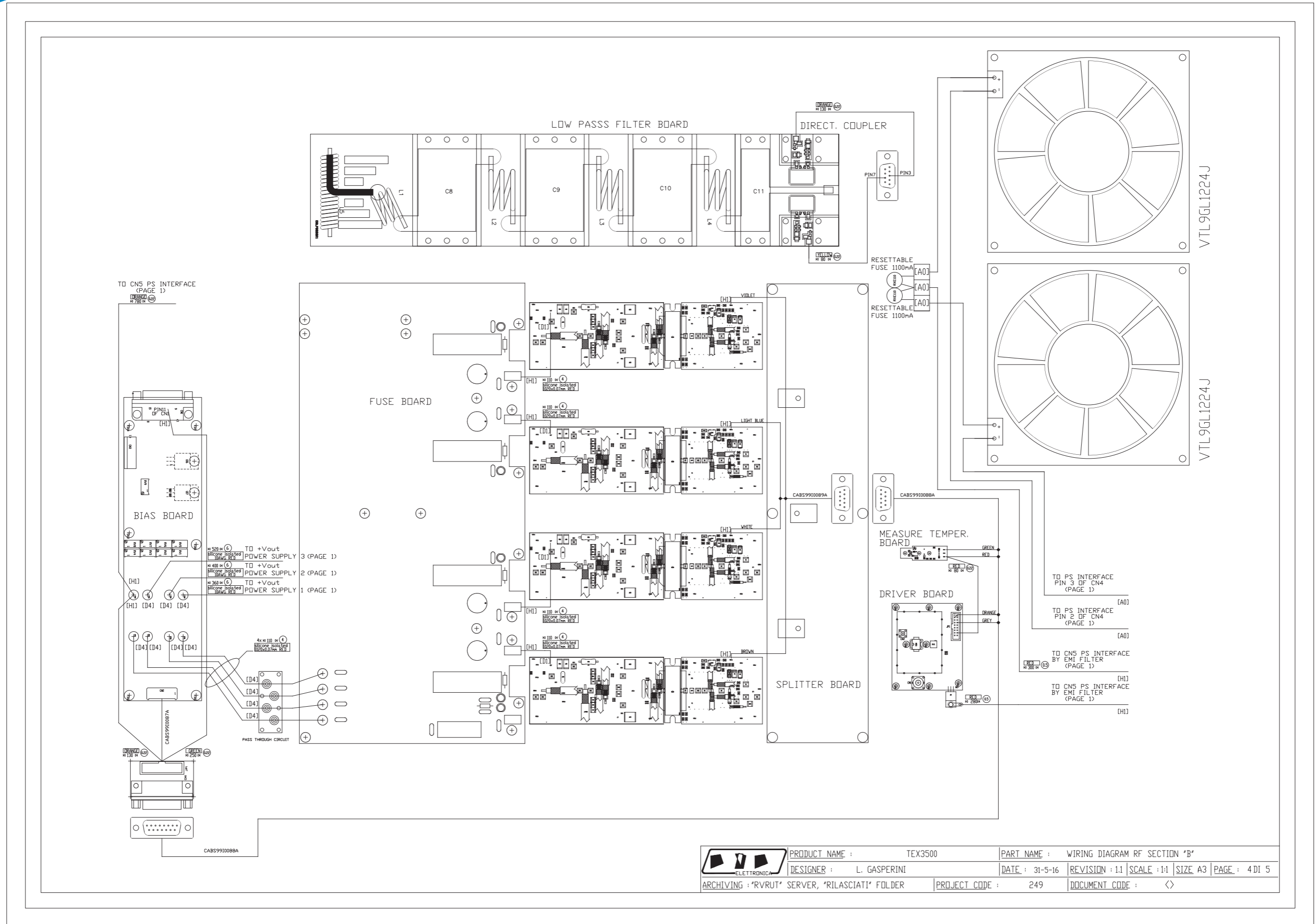
	PRODUCT NAME :	TEX3500	PART NAME :	WIRING DIAGRAM PS SECTION 'A'	
	DESIGNER :	L. GASPERINI	DATE :	31-5-16	
ARCHIVING :	'RVRUT' SERVER, 'RILASCIATI' FOLDER	PROJECT CODE :	249	DOCUMENT CODE :	<>
			REVISION :	+1.1	
			SCALE :	+1:1	
			SIZE :	A3	
			PAGE :	1 DI 5	



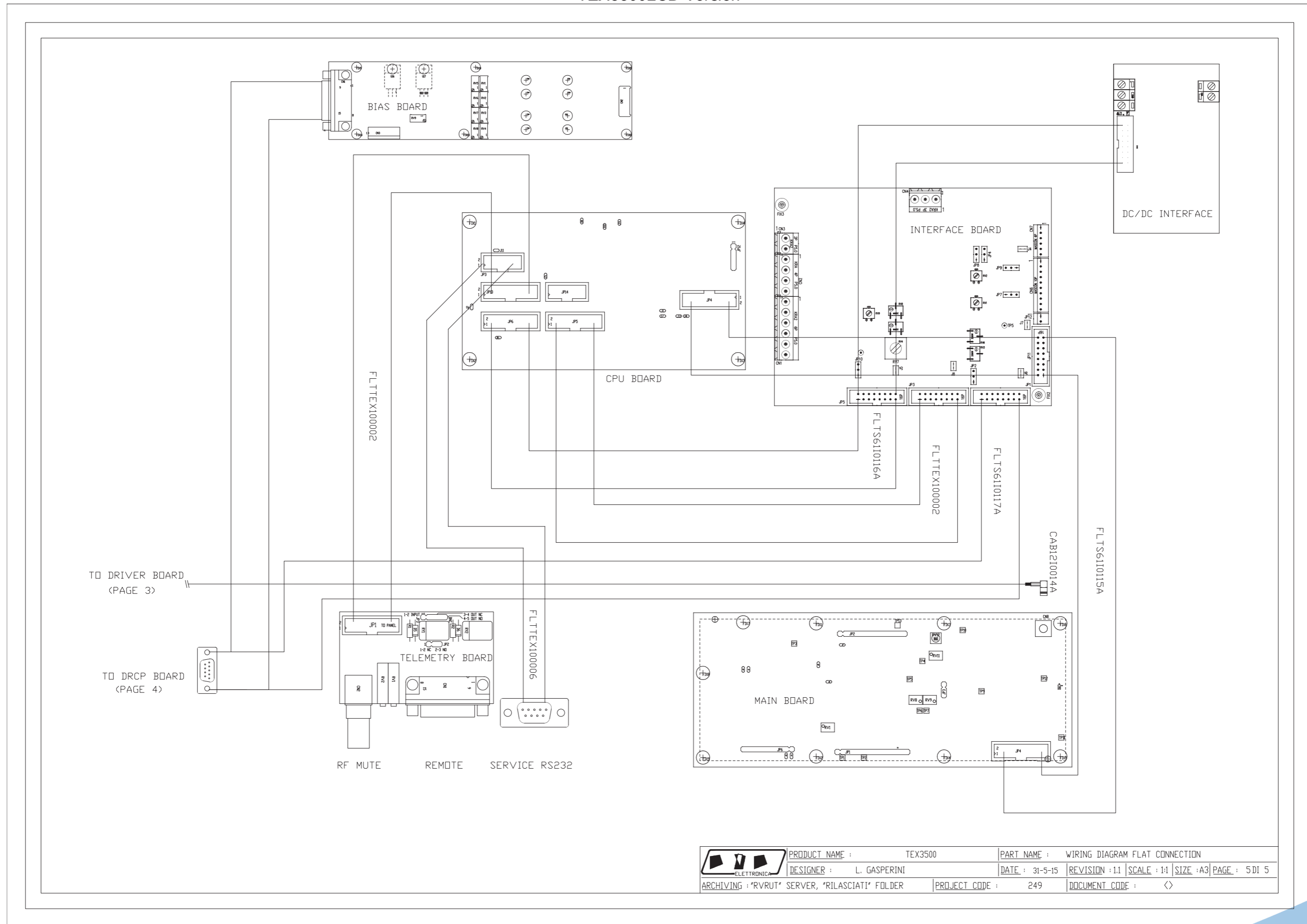
	PRODUCT NAME :	TEX3500	PART NAME :	WIRING DIAGRAM PS SECTION 'B'							
	DESIGNER :	L. GASPERINI	DATE :	31-5-16	REVISION :	1.1	SCALE :	1:1	SIZE :	A3	PAGE :
ARCHIVING : 'RVRUT' SERVER, 'RILASCIATI' FOLDER			PROJECT CODE :	249	DOCUMENT CODE :			<			



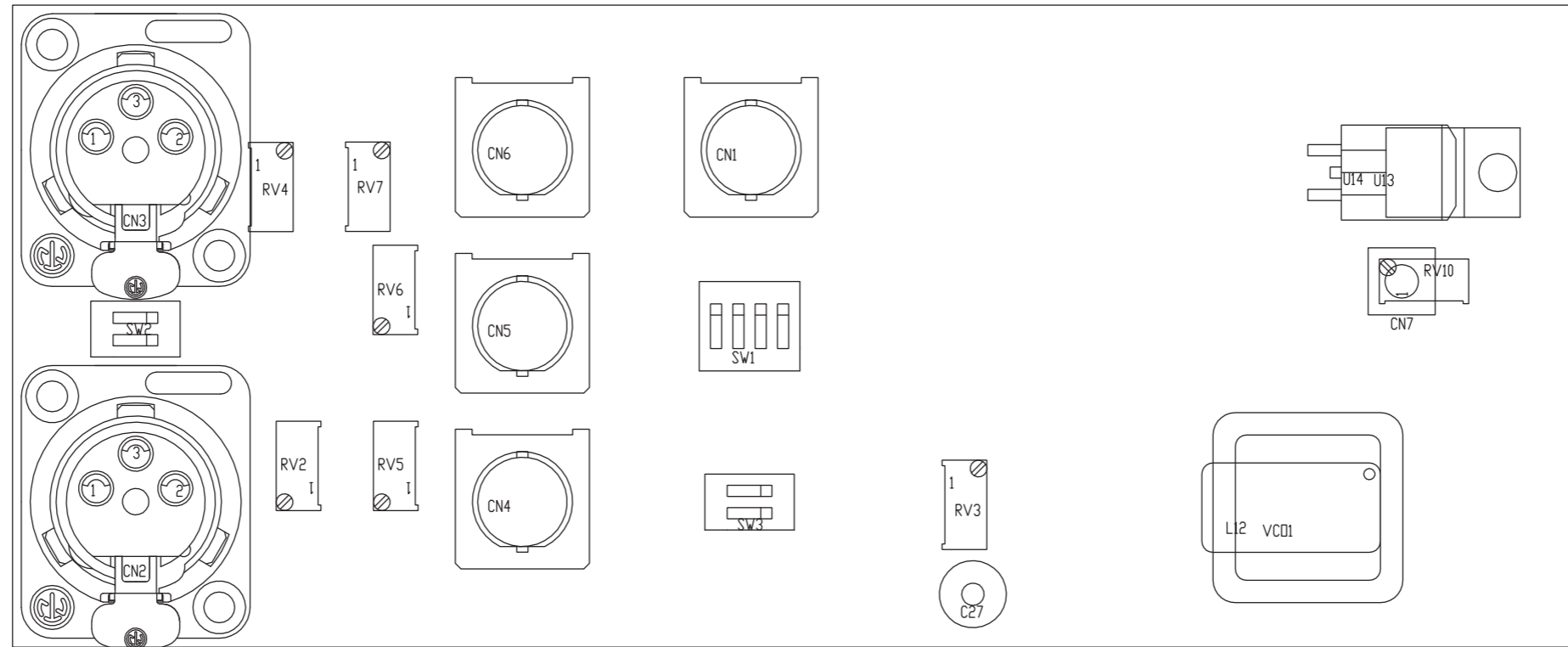
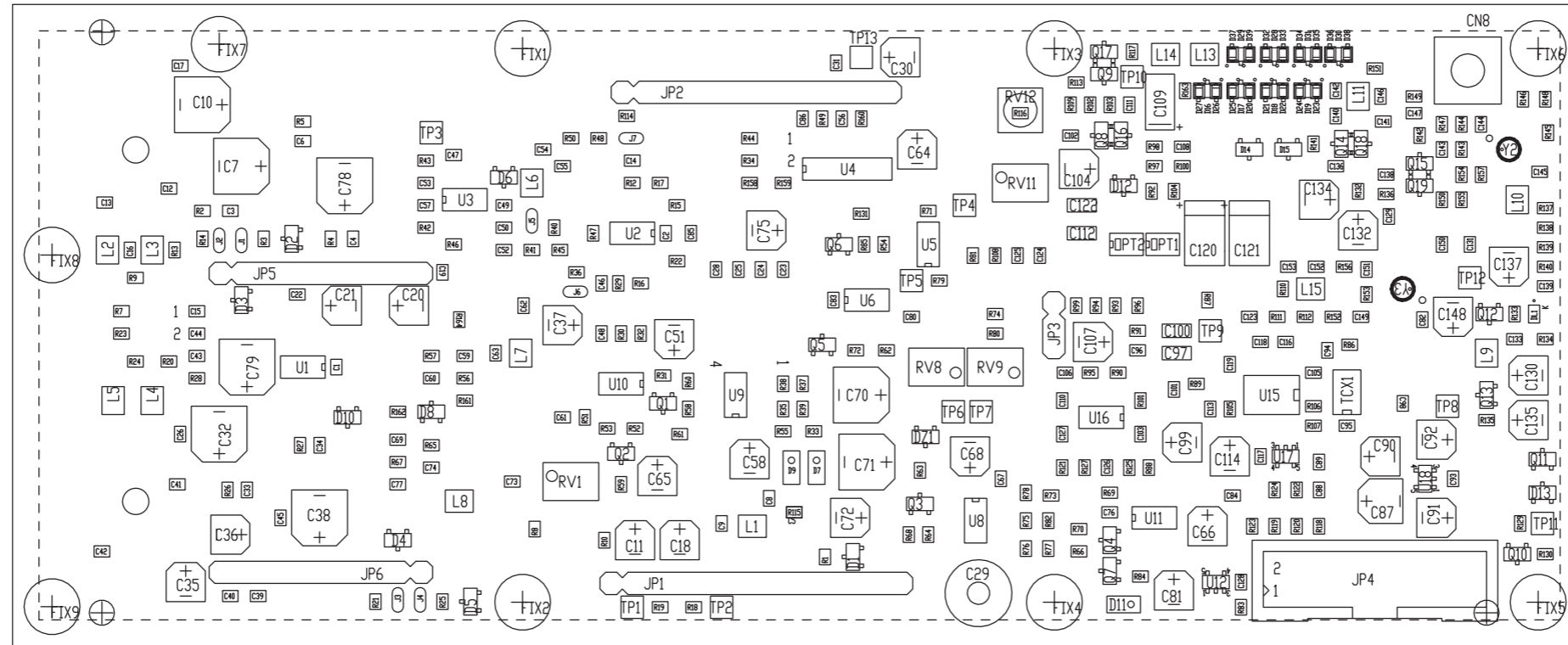
	PRODUCT NAME :	TEX3500	PART NAME :	WIRING DIAGRAM RF SECTION "A"	
	DESIGNER :	L. GASPERINI	DATE :	31-5-16	
ARCHIVING :	"RVRUT" SERVER, "RILASCIATI" FOLDER	PROJECT CODE :	249	DOCUMENT CODE :	<>
			REVISION :	1.1	
			SCALE :	1:1	
			SIZE :	A3	
			PAGE :	3 DI 5	



	PRODUCT NAME :	TEX3500	PART NAME :	WIRING DIAGRAM RF SECTION 'B'							
	DESIGNER :	L. GASPERINI	DATE :	31-5-16	REVISION :	1.1	SCALE :	1:1	SIZE :	A3	PAGE :
ARCHIVING : 'RVRUT' SERVER, 'RILASCIATI' FOLDER			PROJECT CODE :	249	DOCUMENT CODE :		<				



	PRODUCT NAME :	TEX3500	PART NAME :	WIRING DIAGRAM FLAT CONNECTION		
	DESIGNER :	L. GASPERINI	DATE :	31-5-15		
ARCHIVING :	'RVRUT' SERVER, 'RILASCIATI' FOLDER	PROJECT CODE :	249	DOCUMENT CODE :	<>	
		REVISION :	1.1	SCALE :	1:1	
			SIZE :	A3	PAGE :	5 DI 5

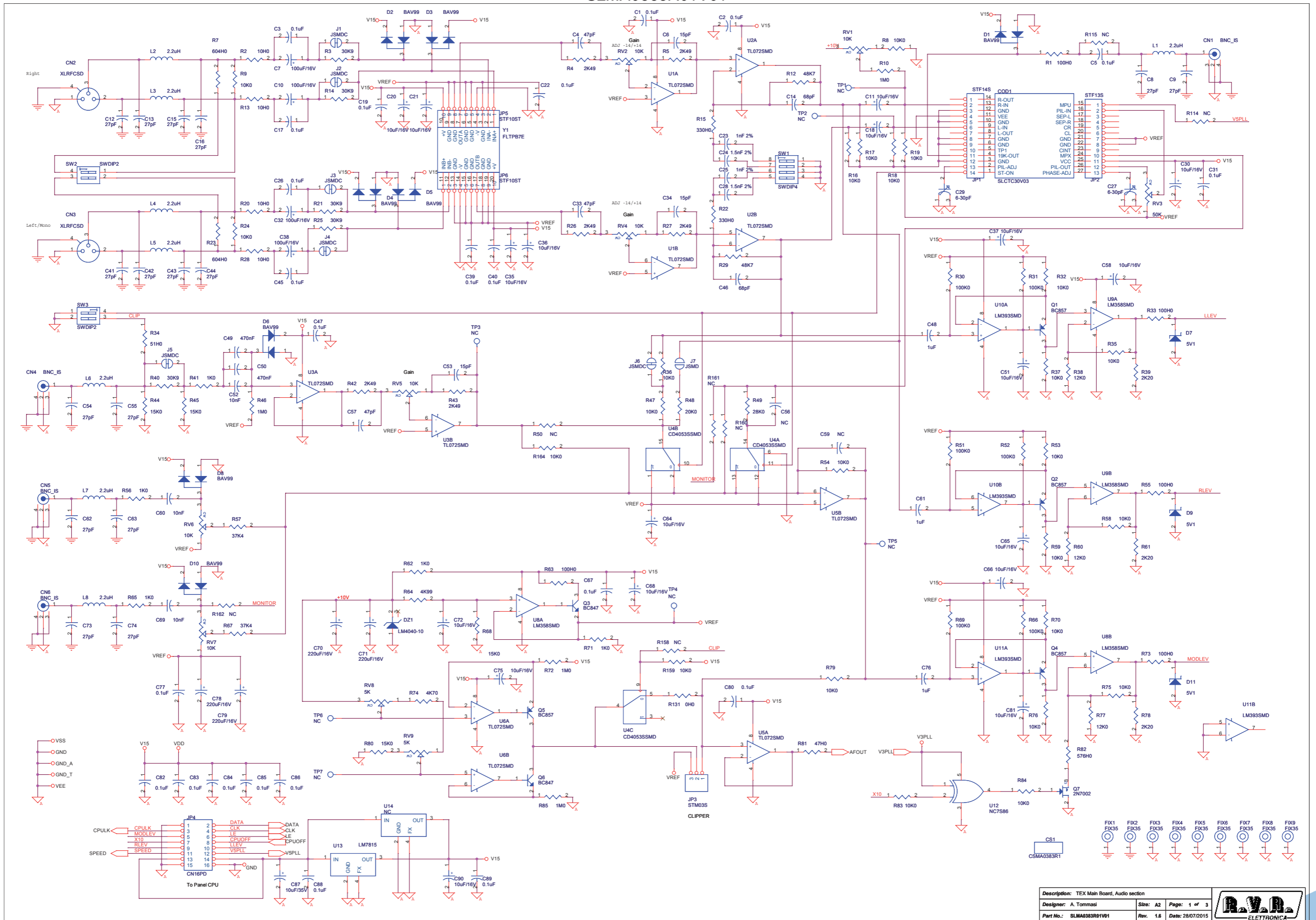


PRODUCT NAME : TEX-LCD	PART NAME : MAIN CARD
DESIGNER : A. TOMMASI	DATE : 07/09/15
ARCHIVING : "RVUT" SERVER, "RILASCIATI" FOLDER	REVISION : 1.0
	SCALE : 1:1
	SIZE : A4
	PAGE : 1
	DI : 1
	DOCUMENT CODE : SLMA0383R01V01





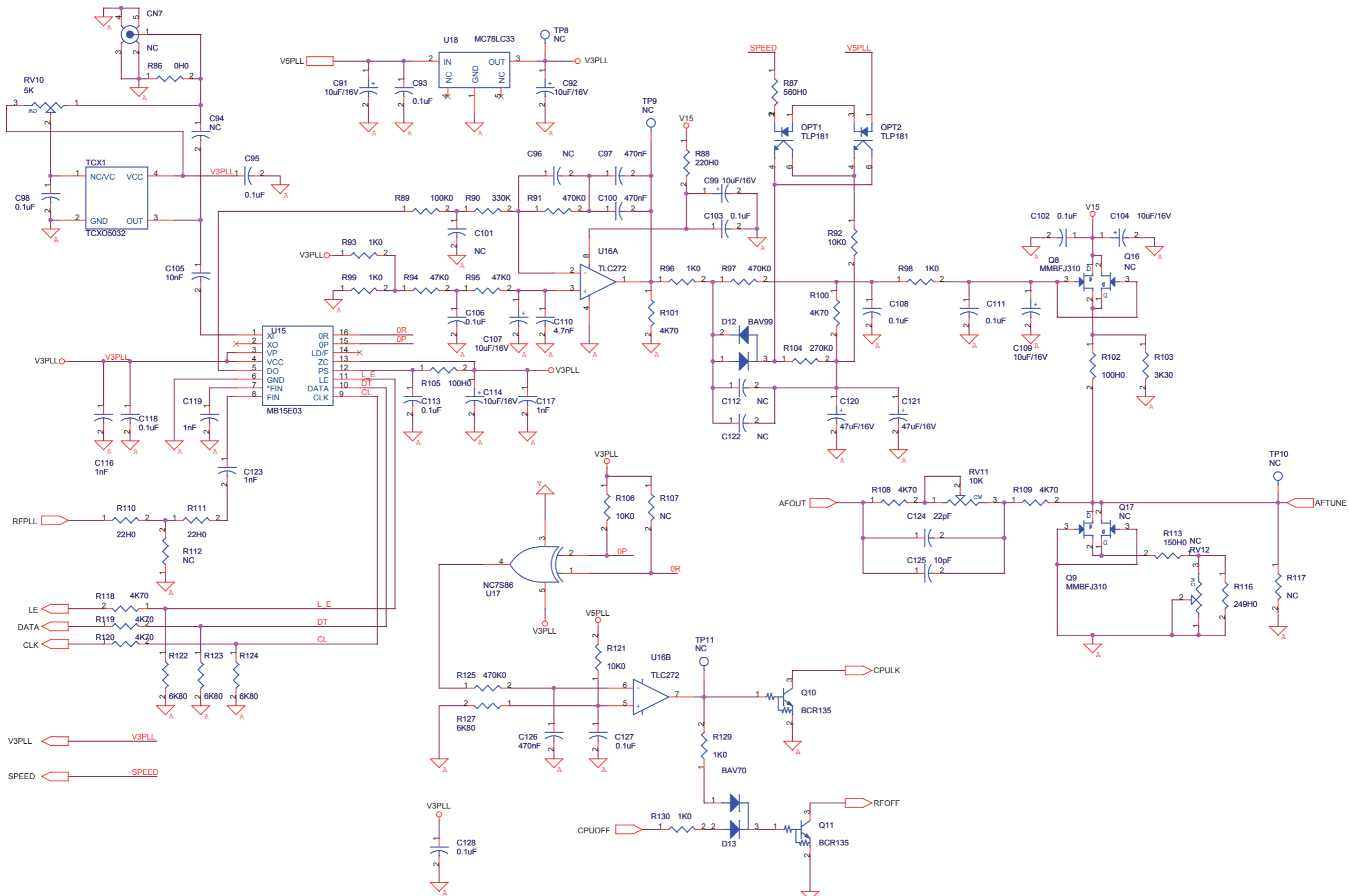
**SLMA0383R01V01**



Description: TEX Main Board, Audio section		
Designer: A. Tommasi	Size: A2	Page: 1 of 3
Part No.: SLMA0383R01V01	Rev. 1.8	Date: 28/07/2015

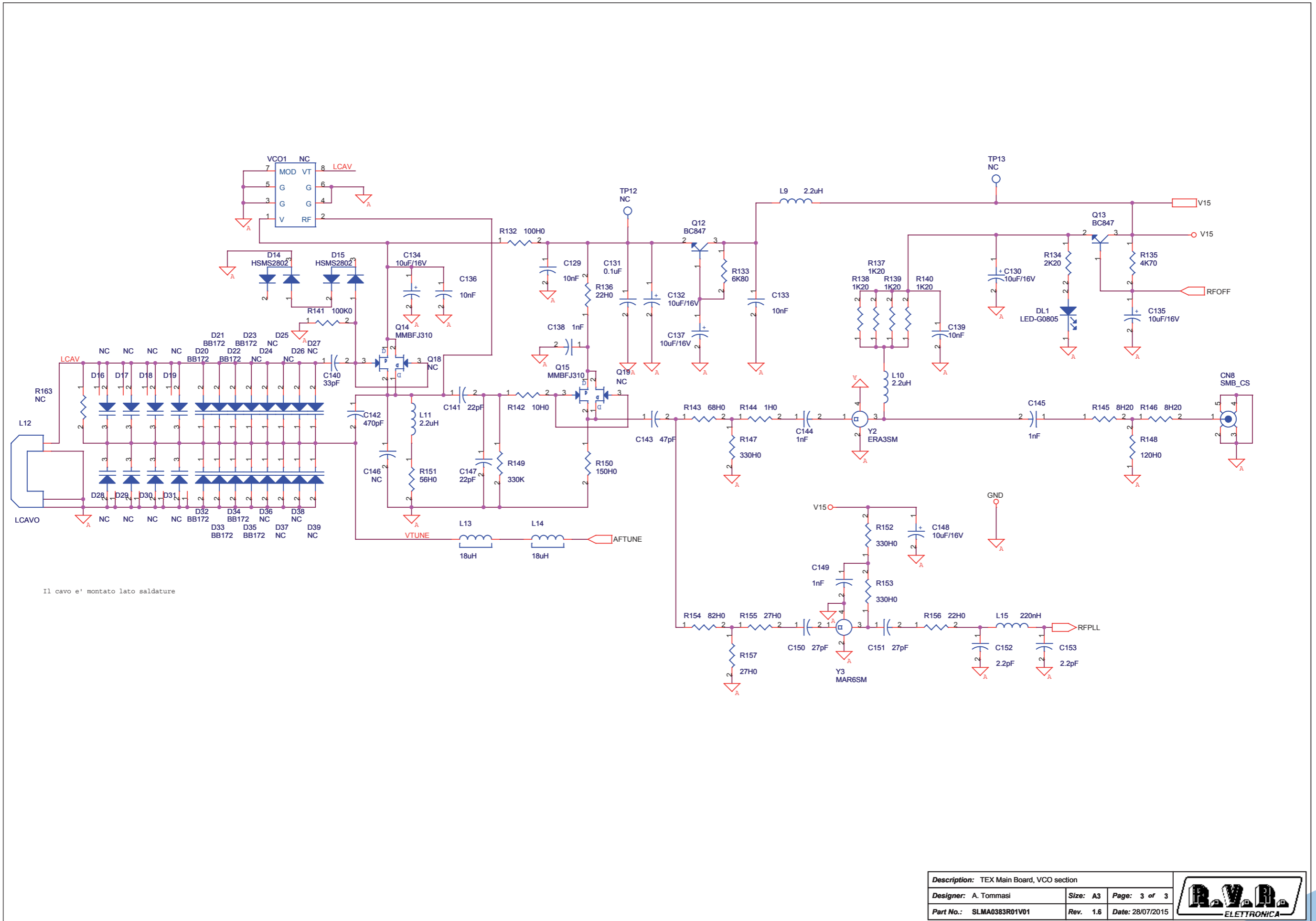


SLMA0383R01V01



Description: TEX Main Board, PLL section			
Designer: A. Tommasi	Size: A3	Page: 2 of 3	
Part No.: SLMA0383R01V01	Rev. 1.6	Date: 28/07/2015	

SLMA0383R01V01



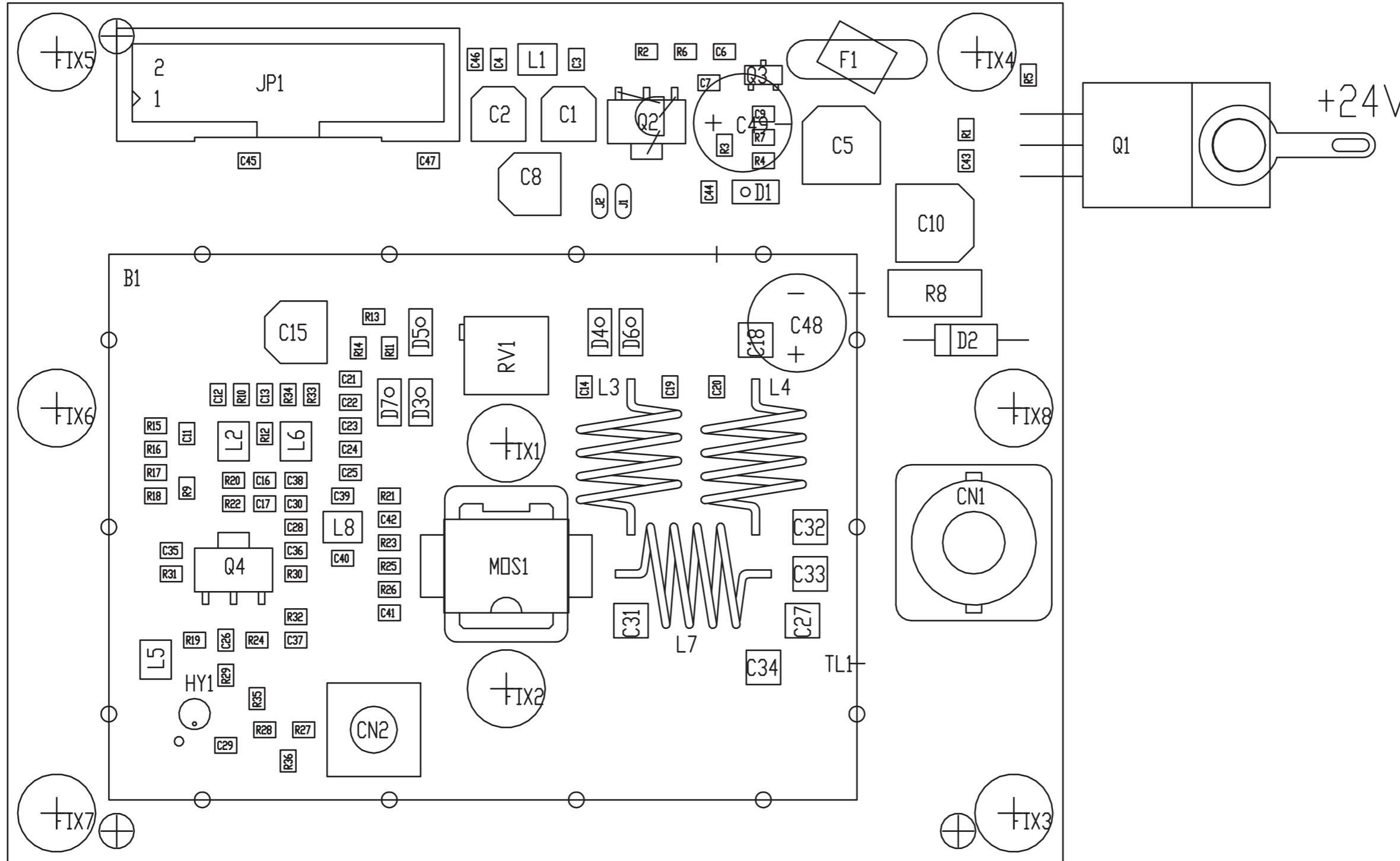
SLMA0383R01V01

TEX Main Board Revised: 28/07/2015  
 SLMA0383R01V01 Revision: 1.6  
 A. Tommasi  
 TEX-LCD e derivati

Item	Quantity	Reference	Part	Description
1	4	CN1,CN4,CN5,CN6	BNC_IS	Connettore BNC metallico
2	2	CN2,CN3	XLRFCSD	Connettore XLR femm. cs
3	1	CN7	NC	Connettore SMB cs
4	1	CN8	SMB_CS	Connettore SMB cs
5	1	COD1	SLCTC30V03	Coder stereo CTC30
6	1	CS1	CSMA0383R1	Circuito stampato
7	36	C1,C2,C3,C5,C17,C19,C22,C26,C31,C39,C40,C45,C47,C67,C77,C80,C82,C83,C84,C85,C86,C88,C89,C93,C95,C98,C102,C103,C106,C108,C111,C113,C118,C127,C128,C131	0.1uF	Cond. SMD 0805
8	4	C4,C33,C57,C143	47pF	Cond. SMD 0805
9	3	C6,C34,C53	15pF	Cond. SMD 0805
10	4	C7,C10,C32,C38	100uF/16V	Cond. Elett. SMD d. 6.3mm
11	18	C8,C9,C12,C13,C15,C16,C41,C42,C43,C44,C54,C55,C62,C63,C73,C74,C150,C151	27pF	Cond. SMD 0805
12	30	C11,C18,C20,C21,C30,C35,C36,C37,C51,C58,C64,C65,C66,C68,C72,C75,C81,C90,C91,C92,C99,C104,C107,C114,C130,C132,C134,C135,C137,C148	10uF/16V	Cond. Elett. SMD d. 4mm
13	2	C14,C46	68pF	Cond. SMD 0805
14	2	C23,C25	1nF 2%	Cond. SMD 0805 COG
15	2	C24,C28	1.5nF 2%	Cond. SMD 0805 COG
16	2	C27,C29	6-30pF	Comp. ceramico dia. 7mm
17	3	C48,C61,C76	1uF	Cond. SMD 0805
18	3	C49,C50,C126	470nF	Cond. SMD 0805
19	8	C52,C60,C69,C105,C129,C133,C136,C139	10nF	Cond. SMD 0805
20	6	C56,C59,C94,C96,C101,C146	NC	Cond. SMD 0805
21	4	C70,C71,C78,C79	220uF/16V	Cond. Elett. SMD d. 6.3mm
22	1	C87	10uF/35V	Cond. Elett. SMD d. 5mm
23	2	C97,C100	470nF	Cond. SMD 1206
24	1	C109	10uF/16V	Cond. Elett. SMD tant. size C
25	1	C110	4.7nF	Cond. SMD 0805
26	2	C112,C122	NC	Cond. SMD 1206
27	8	C116,C117,C119,C123,C138,C144,C145,C149	1nF	Cond. SMD 0805
28	2	C120,C121	47uF/16V	Cond. Elett. SMD tant. size D
29	3	C124,C141,C147	22pF	Cond. SMD 0805
30	1	C125	10pF	Cond. SMD 0805
31	1	C140	33pF	Cond. SMD 0805
32	1	C142	470pF	Cond. SMD 0805
33	2	C152,C153	2.2pF	Cond. SMD 0805
34	1	DL1	LED-G0805	LED Verde SMD 0805
35	1	DZ1	LM4040-10	Diode Zener SMD SOT23
36	9	D1,D2,D3,D4,D5,D6,D8,D10,D12	BAV99	Doppio Diode SMD SOT23
37	3	D7,D9,D11	5V1	MINIMELF SMD Zener Diode
38	1	D13	BAV70	Doppio Diode SMD SOT23
39	2	D14,D15	HSM52802	Doppio Diode SMD SOT23
40	8	D16,D17,D18,D19,D28,D29,D30,D31	NC	Diode Varicap SMD SOT23
41	8	D20,D21,D22,D23,D32,D33,D34,D35	BB172	Diode varicap SOD323
42	8	D24,D25,D26,D27,D36,D37	NC	Diode varicap SOD323

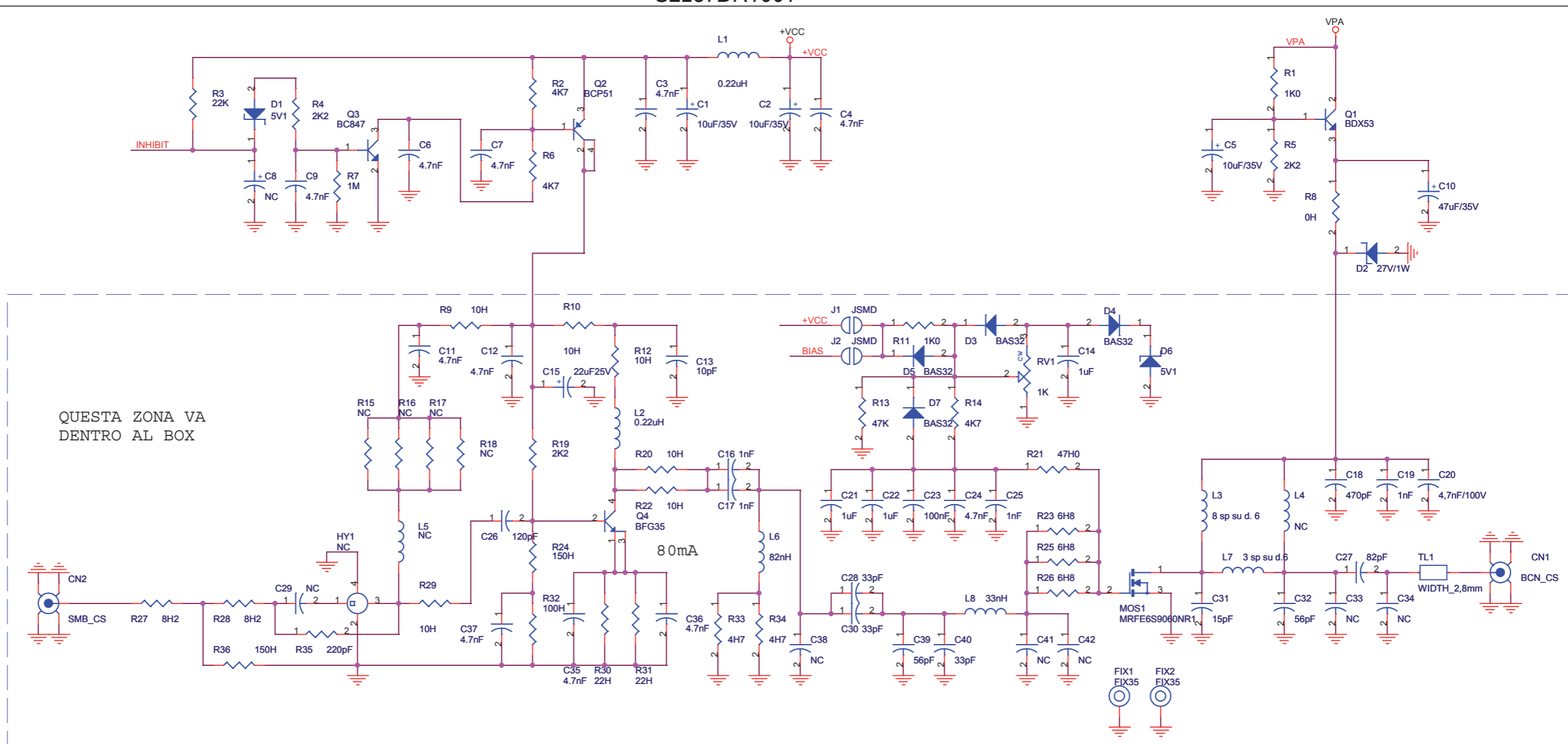
99	4	R110,R111,R136,R156	22H0	Res. SMD 0805
100	2	R113,R150	150H0	Res. SMD 0805
101	1	R116	249H0	Res. SMD 0805
102	5	R122,R123,R124,R127,R133	6K80	Res. SMD 0805
103	4	R137,R138,R139,R140	1K20	Res. SMD 0805
104	1	R143	68H0	Res. SMD 0805
105	1	R144	1H0	Res. SMD 0805
106	2	R145,R146	8H20	Res. SMD 0805
107	1	R148	120H0	Res. SMD 0805
108	1	R151	56H0	Res. SMD 0805
109	1	R154	82H0	Res. SMD 0805
110	2	R155,R157	27H0	Res. SMD 0805
111	1	SW1	SWDIP4	Dip switch 4 vie
112	2	SW2,SW3	SWDIP2	Dip switch 2 vie
113	1	TCX1	TCXO5032	TCXO SMD 5x3.2mm
114	13	TP1,TP2,TP3,TP4,TP5,TP6,TP7,TP8,TP9,TP10,TP11,TP12,TP13	NC	Test point
115	5	U1,U2,U3,U5,U6	TL072SMD	Dual Op. SMD SO8
116	1	U4	CD4053SMD	Analog Switch SMD SO16
117	2	U8,U9	LM358SMD	Dual Op. SMD SO8
118	2	U10,U11	LM393SMD	Dual Comp. SMD SO8
119	2	U12,U17	NC7S86	XOR Port
120	1	U13	LM7815	Stabilizzatore TO220
121	1	U14	NC	Stabilizzatore SMD D2PAK
122	1	U15	MB15E03	Integrated PLL
123	1	U16	TLC272	Dual Op. SMD SO8
124	1	U18	MC78LC33	Stab. SMD SOT23-5
125	1	VCO1	NC	VCO SKY 8 pin FVC7MD
126	1	Y1	FLTPB7E	Filtro Audio Stereo
127	1	Y2	ERA3SM	Ibrido MAR/ERA
128	1	Y3	MAR6SM	Ibrido MAR/ERA

SL237DR1001



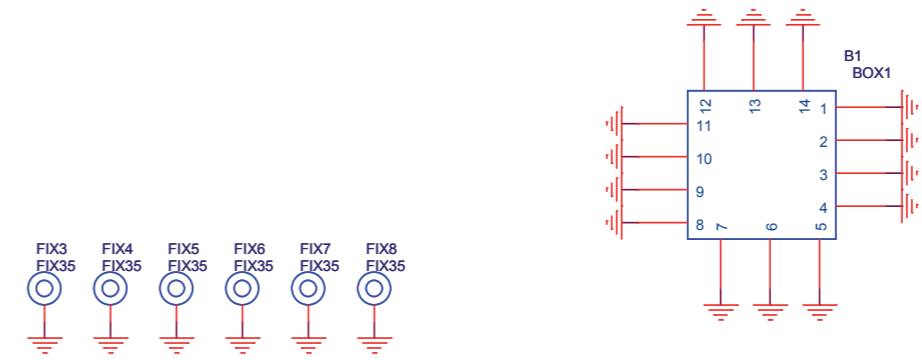
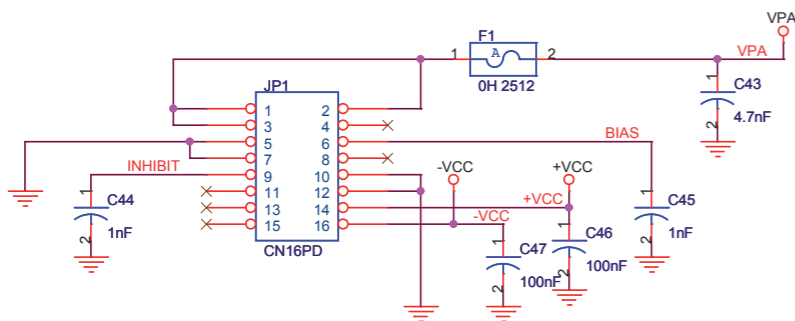
NOME PROGETTO: TEX1002LCD	NOME PARTE: SCHEDA DRIVER 15W
AUTORE: L. GASPERINI	DATA: 13/03/2015
ARCHIVIAZIONE ELETTRONICA: "CARTELLA RILASCIATI" SU "RVRUT"	REVISIONE: 1.2
MATERIALE: <>	SCALA: 2:1
TRATTAMENTO: <>	SIZE: A4
PROFILO: <>	PAGINA: 1 DI 1
STATO: ESECUTIVO	CODICE DISEGNO: SLDRO271RO1V01
	CODICE PROGETTO: 241

SL237DR1001



QUESTA ZONA VA DENTRO AL BOX

Idq:  
500mA



Project Name: TEX2500LCD GREEN LINE		Page: 1 of 1	Size: A3
Designer: Luca Gasperini	Date: 02/12/2014	Project Code: 237	
File Location: \\RVRUT\Rilasciat\	Revision: 1.3	Description: Driver 7dBm 30W FM	
Folder/File: /	Approval:	Part No.: SL237DR1001	

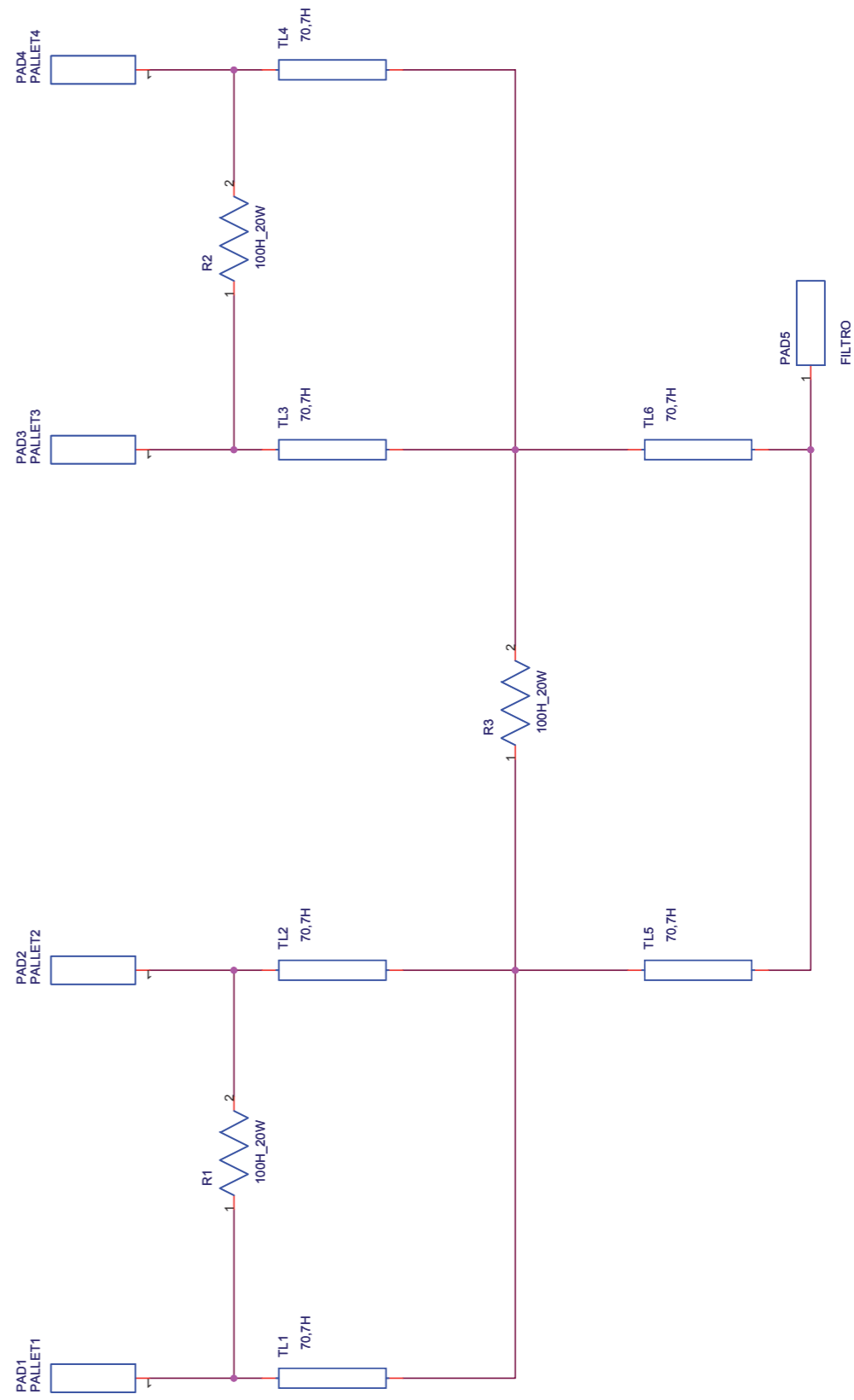
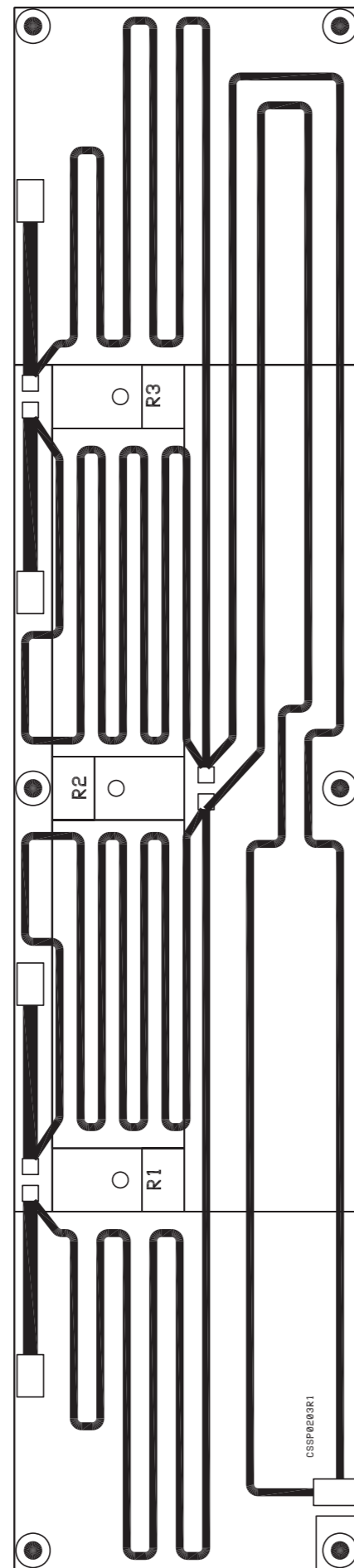
SL237DR1001

Driver 7dBm 30W FM Revised: 02/12/2014  
 SL237DR1001 Revision: 1.3  
 TEX2500LCD GREEN LINE  
 237

Luca Gasperini

Item	Quantity	Reference	Part	(description)
1	1	B1	BOX1	BOX VCO PTX-LCD
2	1	CN1	BNC_CS	NC
3	1	CN2	SMB_CS	Connettore SMB cs
4	3	C1, C2, C5	10uF/35V	Cond. Elett. SMD d. 4mm
5	12	C3, C4, C6, C7, C9, C11, C12, C24, C35, C36, C37, C43*	4.7nF	Cond. SMD 0805
6	1	C8, L3	NC	Cond. Elett. SMD d. 5mm
7	1	C10	47uF/35V	Cond. Elett. SMD d. 6.3mm
8	1	C13	10pF	Cond. SMD 0805
9	3	C14, C21, C22	1uF	Cond. SMD 0805
10	1	C15	22uF25V	Cond. Elett. SMD d. 5mm
11	6	C16, C17, C19, C25, C44, C45	1nF	Cond. SMD 0805
12	1	C18	470pF	Cond. SMD 1212 HQ
13	1	C20	4,7nF/100V	Cond. SMD 0805
14	3	C23, C46, C47	100nF	Cond. SMD 0805
15	1	C26	120pF	Cond. SMD 0805
16	1	C27	82pF	Cond. SMD 1212 HQ
17	1	C39	56pF	Cond. SMD 0805
18	3	C28, C30, C40	33pF	Cond. SMD 0805
19	1	C29	NC	Cond. SMD 0805
20		C31	15pF	Cond. SMD 1212 HQ
21	3	C33, C34	NC	Cond. SMD 1212 HQ
22	1	C32	56pF	Cond. SMD 1212 HQ
23	3	C38, C41, C42	NC	Cond. SMD 0805
24	1	D2	27V/1W	1W Zener Diode
25	4	D3, D4, D5, D7	BAS32	MINIMELF SMD Diode
26	1	D6, D1	5V1	MINIMELF SMD Zener Diode
27	8	FIX1, FIX2, FIX3, FIX4, FIX5, FIX6, FIX7, FIX8	FIX35	Foro fissaggio 3.5mm
28	1	F1	0H 2512	Fusibile autorip. RUE p5mm
29	1	HY1	NC	Ibrido MAR/ERA
30	1	JP1	CN16PD	Conn.M.C.S.Dritto 16P alette
31	2	J1, J2	JSMH	Pad SMD a saldare
32	2	L1, L2	0.22uH	Induttanza SMD 3225 (1210)
33		L4	IND	Bobina avvolta in aria
34	3	L7	IND	Bobina avvolta in aria
35	1	L5	NC	Induttanza SMD 3225 (1210)
36	1	L6	82nH	Induttanza SMD 3225 (1210)
37	1	L8	33nH	Induttanza SMD 3225 (1210)
38	1	MOS1	MRFE6S9060NR1	
39	1	Q1	BDX53	Trans. NPN TO220
40	1	Q2	BCP51	Trans. PNP SOT223
41	1	Q3	BC847	Trans. NPN SOT23
42	1	Q4	BFG35	Trans. NPN SOT23
43	1	RV1	1K	Trimmer Rg H 3269W SMD
44	1	R35	220pF	Cond. SMD 0805
45	3	R2, R6, R14	4K7	Res. SMD 0805 1%
46	1	R3	22K	Res. SMD 0805 1%
47	3	R4, R5, R19	2K2	Res. SMD 0805 1%
48	1	R7	1M	Res. SMD 0805 1%
49	1	R8	0H 2512	Res. SMD 2512 1%
50	6	R9, R10, R12, R20, R22, R29	10H	Res. SMD 0805 1%
51	1	R1, R11	1K0	Res. SMD 0805
52	1	R13	47K	Res. SMD 0805
53	4	R15, R16, R17, R18	NC	Res. SMD 0805 1%
54	1	R21	47H0	Res. SMD 0805
55	3	R23, R25, R26	6H8	Res. SMD 0805
56	2	R24, R36	150H	Res. SMD 0805 1%
57	2	R27, R28	8H2	Res. SMD 0805
58	2	R30, R31	22H	Res. SMD 0805 1%
59	1	R32	100H	Res. SMD 0805 1%
60	2	R33, R34	4H7	Res. SMD 0805
61	1	CS1	CSDR0271R2	C.S. DRIVER CARD TEX500L

SL176SP1001



CS1  
CSSP0203R1

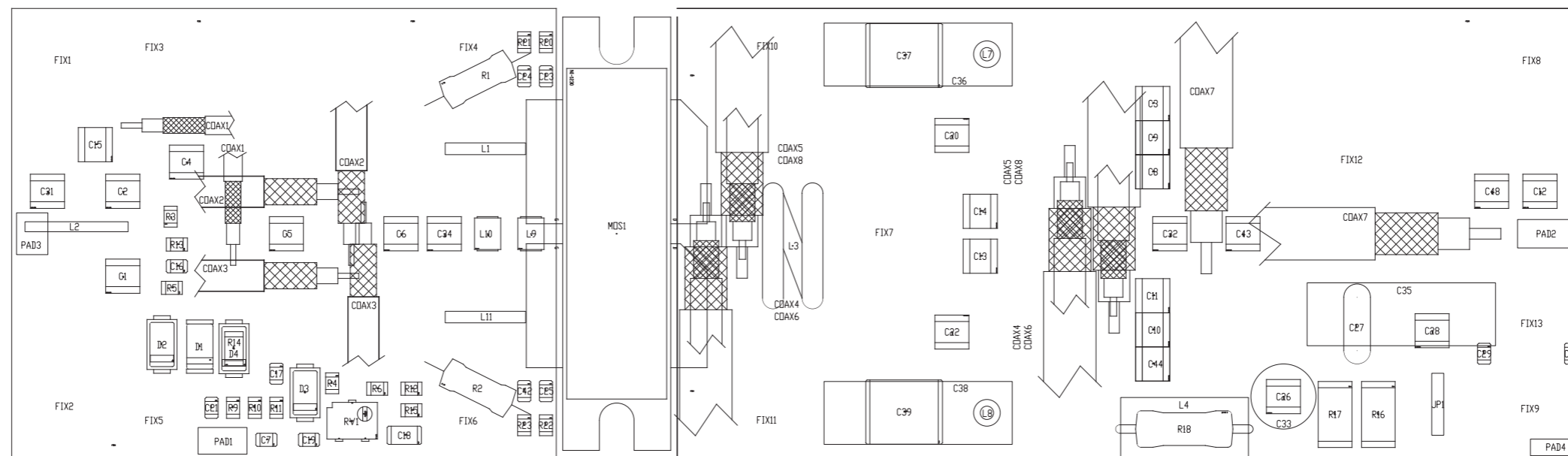
Nome Progetto: TEX2000	Pagina: 1	di 1	Size: A4
Autore: Gasparini Luca	Codice Progetto: 176		
Nome P.C. in Rete: \	Revisione: 1.0		
File/Cartella: /	Autore/Revisione:		
	Nome Parte: SPLITTER		
	Codice: SL176SP1001		



SL176SP1001

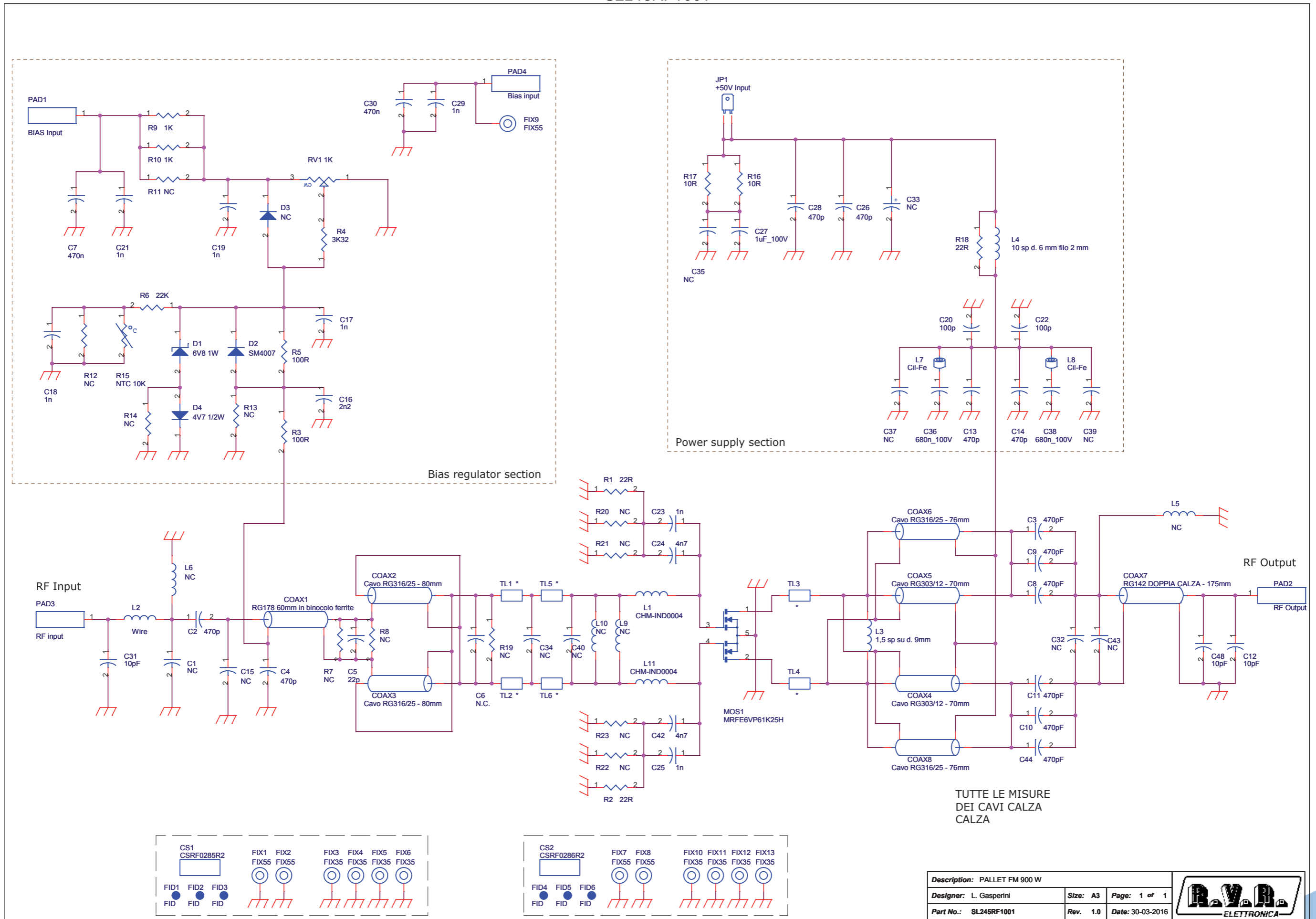
SPLITTER Revised: Monday, June 16, 2008  
 SL176SP1001 Revision: 1.0  
 TEX2000  
 176  
 Gasperini Luca

Item	Quantity	Reference	Part	{description}
1	1	CS1	CSSP0203R1	
2	1	PAD1	PALLET1	
3	1	PAD2	PALLET2	
4	1	PAD3	PALLET3	
5	1	PAD4	PALLET4	
6	1	PAD5	INPUT	
7	2	R1, R2, R3	100H_250W	Resistenza Kaddoc



	PRODUCT NAME : TEX3500LCD	PART NAME : PALLET FM 900 W
	DESIGNER : L. GASPERINI	DATE 30/03/16   REVIS. : 1.0   SCALE 1:1   SIZE A3   PAGE :1 DI 1
ARCHIVING : 'RVRUT' SERVER, 'RILASCIATI' FOLDER		PROJECT CODE : 245   DOCUMENT CODE : SL245RF1001

**SL245RF1001**



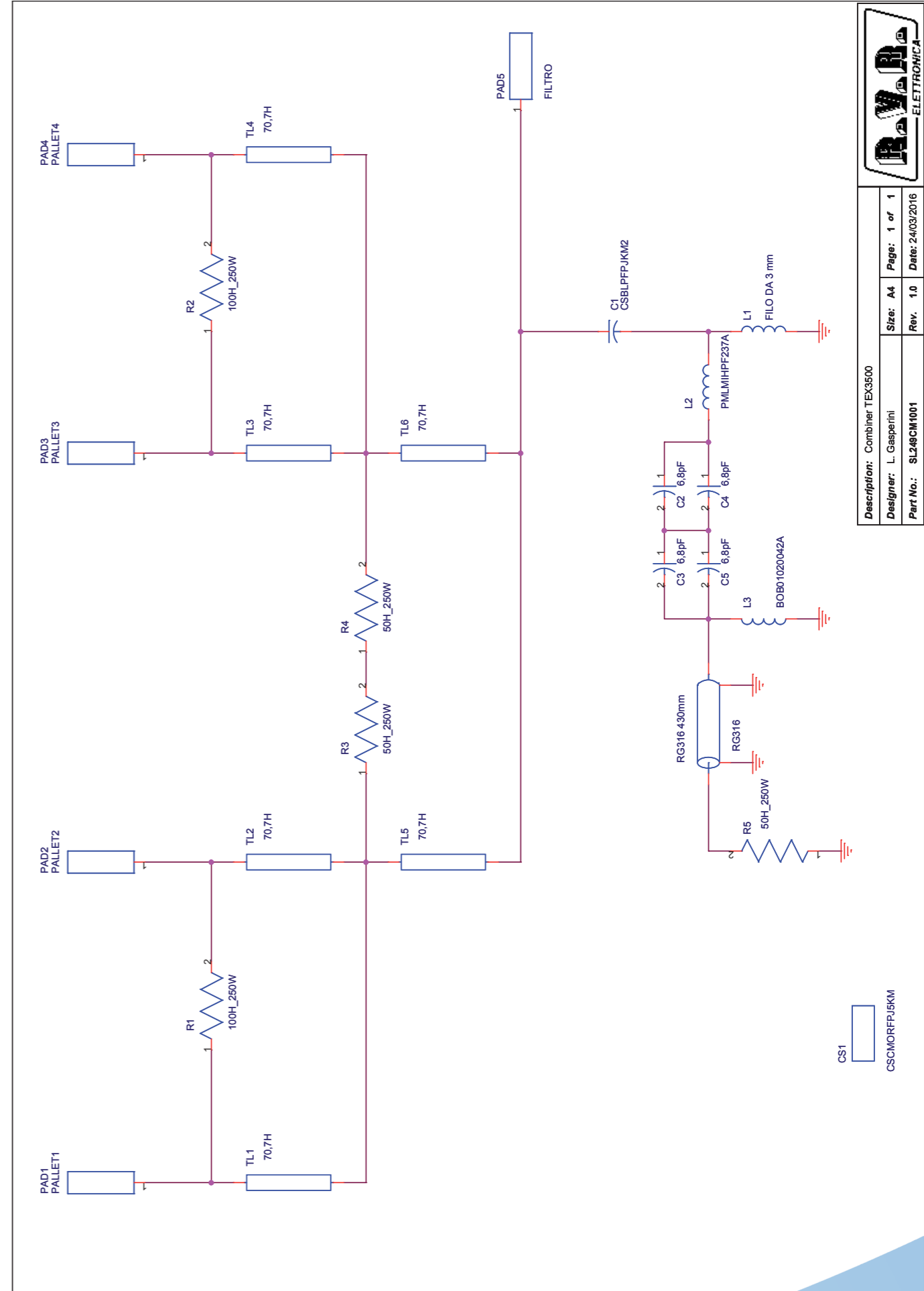
<b>Description:</b> PALLET FM 900 W			
<b>Designer:</b> L. Gasperini	<b>Size:</b> A3	<b>Page:</b> 1 of 1	
<b>Part No.:</b> SL245RF1001	<b>Rev.:</b> 1.0	<b>Date:</b> 30-03-2016	

SL245RF1001

PALLET FM 900 W Revised: 30-03-2016  
 SL245RF1001 Revision: 1.0  
 L. Gasperini

Item	Quantity	Reference	Part	(description)
1	1	COAX1	RG178 60mm in binocolo ferrite	Vedi Info SL245RF1001_COAX
2	2	COAX2, COAX3	Cavo RG316/25 - 80mm	Vedi Info SL245RF1001_COAX
3	2	COAX5, COAX4	Cavo RG303/12 - 70mm	Vedi Info SL245RF1001_COAX
4	2	COAX6, COAX8	Cavo RG316/25 - 78mm	Vedi Info SL245RF1001_COAX
5	1	COAX7	RG142 DOPPIA CALZA - 175mm	Vedi Info SL245RF1001_COAX
6	1	CS1	CSRF0285R2	Circuito stampato
7	1	CS2	CSRF0286R2	Circuito stampato
8	3	C1, C23, C25	NC	Cond. SMD 0805
9	2	C2, C4	470p	Cond. SMD 1212 HQ
10	4	C3, C44, C8, C9, C10, C11, C13, C14, C26, C28	470p	Cond. SMD 1212 HQ
11	1	C30	470n	Cond. SMD 0805
12	1	C5	22p	Cond. SMD 1212 HQ
13	1	C6	NC	Cond. SMD 1212 HQ
14	2	C7	470n	Cond. SMD 0805
15	2	C12, C48	10p	Cond. SMD 1212 HQ
16	5	C15, C32, C34, C40, C43	NC	Cond. SMD 1212 HQ
17	1	C16	2n2	Cond. SMD 0805 COG
18	5	C17, C19, C21, C23, C25	1n	Cond. SMD 0805
19	1	C18	1n	Cond. SMD 1206
20	2	C22, C20	100p	Cond. SMD 1212 HQ
21	2	C42, C24	4n7	Cond. SMD 0805
22	1	C27	1uF_100V	Cond. multistrato p 5mm
23	1	C31	10pF	Cond. SMD 1212 HQ
24	1	C29	1n	Cond. SMD 0805
25	2	C36, C38	680n_100V	Cond. Poliestere p 10mm
26	2	C37, C39	NC	Cond. Poliestere p 15mm
27	1	C41	NC	Cond. multistrato p 5mm
28	1	D1	6V8 1W	MELF SMD Zener Diode
29	1	D2	SM4007	Diode SMD cont. SMA
30	1	D3	NC	Diode SMD cont. SMA
31	1	D4	4V7 1/2W	MELF SMD Zener Diode
32	6	FID1, FID2, FID3, FID4, FID5, FID6	FID	Fiducial CS
33	5	FIX1, FIX2, FIX7, FIX8, FIX9	FIX55	Foro fissaggio 5.5mm
34	8	FIX3, FIX4, FIX5, FIX6, FIX10, FIX11, FIX12, FIX13	FIX35	Foro fissaggio 3.5mm
35	1	JP1	+50V Input	Faston da CS p. 5.08
36	2	L11, L1	CHM-IND0004	Printed link on copper
37	1	L2	Wire	Filo R. Arg. 1mm lung. 10mm
38	1	L3	L3	1.5 Spire Filo R. Arg. 1.5mm Avvolte su 9mmAlt. 5mm da PCB
39	1	L4	10 sp d. 6 mm filo 2 mm	10spire filo R. Smalt. 2mm Avvolte su 6mm includente R18 all'interno
40	2	L5, L9	NC	
41	1	L6	NC	
42	2	L7, L8	Cil-Fe	Cilindretto di ferrite
43	1	L10	NC	Ind. SMD 1008
44	1	MOS1	MRFE6VP61K25H	PP Power mosfet RF
45	2	PAD4, PAD1	BIAS Input	
46	1	PAD2	RF Output	
47	1	PAD3	RF input	
48	1	RV1	1K	Trimm. multi SMD PVG5 Murata
49	2	R1, R2	22R	Res. 2W
50	3	R7, R8, R19	NC	Res. 2W
51	2	R3, R5	100R	Res. SMD 0805 1%
52	1	R4	3K32	Res. SMD 0805 1%
53	1	R6	22K	Res. SMD 0805 1%
54	2	R10, R9	1K	Res. SMD 0805 1%
55	3	R11, R12, R13	NC	Res. SMD 0805 1%
56	1	R14	NC	Res. SMD 1206 1%
57	1	R15	NTC 10K	Res. NTC SMD 0805
58	2	R17, R16	10R	Res. SMD 2512 5%
59	1	R18	22R	Res. 2W
60	4	R20, R21, R22, R23	NC	Res. SMD 0805 1%
61	6	TL1, TL2, TL3, TL4, TL5, TL6	*	Linea strip CS
62	1		Ferrite balun	Ferrite balun

SL249CM1001



Description: Combiner TEX3500	Size: A4	Pages: 1 of 1
Designer: L. Gasparini	Rev: 1.0	Date: 24/03/2016
Part No.: SL249CM1001		

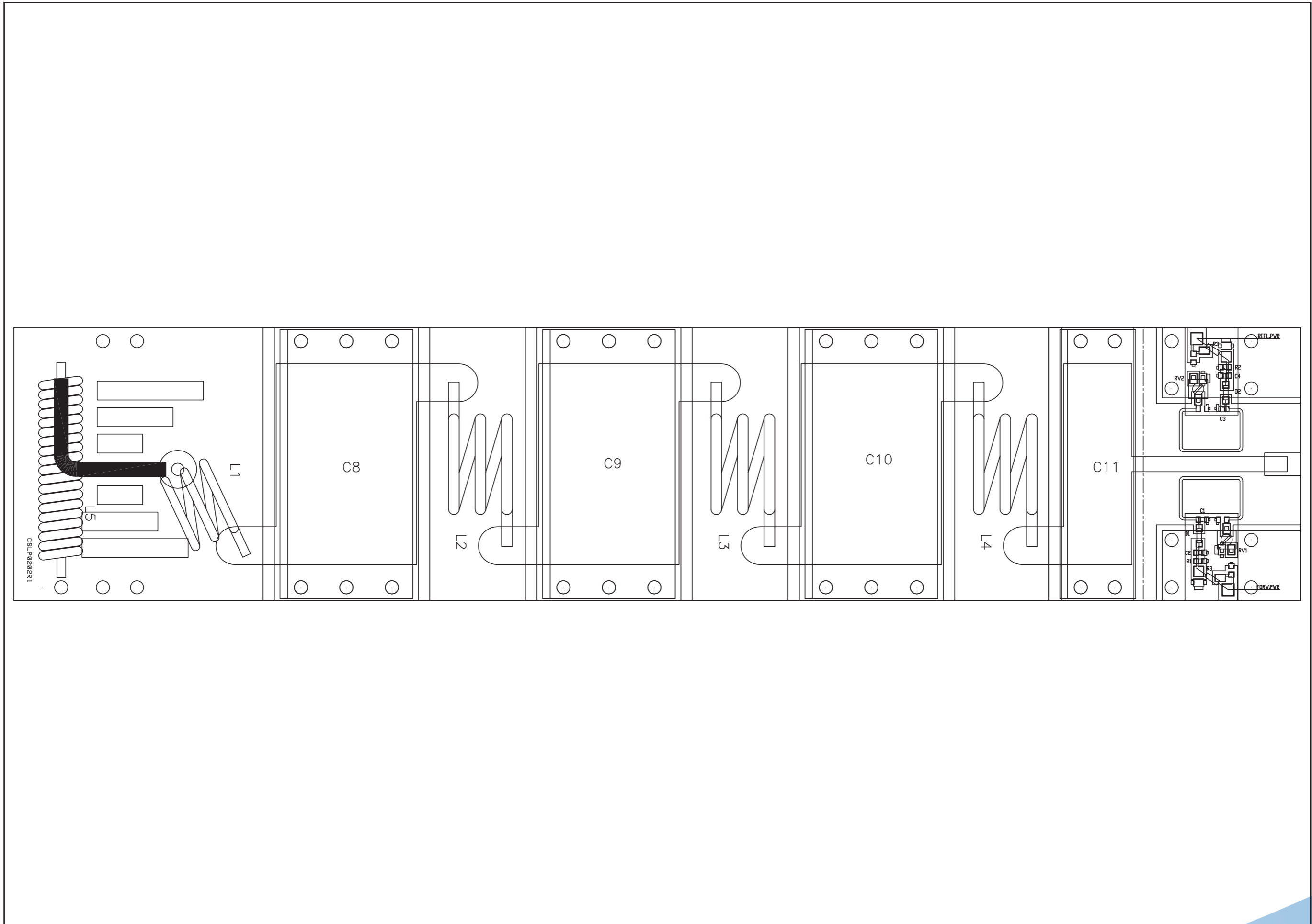
CS1  
CSCMORFPJKM

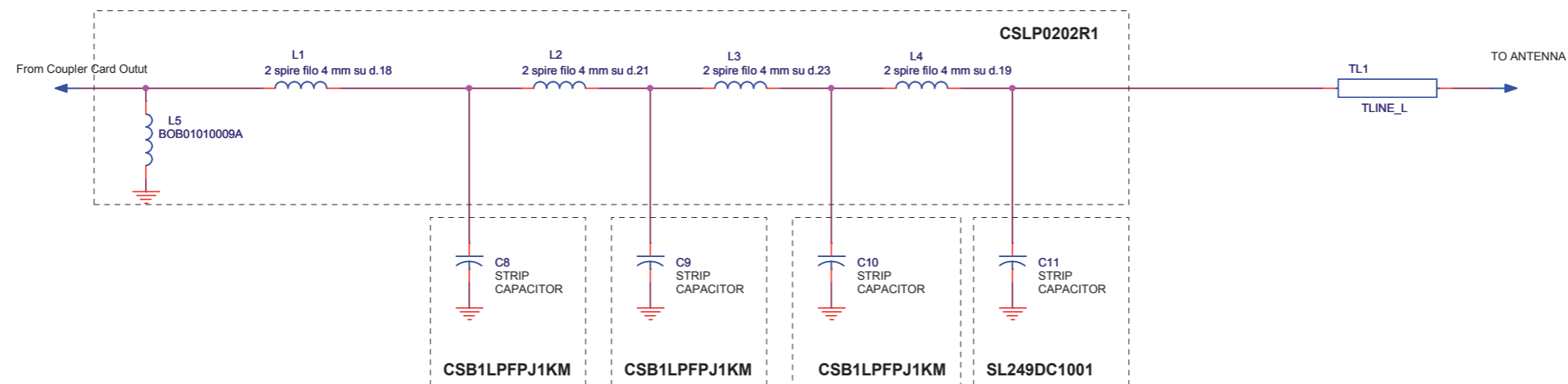
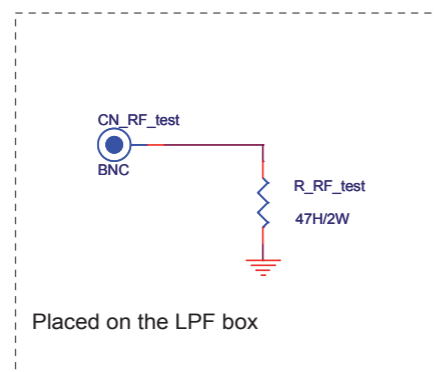
SL249CM1001

Combiner TEX3500 Revised: 24/03/2016  
 SL249CM1001 Revision: 1.0  
 L. Gasperini

Item	Quantity	Reference	Part	{description}
1	1	CS1	CSCMORFPJ5KM	
2	1	PAD1	PALLET1	
3	1	PAD2	PALLET2	
4	1	PAD3	PALLET3	
5	1	PAD4	PALLET4	
6	1	PAD5	FILTRO	
7	2	R1, R2	100H_250W	Resistenza KDI 2 fix
8	2	R3, R4	50H_250W	Resistenza KDI 2 fix
9	6	TL1, TL2, TL3, TL4, TL5, TL6	70,7H	Linea strip CS
10	1	R5	50H_250W	Terminazione KDI 2 fix
11	1		CAPACITA PER LPF	CAPACITA BASSA
12	1	L3	Ind in aria	BOBINA 2 sp su d. 4,5 mm
13	1	L2	LAMIERINO DI PRELIEVO	LAMIERINO DI PRELIEVO
14	4	C2, C3, C4, C5	6,8pF	Cond. HQ 1212

SL249LP1001





<b>Description:</b> Low Pass Filter TEX3500			
<b>Designer:</b> L. Gasperini	<b>Size:</b> A3	<b>Page:</b> 1 of 1	
<b>Part No.:</b> SL249LP1001	<b>Rev.</b> 1.0	<b>Date:</b> 03/03/2016	



SL249LP1001

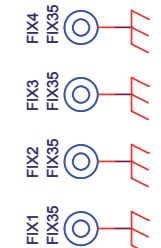
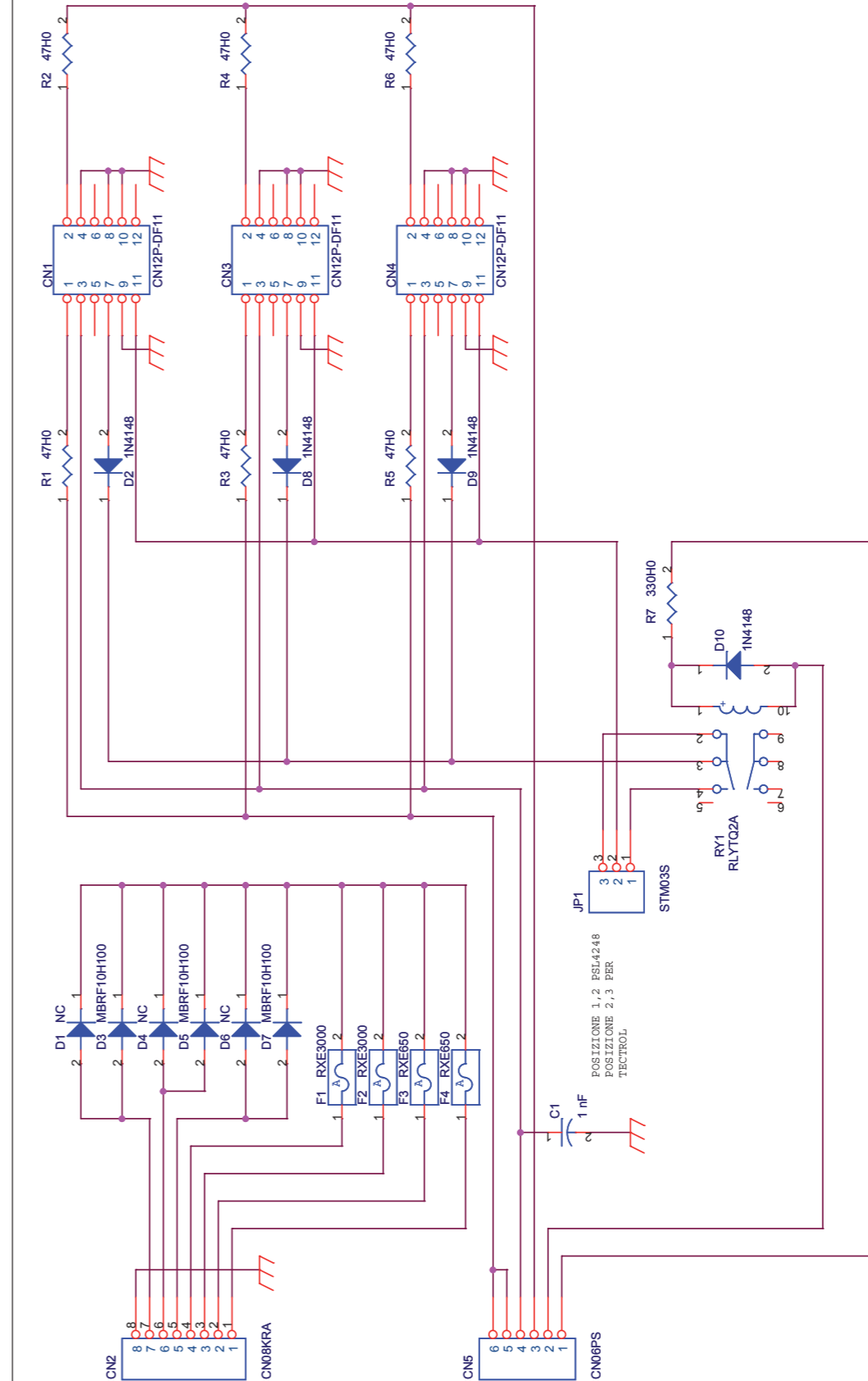
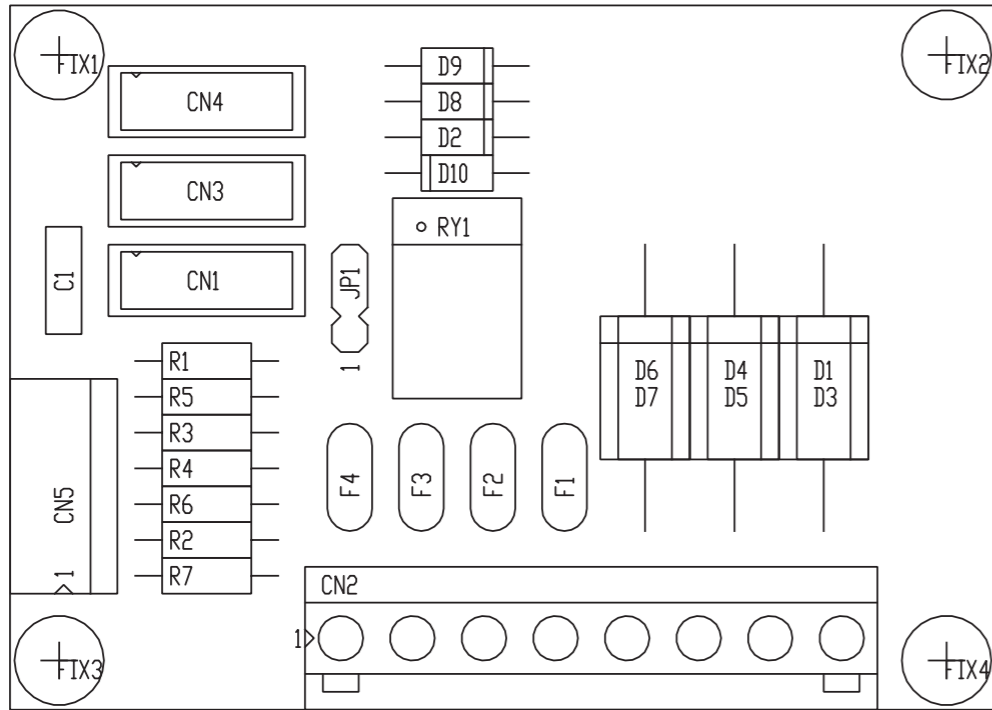
Low Pass Filter TEX3500 Revised: 03-03-2016  
 SL249LP1001 Revision: 1.0  
 L. Gasperini

Item	Quantity	Reference	Part	{description}
1	1	CS1	CSLP0202R1	
2	1	L1	BOBINA	2 spire filo da 4 mm su d. 18 mm
3	1	L2	BOBINA	2 spire filo da 4 mm su d. 21 mm
4	1	L3	BOBINA	3 spire filo da 4 mm su d. 23 mm
5	1	L4	BOBINA	2 spire filo da 4 mm su d. 19 mm
6	1	L5	BOBINA	20 spire filo 1,5 mm su d. 16,5mm
7	1	R_RF_test	RESISTENZA	RESISTENZA 2 W

SLIN0440R01V01



Description: PS Interface Card  
 Designer: L. Gasperini  
 Part No.: SLIN0440R01V01  
 Size: A4  
 Page: 1 of 1  
 Rev: 1.0  
 Date: 24/03/2016



	PRODUCT NAME : TEX3500	PART NAME : PS INTERFACE CARD				
	DESIGNER : L. GASPERINI	DATE : 24/03/16	REVISION : 1.0	SCALE : 2:1	SIZE : A4	PAGE : 1 DI 1
ARCHIVING : 'RVRUT' SERVER, 'RILASCIATI' FOLDER	PROJECT CODE : <	DOCUMENT CODE : SLIN0440R01V01				

SLIN0440R01V01

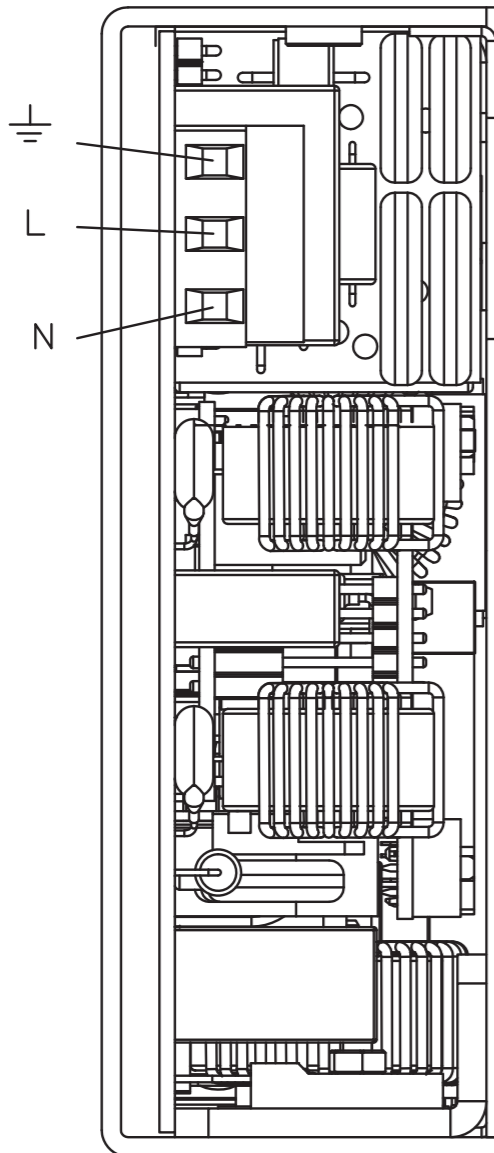
Scheda interfaccia PS Revised: Thursday, March 24, 2016  
 SLIN0440R01V01 Revision: 1.0  
 TEX3500LCD  
 Luca Gasperini

Item	Quantity	Reference	Part	{description}
1	3	CN1, CN3, CN4	CN12P-DF11	Connettore 12 poli DF11 12pin p. 2mm
2	1	CN2	CN08KRA	Conn. tipo KRA a 8 poli
3	1	CN5	CN06PS	Connettore 6 poli Mascon
4	1	CS1	CSIN0440R1	Circuito stampato
5	1	C1	1 nF	Cond. Poliestere p 5mm
6	3	D1, D4, D6	NC	Diodo plastico DO201
7	4	D2, D8, D9, D10	1N4148	
8	3	D3, D5, D7	MBRF10H100	Diodo plastico DO201
9	4	FIX1, FIX2, FIX3, FIX4	FIX35	Foro fissaggio 3.5mm
10	2	F2, F1	RXE3000	Fusibile autorip. RXE p5mm
11	2	F3, F4	RXE650	Fusibile autorip. RXE p5mm
12	1	JP1	STM03S	Connettore 3 poli Mascon
13	1	RY1	RLYTQ2A	Rele' TQ2
14	6	R1, R2, R3, R4, R5, R6	47H0	Res. 1/4W
15	1	R7	330H0	Res. 1/4W

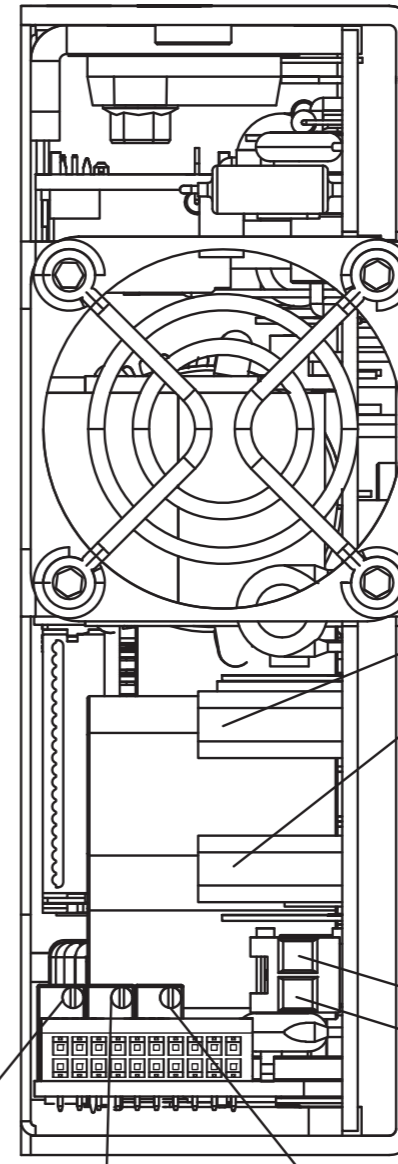
PSL4248

CONNECTION PSL4248

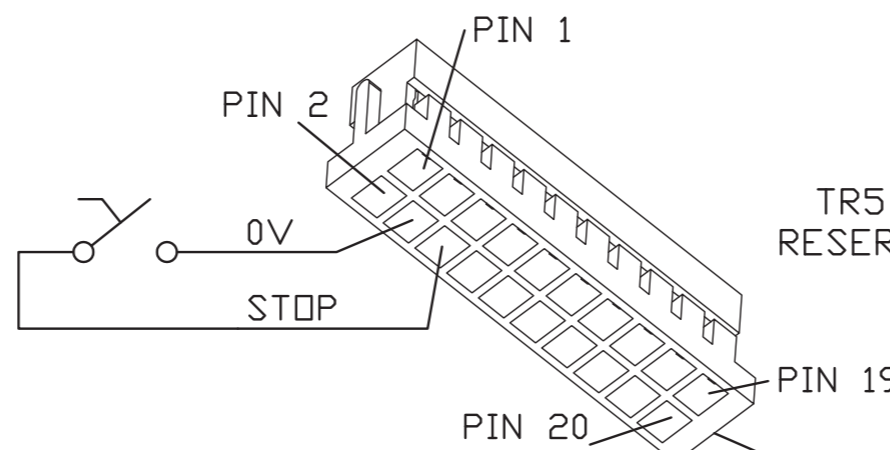
INPUT: 100-240V  
MAX 12A



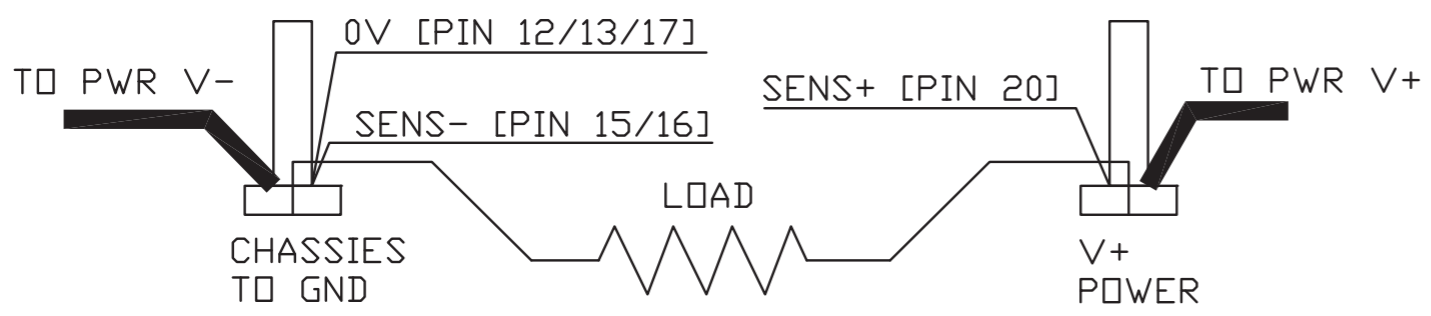
	PIN		
FOLD_BCK	2	1	INH_IN <INIBIT TO GND>
0V	4	3	I_OUT 10A/1V
STOP_IN <STOP TO GND>	6	5	STBY
LINE_KO_OC	8	7	WARN_OC
TR- <RS-485>	10	9	TR+ <RS-485>
0V	12	11	SHARE-BAS
EXTV_ADJ	14	13	0V
SENS-	16	15	SENS-
NC	18	17	0V
SENS+	20	19	NC



PWR V-  
PWR V+  
OUTPUT:  
42-48V  
MAX  
1900W  
AUX +  
AUX -  
AUX: 24V  
MAX 4A  
ISOLATION MAX  
500VDC

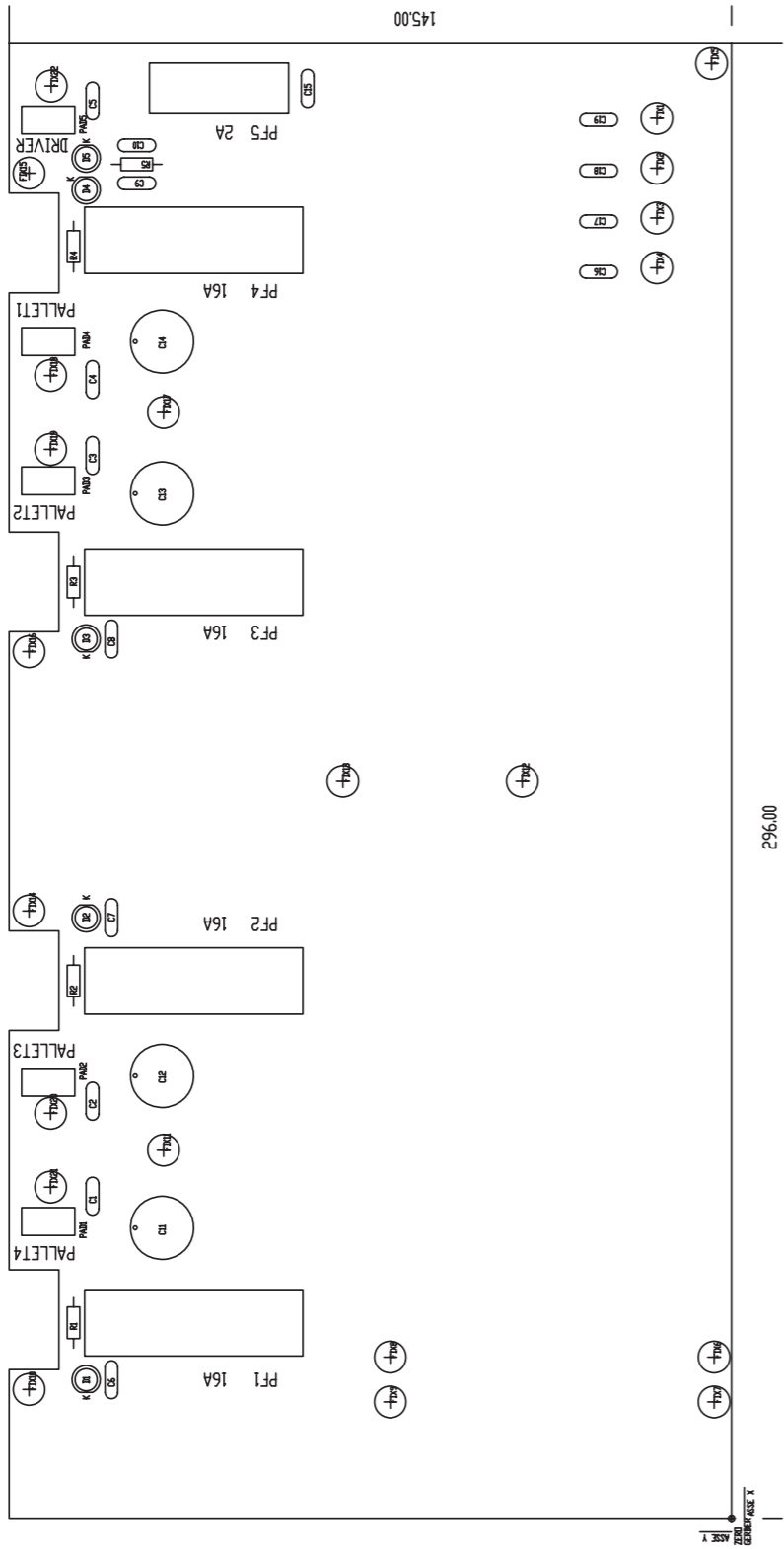


TR5 RESERVED  
TR1 FOLDBACK  
TR3 VOLTAGE ADJ  
CONNECTOR MODEL: HRS DF11-20DS-2C  
CONTACT MODEL: HRS DF11-2428SC

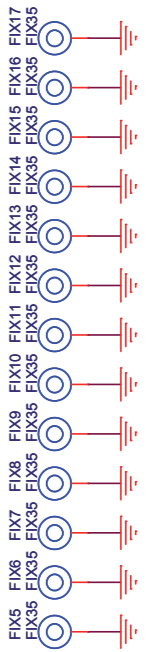
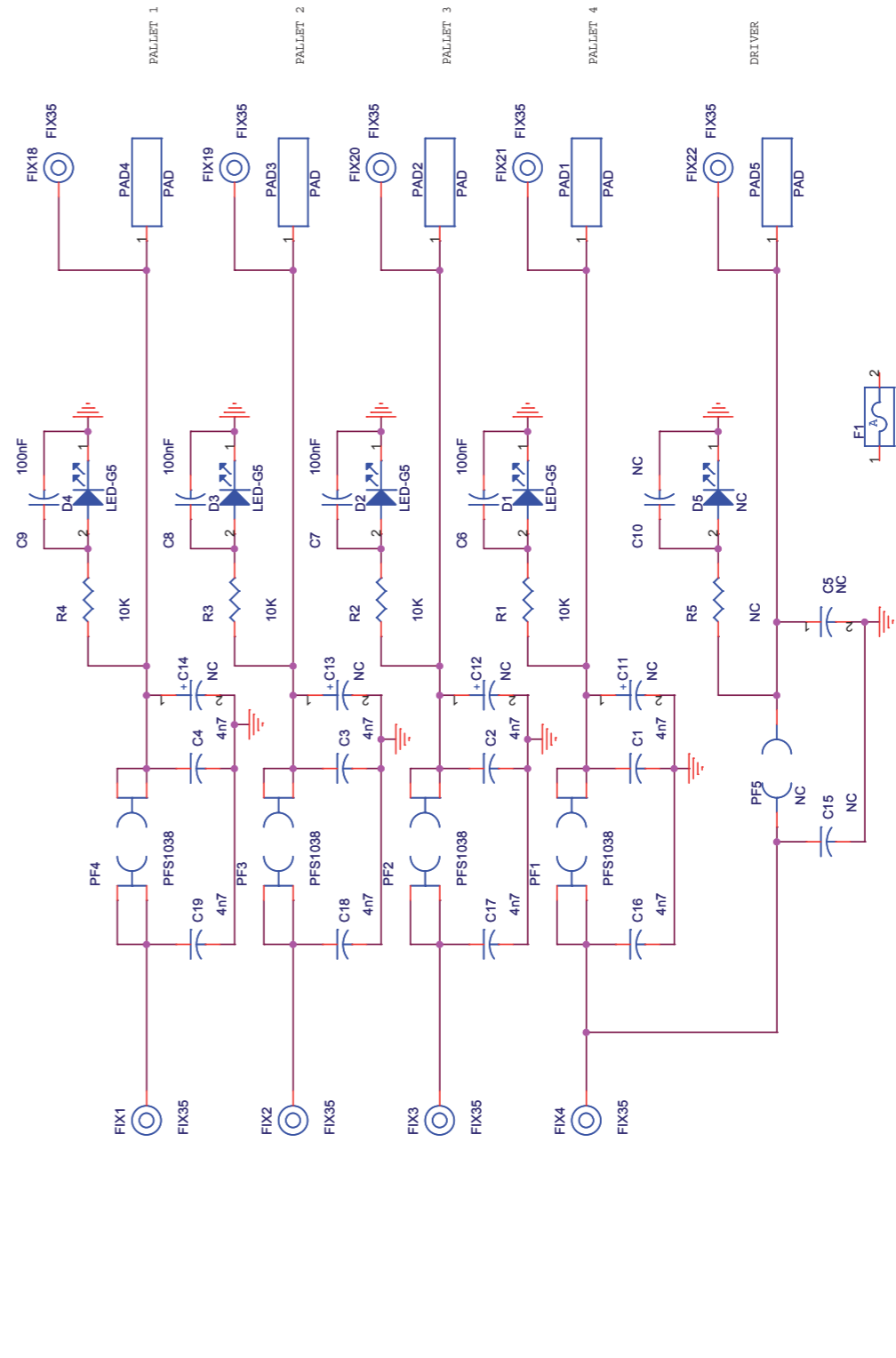


AUX CONNECTOR MODEL: AMP MOD I 280590  
AUX CONTACT MODEL: AMP MODU 181299-1

SL176FU1001



RILASCIO: 28/2/2008	DIS. SPOL. CTR. L.G. LATO PIANO DI MONTAGGIO VISTA LATO COMPONENTI
REV:	
DENOMINAZIONE: SCHEDA FUSE TEX2000	
DIMASCHEDA: VEDI PROFILO	
TRATT.: STANDARD COSTRUTTORE	
MAT.: FR4-74 1.6mm Cu35um	
VISTA POSITIVA	
	CODICE: CSFU019IRI
	RVR ELETTRONICA S.P.A.
	SCALA 1:1



Project Name: TEX2000	Page: 1 of 1	Size: A4
Designer: Luca Gasparini	Project Code: 176	
File Location: \	Description: Scheda Fuse TEX2000	
Folder/File: /	Revision: 1.1	Part No.: SL176FU1001
Date: Monday, May 24, 2010	Approve:	

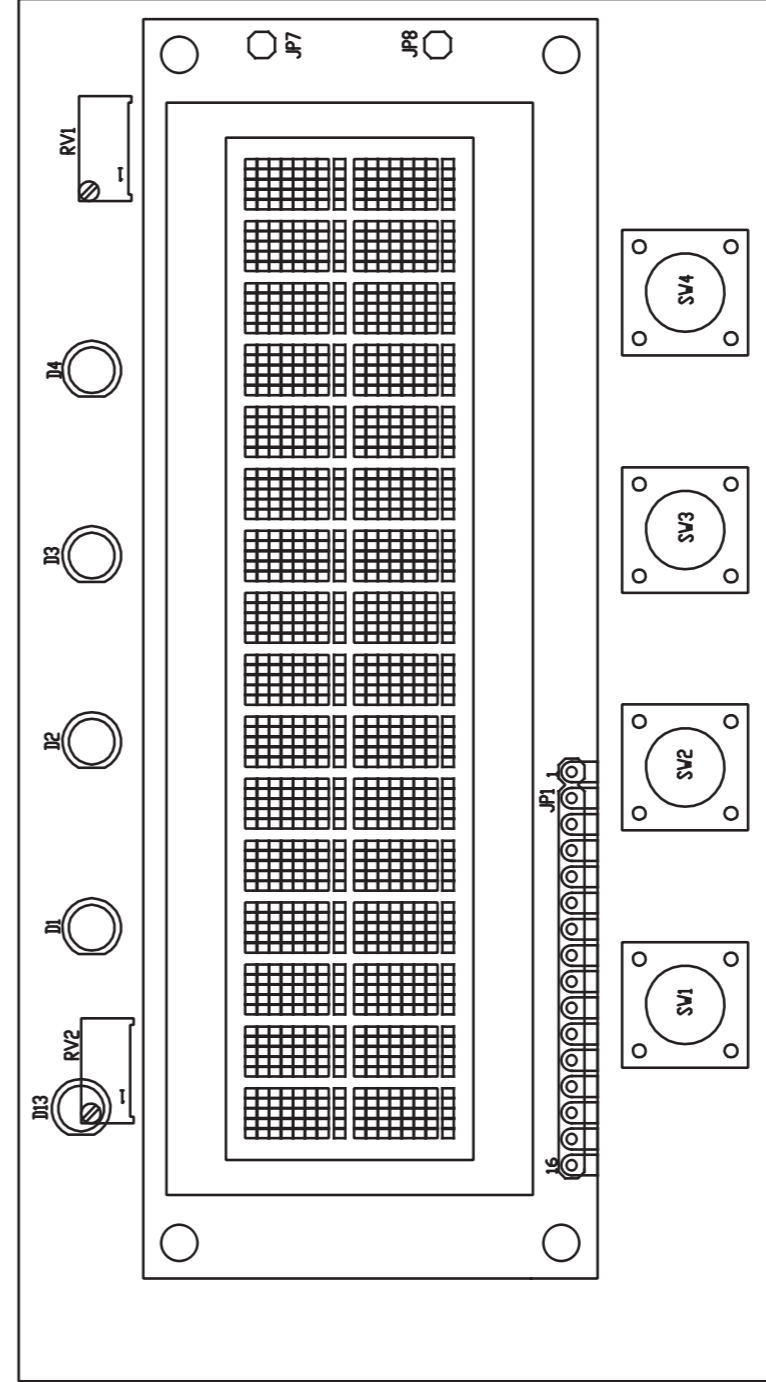
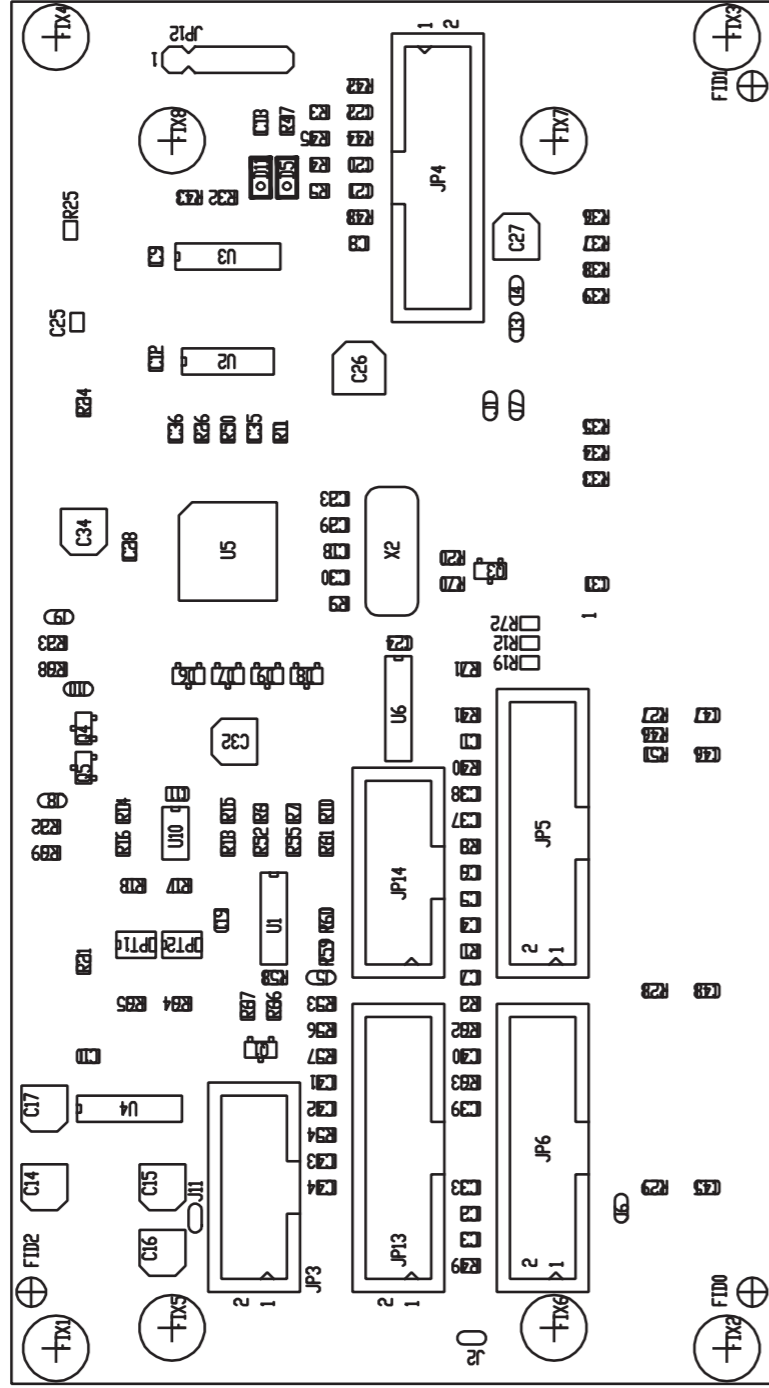
SL176FU1001

Scheda fuse TEX2000 Revised: 24/05/2010  
 SL176FU1001 Revision: 1.1  
 TEX2000  
 176

Luca Gasperini

Item	Quantity	Reference	Part	{description}
1	8	C1, C2, C3, C4, C16, C17, C18, C19	4n7	Cond. ceramico multistrato p 5mm
2	3	C5, C10, C15	NC	Cond. ceramico p 5mm
3	4	C6, C7, C8, C9	100nF	Cond. ceramico multistrato p 5mm
4	4	C11, C12, C13, C14	NC	Cond. Elettr. Dia 13 P5.08
5	4	D1, D2, D3, D4	LED-G5	LED Verde dia. 5mm
6	22	FIX1, FIX2, FIX3, FIX4, FIX5, FIX6, FIX7, FIX8, FIX9, FIX10, FIX11, FIX12, FIX13, FIX14, FIX15, FIX16, FIX17, FIX18, FIX19, FIX20, FIX21, FIX22	FIX35	Foro fissaggio 3.5mm
7	5	PAD1, PAD2, PAD3, PAD4, PAD5	PAD	Pad a saldare 5x10 mm
8	4	PF1, PF2, PF3, PF4	PFS1038	Portafusibile 10x38
9	1	PF5	NC	Portafusibile 5x20
10	4	R1, R2, R3, R4	10K	Res. 1/4W
11	4			Fusibili 16 A 10x38
12	1	F1 (montare in C11, alto come le clips dei fusibili)	RXE400	Fusibile autoripristinante 400 mA
13	1	CS1	CSFU0191R1	Circuito stampato
14	1	R5	NC	Res. 1/4W
15	1	D5	NC	LED Verde dia. 5mm

SLPC0436R01V03



PRODUCT NAME : TEX-LCD, P-J-LCD, LINK, URP | PART NAME : SEM.SCH.PANEL CARD PIC18F452

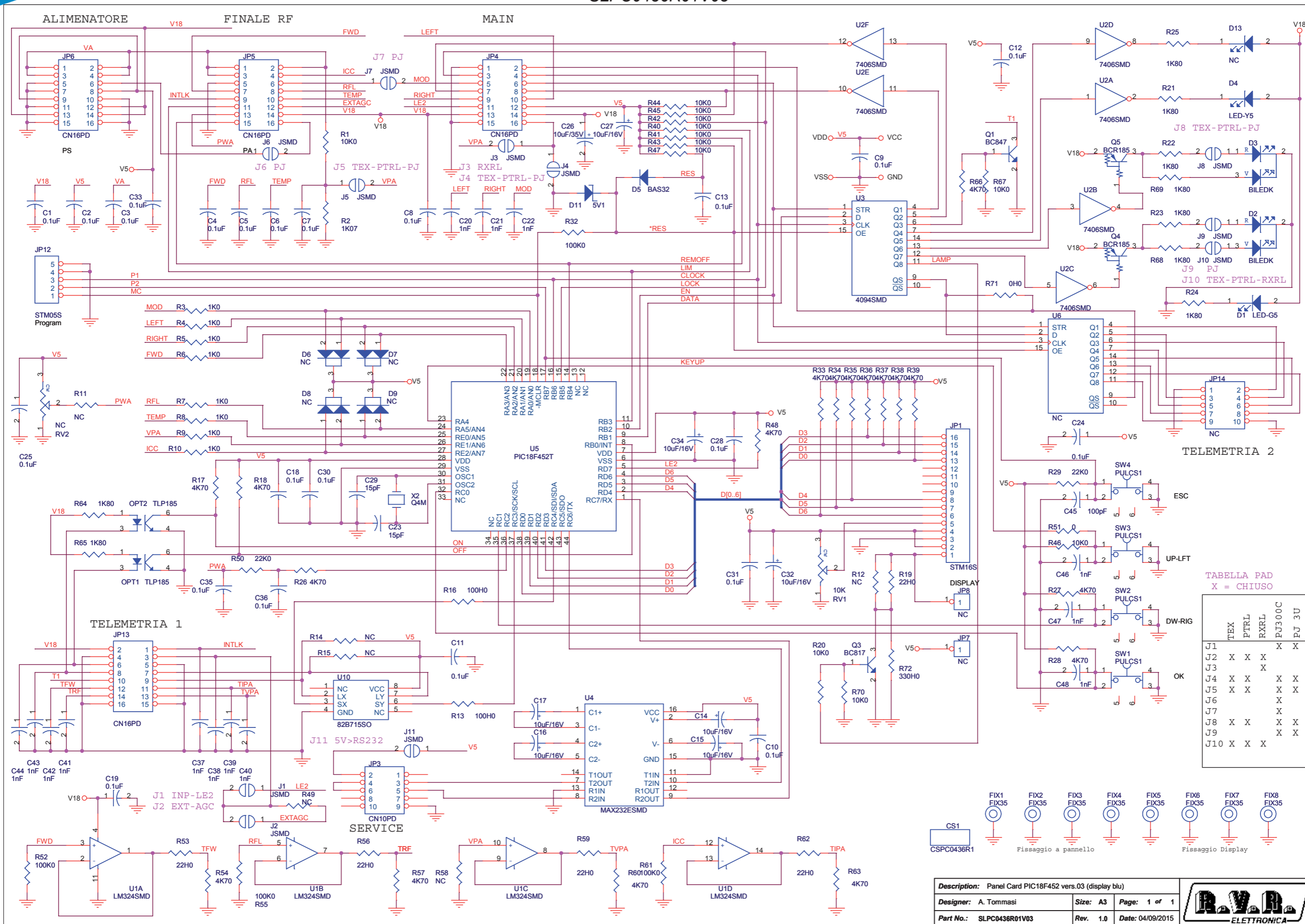
DESIGNER : A. TOMMASI

DATE : 03/09/15 | REVISION : 1.0 | SCALE : 1:1 | SIZE : A4 | PAGE : 1 DI 1

PROJECT CODE : <

DOCUMENT CODE : SLPC0436R01V01

SLPC0436R01V03



TELEMETRIA 2

TABELLA PAD  
X = CHIUSO

	TEX	PTRL	RXRL	PJ300C	PJ 3U
J1	X	X	X	X	X
J2	X	X	X	X	X
J3	X	X	X	X	X
J4	X	X	X	X	X
J5	X	X	X	X	X
J6	X	X	X	X	X
J7	X	X	X	X	X
J8	X	X	X	X	X
J9	X	X	X	X	X
J10	X	X	X	X	X

**Description:** Panel Card PIC18F452 ver.03 (display blu)  
**Designer:** A. Tommasi **Size:** A3 **Page:** 1 of 1  
**Part No.:** SLPC0436R01V03 **Rev.:** 1.0 **Date:** 04/09/2015

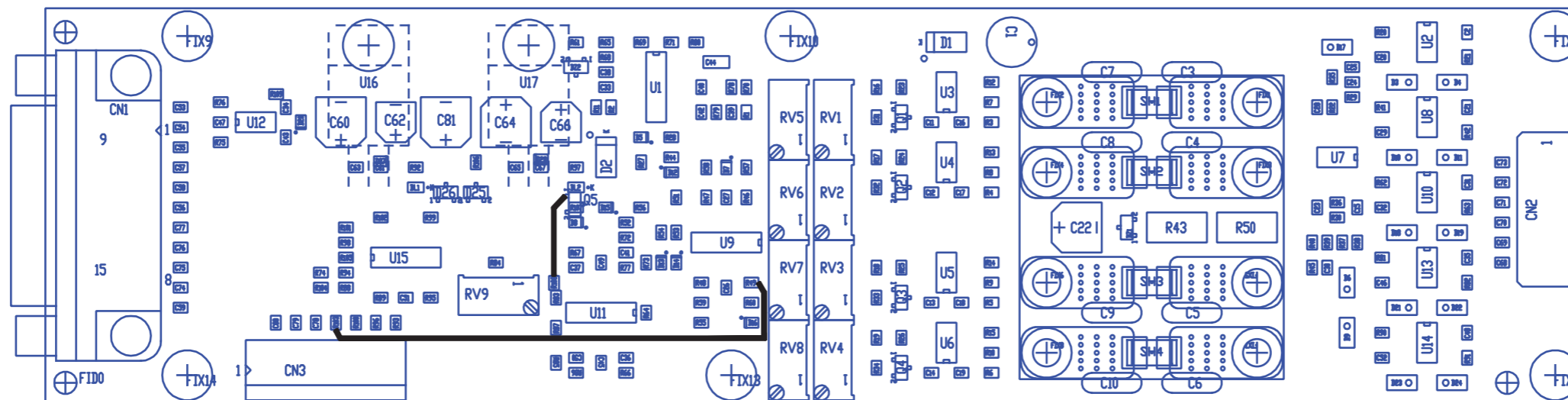




SLPC0436R01V03

Panel Card PIC18F452 vers.03 (display blu)  
 SLPC0436R01V03 Revision: 1.0  
 04/09/2015  
 A. Tommasi

Item	Quantity	Reference	Part	Description
1	1	CS1	CSPC0436R1	Circuito stampato
2	23	C1,C2,C3,C4,C5,C6,C7,C8, C9,C10,C11,C12,C13,C18, C19,C24,C25,C28,C30,C31, C33,C35,C36	0.1uF	Cond. SMD 0805
3	7	C14,C15,C16,C17,C27,C32, C34	10uF/16V	Cond. Elett. SMD d. 4mm
4	14	C20,C21,C22,C37,C38,C39, C40,C41,C42,C43,C44,C46, C47,C48	1nF	Cond. SMD 0805
5	2	C23,C29	15pF	Cond. SMD 0805
6	1	C26	10uF/35V	Cond. Elett. SMD d. 5mm
7	1	C45	100pF	Cond. SMD 0805
8	1	D1	LED-G5	LED Verde dia. 5mm
9	2	D2,D3	BILEDK	Doppio led V-R 5mm Catodo com.
10	1	D4	LED-Y5	LED Giallo dia. 5mm
11	1	D5	BAS32	MINIMELF SMD Diode
12	4	D6,D7,D8,D9	NC	Doppio Diodo SMD SOT23
13	1	D11	5V1	MINIMELF SMD Zener Diode
14	1	D13	NC	LED Giallo dia. 5mm
15	8	FIX1,FIX2,FIX3,FIX4,FIX5, FIX6,FIX7,FIX8	FIX35	Foro fissaggio 3.5mm
16	1	JP1	STM16S	Strip femmina 16 pin
17	1	JP3	CN10PD	Connettore 10 poli Flat cs
18	4	JP4,JP5,JP6,JP13	CN16PD	Connettore 16 poli Flat cs
19	2	JP7,JP8	NC	Strip femmina 1 pin
20	1	JP12	STM05S	Strip maschio 5 pin
21	1	JP14	NC	Connettore 10 poli Flat cs
22	11	J1,J2,J3,J4,J5,J6,J7,J8, J9,J10,J11	JSMD	Pad SMD a saldare
23	2	OPT1,OPT2	TLP185	Optoisolatore SMD SO6
24	1	Q1	BC847	Trans. NPN SOT23
25	1	Q3	BC817	Trans. NPN SOT23
26	2	Q4,Q5	BCR185	Trans./Res. PNP SOT23
27	1	RV1	10K	Trimmer Rg V 3296W
28	1	RV2	NC	Trimmer Rg V 3296W
29	12	R1,R20,R40,R41,R42,R43, R44,R45,R46,R47,R67,R70	10K0	Res. SMD 0805 1%
30	1	R2	1K07	Res. SMD 0805 1%
31	8	R3,R4,R5,R6,R7,R8,R9,R10	1K0	Res. SMD 0805 1%
32	6	R11,R12,R14,R15,R49,R58	NC	Res. SMD 0805 1%
33	2	R13,R16	100H0	Res. SMD 0805 1%
34	18	R17,R18,R26,R27,R28,R33, R34,R35,R36,R37,R38,R39, R48,R54,R57,R60,R63,R66	4K70	Res. SMD 0805 1%
35	5	R19,R53,R56,R59,R62	22H0	Res. SMD 0805 1%
36	9	R21,R22,R23,R24,R25,R64, R65,R68,R69	1K80	Res. SMD 0805 1%
37	2	R29,R50	22K0	Res. SMD 0805 1%
38	4	R32,R52,R55,R61	100K0	Res. SMD 0805 1%
39	2	R51,R71	0H0	Res. SMD 0805 1%
40	1	R72	330H0	Res. SMD 0805 1%
41	4	SW1,SW2,SW3,SW4	PULCS1	Pulsante cs
42	1	U1	LM324SMD	Quad Op. SMD SO14
43	1	U2	7406SMD	Hex inv OC SMD SO14
44	1	U3	4094SMD	Shift Reg. SMD SO16
45	1	U4	MAX232ESMD	RS232 Driver SMD SO16
46	1	U5	PIC18F452T	TQFP44 SMD Microprocessor
47	1	U6	NC	Shift Reg. SMD SO16
48	1	U10	82B715SO	IIC Bus driver SMD SO8
49	1	X2	Q4M	Quarzo SMD HC49SMD



PRODUCT NAME : TEX3500

DESIGNER : L. GASPERINI

ARCHIVING : 'RVRUT' SERVER, 'RILASCIATI' FOLDER

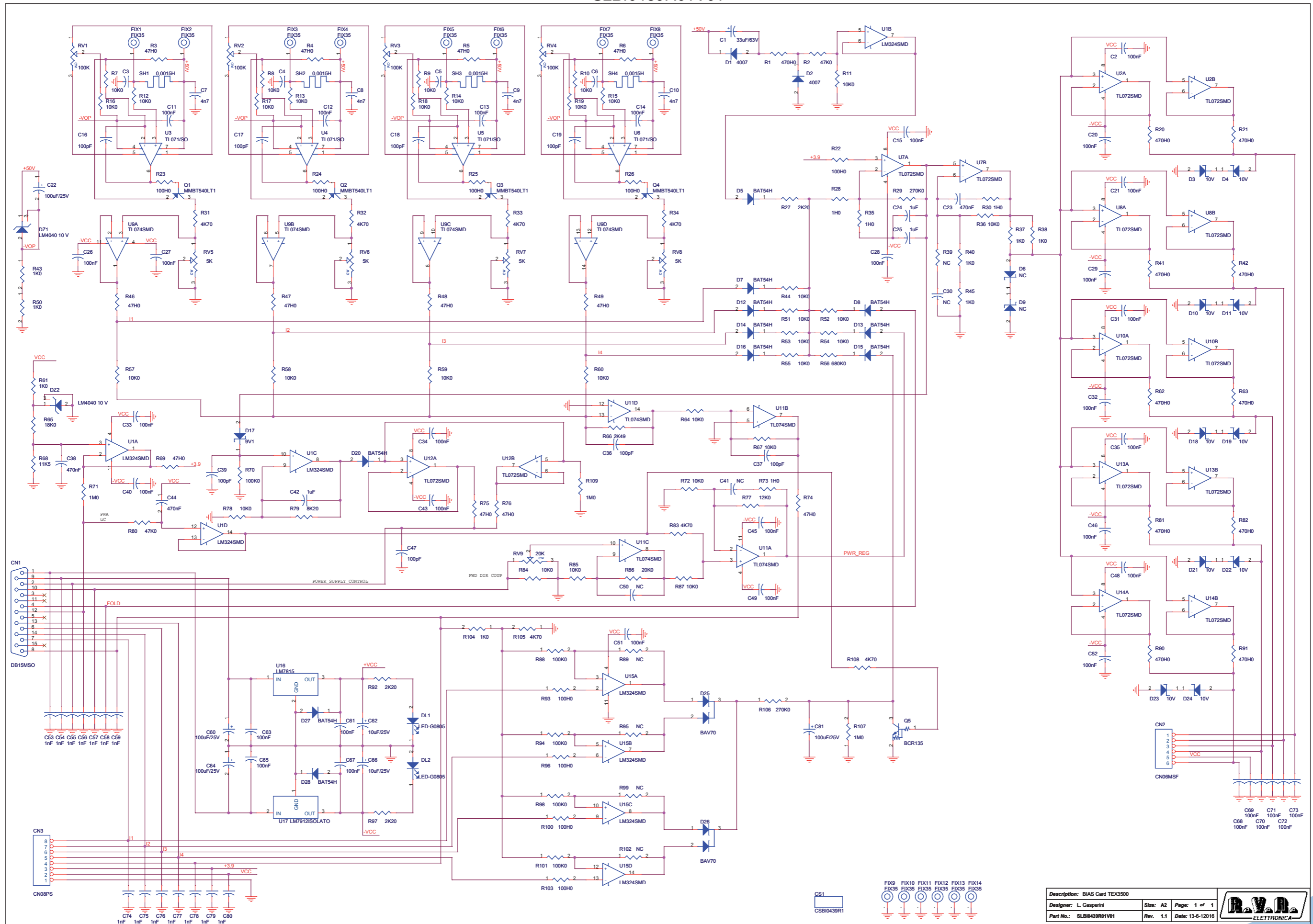
PART NAME : BIAS CARD

DATE : 13-6-2016 REVISION : 1.1 SCALE : 1:1 SIZE : A4 PAGE : 1 DI 1

DOCUMENT CODE : SLBI0439R01V01



SLBI0439R01V01

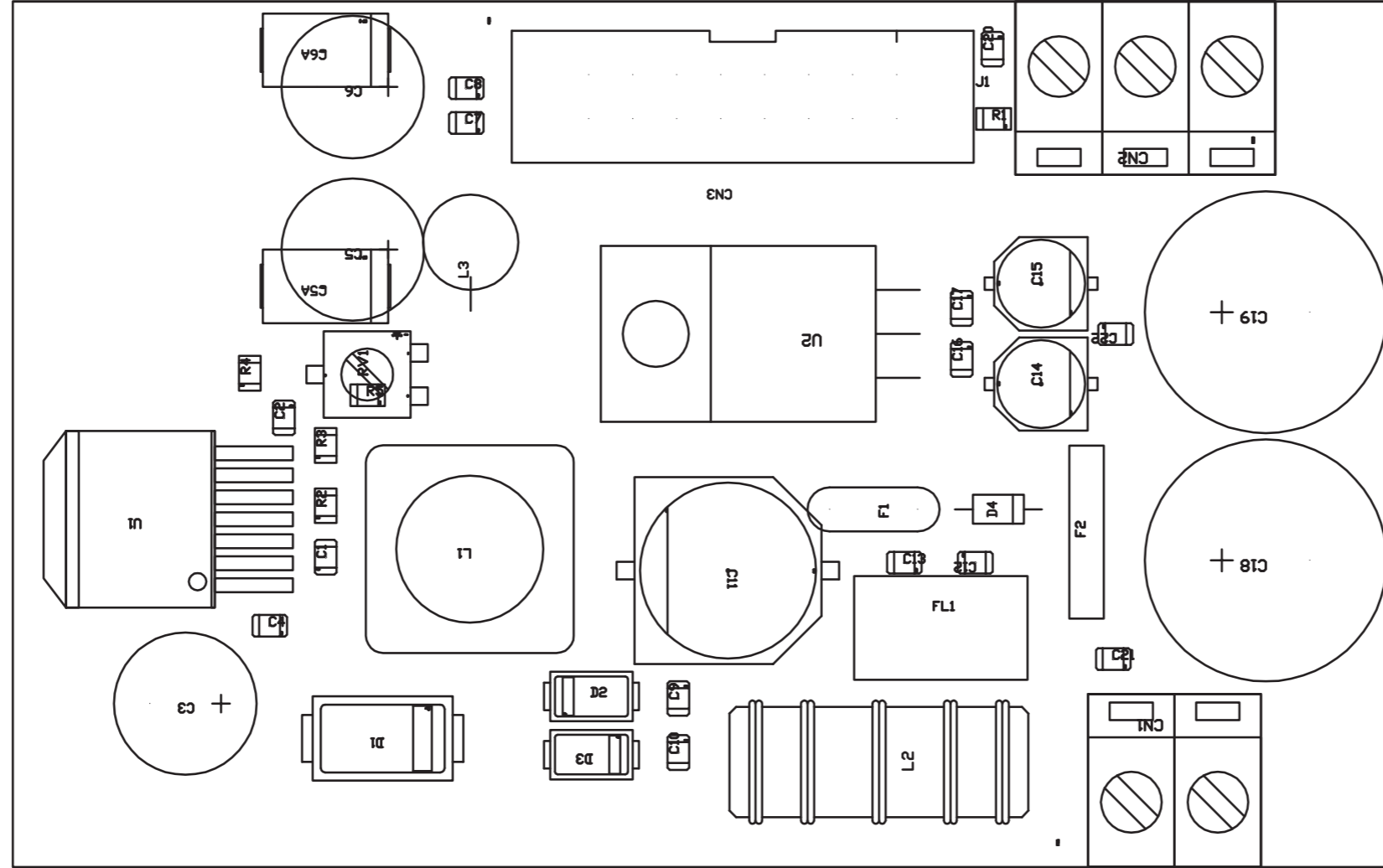


Description: BIAS Card TEX3500		<b>R.V.R.</b>	
Designer: L. Gasperini	Size: A2	Page: 1 of 1	ELETTRONICA
Part No.: SLBI0439R01V01	Rev. 1.1	Date: 13-6-12016	

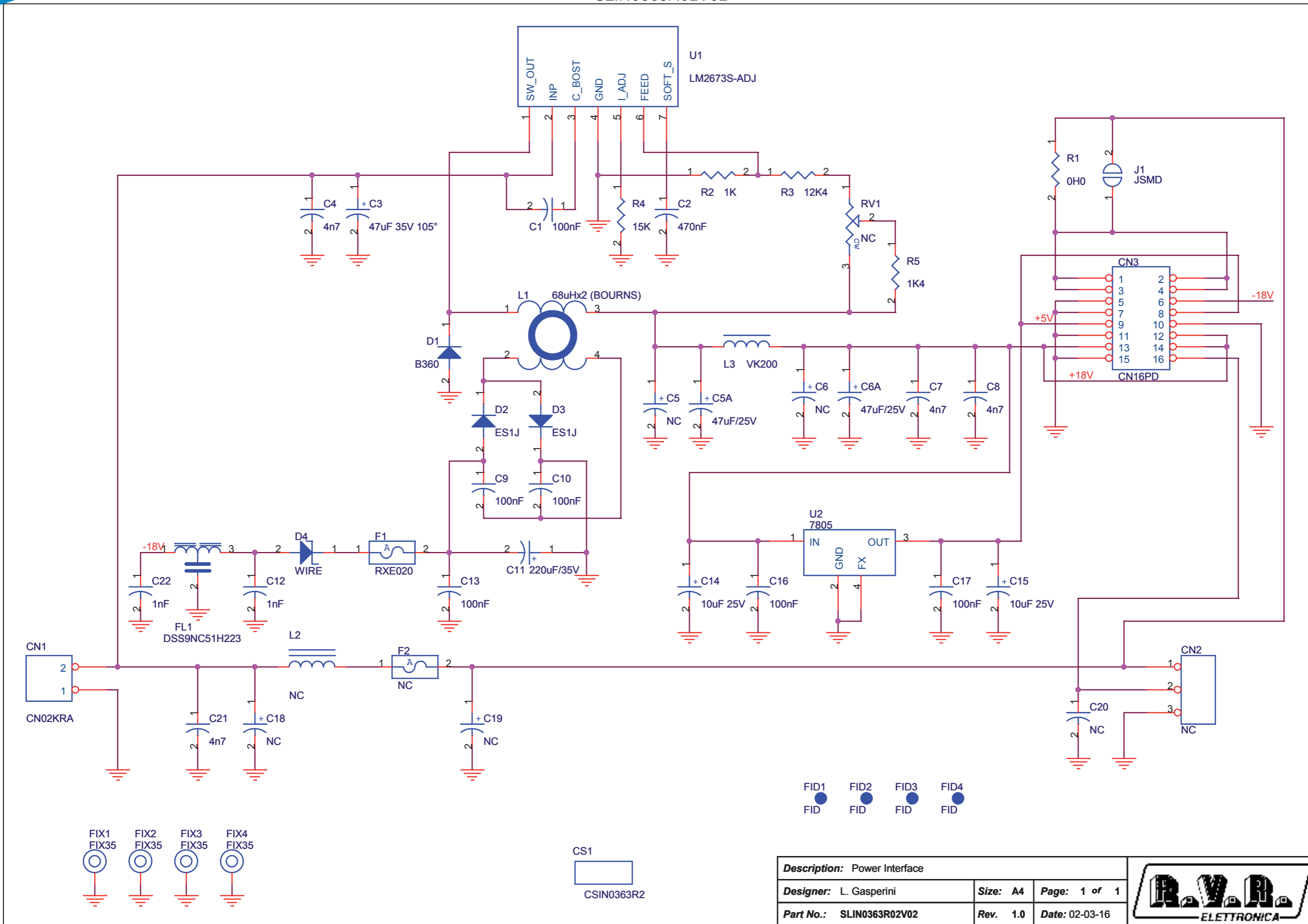
SLBI0439R01V01

BIAS Card TEX3500 Revised: Monday, June 13, 2016  
 SLBI0439R01V01 Revision: 1.1  
 L. Gasperini

Item	Quantity	Reference	Part	(description)
1	1	CN1	DB15MSO	Connettore DB15 mas. cs 90°
2	1	CN2	CN06MSF	Connettore 6 poli Lumberg p 2.5mm
3	1	CN3	CN08PS	STRIP MASCHIO 8 PIN
4	1	CS1	CSBI0439R1	Circuito stampato
5	1	C1	33uF/63V	Cond. Elett. Dia 6.5 P2.54
6	35	C2, C11, C12, C13, C14, C15, C20, C21, C26, C27, C28, C29, C31, C32, C33, C34, C35, C40, C43, C45, C46, C48, C49, C51, C52, C61, C63, C65, C67, C68, C69, C70, C71, C72, C73	100nF	Cond. SMD 0805
7	8	C3, C4, C5, C6, C7, C8, C9, C10	4n7	Cond. ceramico multistrato p 5mm
8	8	C16, C17, C18, C19, C36, C37, C39, C47	100pF	Cond. SMD 0805
9	4	C22, C60, C64, C81	100uF/25V	Cond. Elett. SMD d. 6.3mm
10	2	C38, C23	470nF	Cond. SMD 0805
11	3	C24, C25, C42	1uF	Cond. SMD 0805
12	3	C30, C41, C50	NC	Cond. SMD 0805
13	1	C44	470nF	Cond. SMD 1206
14	14	C53, C54, C55, C56, C57, C58, C59, C74, C75, C76, C77, C78, C79, C80	1nF	Cond. SMD 0805
15	2	C66, C62	10uF/25V	Cond. Elett. SMD d. 6.3mm
16	2	DL1, DL2	LED-G0805	LED Verde SMD 0805
17	2	DZ1, DZ2	LM4040 10 V	Diodi Zener SMD SOT23
18	2	D2, D1	4007	MELF SMD Diode
19	10	D3, D4, D10, D11, D18, D19, D21, D22, D23, D24	10V	MINIMELF SMD Zener Diode
20	11	D5, D7, D8, D12, D13, D14, D15, D16, D20, D27, D28	BA154H	SCD323 SMD Diode
21	2	D9, D6	NC	MINIMELF SMD Zener Diode
22	1	D17	9V1	MINIMELF SMD Zener Diode
23	2	D25, D26	BAV70	Doppio Diode SMD SOT23
24	14	FIX1, FIX2, FIX3, FIX4, FIX5, FIX6, FIX7, FIX8, FIX9, FIX10, FIX11, FIX12, FIX13, FIX14	FIX35	Foro fissaggio 3.5mm
25	4	Q1, Q2, Q3, Q4	MMBT540LT1	Trans. PNP SOT23
26	1	Q5	BCR135	Trans./Res. NPN SOT23
27	4	RV1, RV2, RV3, RV4	100K	Trimmer Rg V 3296W
28	4	RV5, RV6, RV7, RV8	5K	Trimmer Rg V 3296W
29	1	RV9	20K	Trimmer Rg V 3296W
30	11	R1, R20, R21, R41, R42, R62, R63, R81, R82, R90, R91	470H0	Res. SMD 0805
31	2	R80, R2	47K0	Res. SMD 0805
32	12	R3, R4, R5, R6, R46, R47, R48, R49, R69, R74, R75, R76	47H0	Res. SMD 0805
33	31	R7, R8, R9, R10, R11, R12, R13, R14, R15, R16, R17, R18, R19, R36, R44, R51, R52, R53, R54, R55, R57, R58, R59, R60, R64, R67, R72, R78, R84, R85, R87	10K0	Res. SMD 0805
34	9	R22, R23, R24, R25, R26, R93, R96, R100, R103	100H0	Res. SMD 0805
35	3	R27, R92, R97	2K20	Res. SMD 0805
36	4	R28, R30, R35, R73	1H0	Res. SMD 0805
37	2	R29, R106	270K0	Res. SMD 0805
38	7	R31, R32, R33, R34, R83, R105, R108	4K70	Res. SMD 0805
39	6	R37, R38, R40, R45, R61, R104	1K0	Res. SMD 0805
40	5	R39, R89, R95, R99, R102	NC	Res. SMD 0805
41	2	R43, R50	1K0	Res. SMD 2512 1%
42	1	R56	680K0	Res. SMD 0805
43	1	R65	18K0	Res. SMD 0805
44	1	R66	2K49	Res. SMD 0805
45	1	R68	11K5	Res. SMD 0805
46	5	R70, R88, R94, R98, R101	100K0	Res. SMD 0805
47	3	R71, R107, R109	1M0	Res. SMD 0805
48	1	R77	12K0	Res. SMD 0805
49	1	R79	8K20	Res. SMD 0805
50	1	R86	20K0	Res. SMD 0805
51	4	SH1, SH2, SH3, SH4	0.0015H	Shunt SMD 2512
52	2	U1, U15	LM324SMD	Quad Op. SMD SO14
53	7	U2, U7, U8, U10, U12, U13, U14	TL072SMD	Dual Op. SMD SO8
54	4	U3, U4, U5, U6	TL071/SO	Dual Op. SMD SO8
55	2	U9, U11	TL074SMD	Quad Op. SMD SO14
56	1	U16	LM7815	Stabilizzatore TO220
57	1	U17	LM7912ISOLATO	Stabilizzatore TO220



<b>NOME PROGETTO:</b> TEX1002LCD	<b>NOME PARTE:</b> INTERFACCIA ALIMENTAZIONE
<b>AUTORE:</b> L. GASPERINI	<b>DATA:</b> 04-06-2015
<b>ARCHIVIAZIONE ELETTRONICA:</b> "CARTELLA RILASCIATI" SU "RVRUT"	<b>REVISIONE:</b> 1.0
<b>MATERIALE:</b> <>	<b>SCALA:</b> 2:1
<b>TRATTAMENTO:</b> <>	<b>SIZE:</b> A4
<b>PROFILO:</b> <>	<b>PAGINA:</b> 1 DI 1
<b>STATO:</b> ESECUTIVO	<b>CODICE PROGETTO:</b> 241
	<b>CODICE DISEGNO:</b> SLIN0363R02V01



<b>Description:</b> Power Interface		
<b>Designer:</b> L. Gasperini	<b>Size:</b> A4	<b>Page:</b> 1 of 1
<b>Part No.:</b> SLIN0363R02V02	<b>Rev.</b> 1.0	<b>Date:</b> 02-03-16



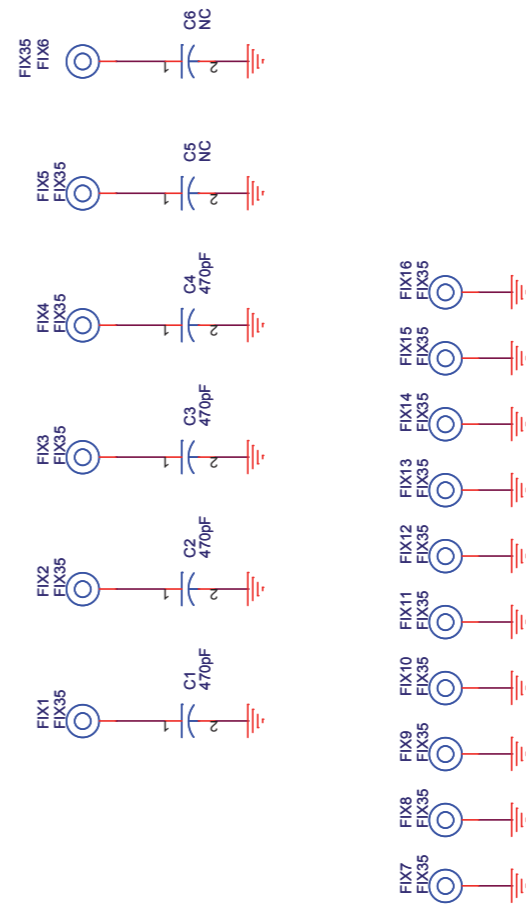
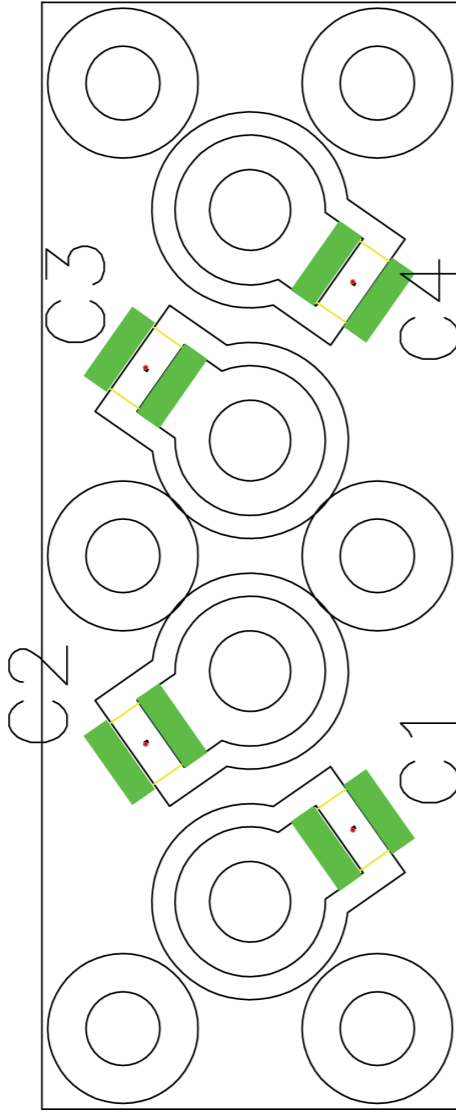
SLIN0363R02V02

Power Interface Revised: 2-03-2016  
 SLIN0363R02V02 Revision: 1.0  
 Luca Gasperini

Item	Quantity	Reference	Part	{DESCRIPTION}
1	1	CN1	CN02KRA	Conn. tipo KRA a 2 poli
2	1	CN2	NC	Conn. tipo KRA a 3 poli
3	1	CS1	CSIN0363R2	Circuito stampato
4	6	C1, C9, C10, C13, C16, C17	100nF	Cond. SMD 0805
5	1	C2	470nF	Cond. SMD 0805
6	1	C3	47uF 35V 105°	Cond. Elettr. Dia 10 P5.08
7	4	C4, C7, C8, C21	4n7	Cond. SMD 0805
8	1	C11	220uF/35V	Cond. Elettr. SMD d. 10mm
9	2	C14, C15	10uF 25V	Cond. Elettr. SMD d. 5mm
10	2	C19, C18	NC	Cond. Elettr. Dia 13 P5.08
11	1	D1	B360	MELF SMD Diode
12	2	D3, D2	ES1J	MELF SMD Diode
13	1	D4	WIRE	
14	4	FID1, FID2, FID3, FID4	FID	Fiducial CS
15	4	FIX1, FIX2, FIX3, FIX4	FIX35	Foro fissaggio 3.5mm
16	1	F1	RXE020	Fusibile autorip. 4 mm
17	1	F2	NC	Fusibile autorip. 10 mm
18	1	CN3	CN16PD	Conn.M.C.S.Dritto 16P alette.
19	1	L1	68uHx2 (BOURNS)	Ind. toroidale modo comune
20	1	L2	NC	Induttanza toroidale
21	1	RV1	NC	Trimmer SMD
22	1	R1	NC	Res. SMD 0805
23	1	R2	1K	Res. SMD 0805
24	1	R3	12K4	Res. SMD 0805
25	1	R4	15K	Res. SMD 0805
26	1	R5	1K4	Res. SMD 0805
27	1	U1	LM2673S-ADJ	Regolatore switching DDPACK
28	1	U2	7805	Stabilizzatore TO220F Isolato
29	2	C12, C22	1nF	Cond. SMD 0805
30	1	L3	VK200	Ind. VK200
31	2	C5A, C6A	47uF 25V	Cond. Tant. CASE D
32	1	FL1	DSS9	Filt EMI DSS9
33	1	C20	NC	Cond. SMD 0805

SL176FI1001

SL176FI1001



CS1  
CSPAS1

Project Name: TEX2000	Page: 1 of 1	Size: A4
Designer: Luca Gasparini	Project Code: 176	
File Location: \\	Date: Friday, November 11, 2016	
Folder/File: /	Revision: 1.1	
	Description: Passaparete	
	Part No.: SL176FI1001	

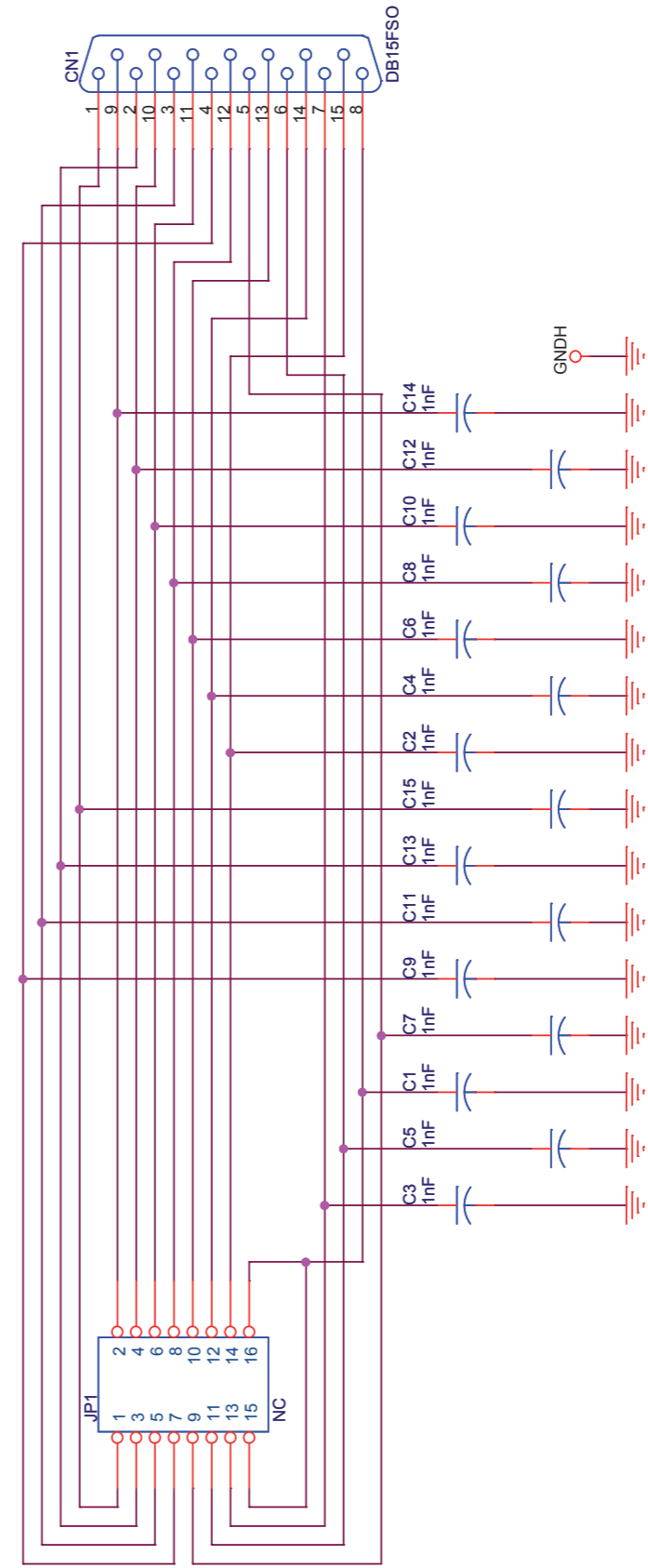


SL176F11001

Passaparete Revised: 13/11/2015  
 SL176F11001 Revision: 1.1  
 TEX2000  
 Luca Gasperini

Item	Quantity	Reference	Part
1	1	CS1	CSPAS1 Circuito stampato
2	4	C1, C2, C3, C4	470pF Cond. SMD 1212 HQ
3	16	FIX1, FIX2, FIX3, FIX4, FIX5, FIX6, FIX7, FIX8, FIX9, FIX10, FIX11, FIX12, FIX13, FIX14, FIX15, FIX16	FIX35 Foro fissaggio 3.5mm
3	2	C5, C6	NC

SLDB15FFILF2A



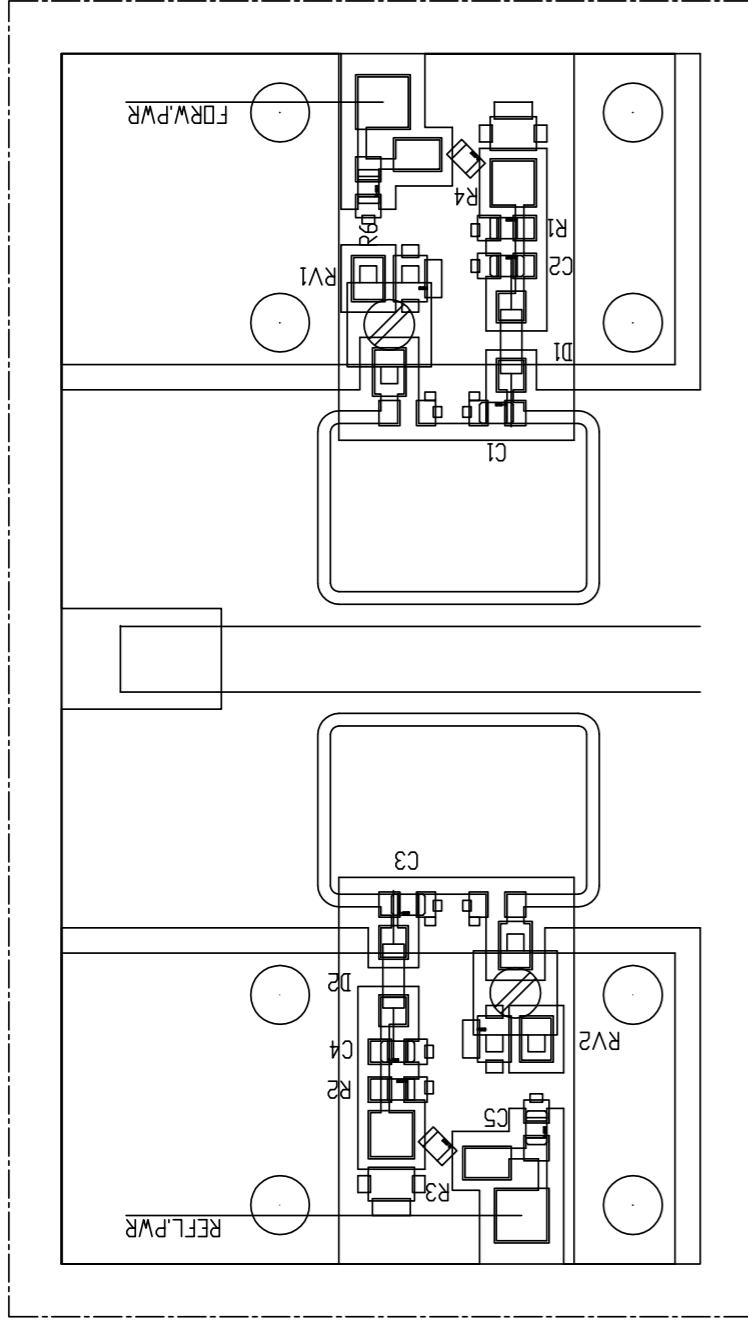
Description: Filtered DB15 Connector		Page: 1 of 1
Designer: L. Gasparini		Size: A
Part No.: SLDB15FFILF2A		Rev. 1.0
		Date: 24/03/2016

SLDB15FFILF2A

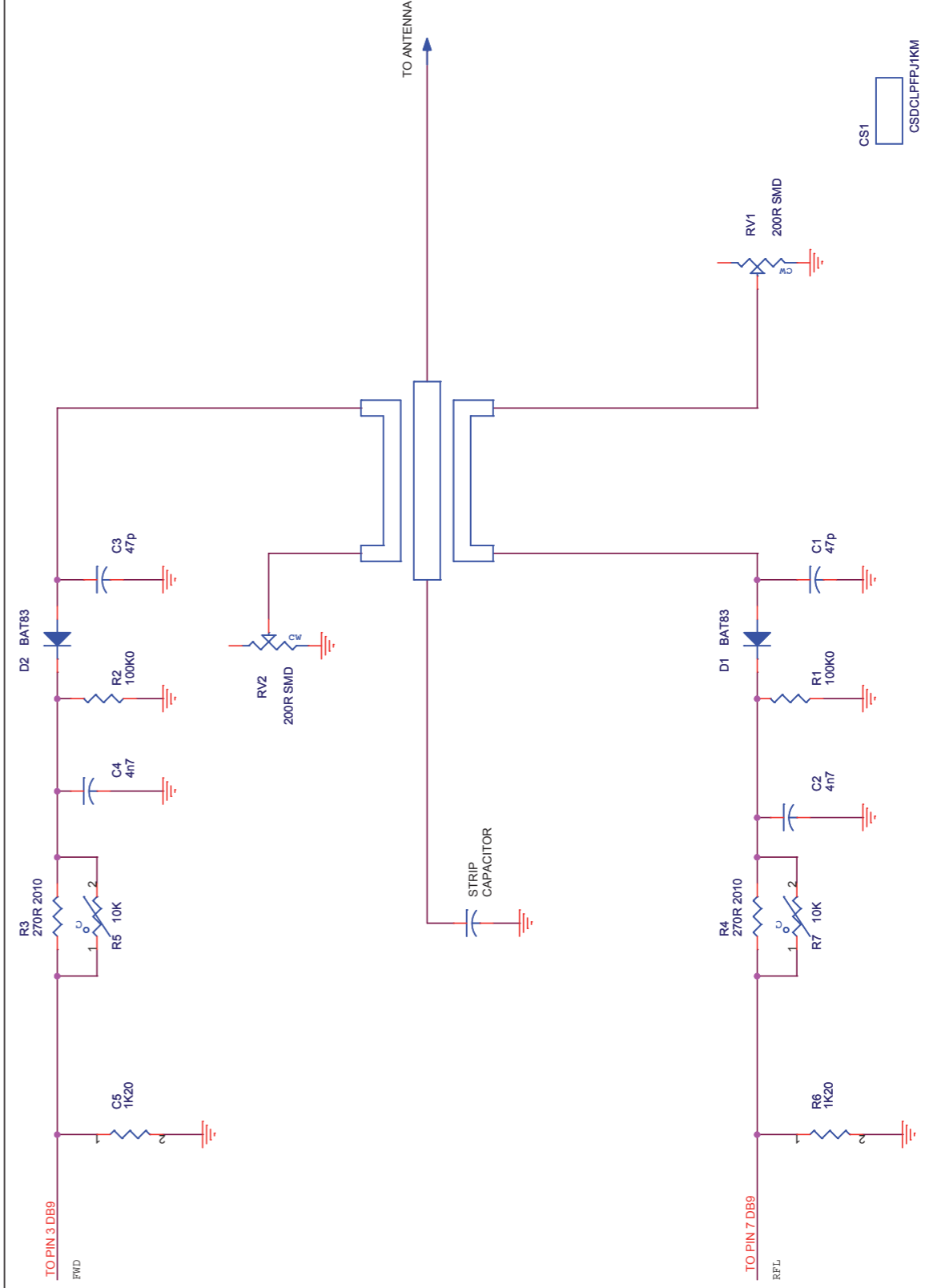
Filtered DB15 Connector Revised: Thursday, March 24, 2016  
 SLDB15FFILF2A Revision: 1.0  
 L. Gasperini

Item	Quantity	Reference	Part	{description}
1	1	CN1	DB15FSO	Connettore femmina DB15 CS 90° CNTDB15FCSA
2	15	C1, C2, C3, C4, C5, C6, C7, C8, C9, C10, C11, C12, C13, C14, C15	1nF	CCC085102JNC
3	1	JP1	NC	

SL249DC1001



Nome Progetto: TEX2000		Pagina: 1 di 1		Size: A3	
Autore: Ufficio Tecnico		Data: 08-09-08		Codice Progetto: 176	
Nome PC in Rete: \\\UT_SRV\PROGETTI		Revisione: 1.0		Nome Parte: DIRECTIONAL COUPLER	
File/Cartella:		Autorizzazione:		Codice: SL176DC1001	
Scala: /	Materiale: /	Trattamento: /	Profilo: /		

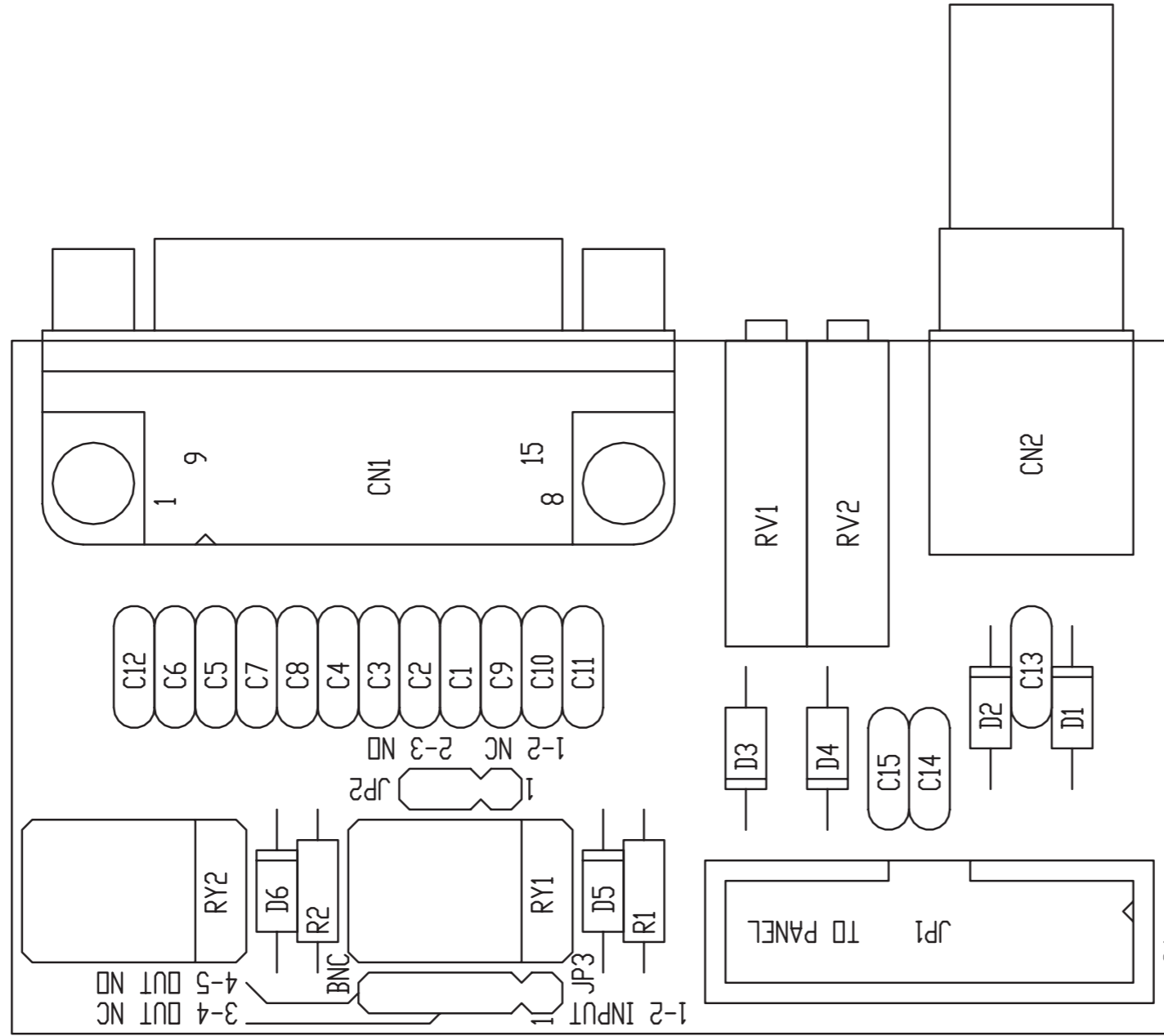


Description: Directional Coupler TEX3500		Size: A4		Page: 1 of 1	
Designer: L. Gasparini		Rev: 1.0		Date: 03/03/2016	
Part No.: SL249DC1001					

SL249DC1001

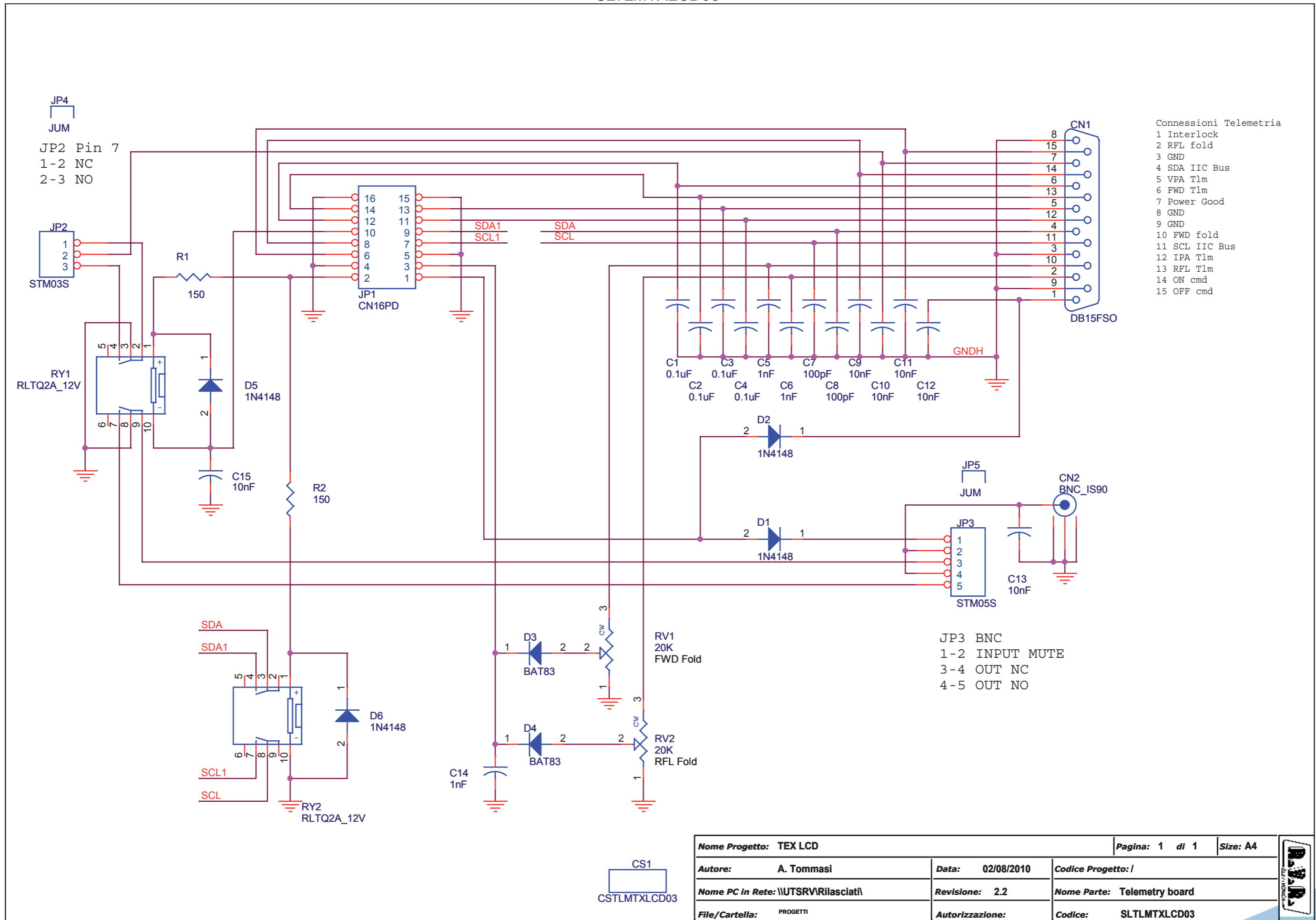
Directional coupler TEX3500 Revised: 03-03-2016  
 SL249DC1001 Revision: 1.0  
 L. Gasperini

Item	Quantity	Reference	Part
1	1	CS1	CSDCLPFJ1KM
3	2	C1, C3	47p
4	2	C2, C4	4n7
5	1	R6	1K20
7	2	D1, D2	BAT83
8	2	RV1, RV2	200R SMD
9	2	R1, R2	100K0
10	2	R3, R4	270R 2010
11	2	R5, R7	10K NTC
12	1	C5	NC



	NOME PROGETTO: TEX LCD	NOME PARTE: SCHEDA TELEMETRY BOARD
ARCHIVIAZIONE ELETTRONICA: "CARTELLA PROGETTI" SU "UT_SRV"	AUTORE: S.POLUZZI	DATA: 11/11/04
MATERIALE: FR4-74 1.6mm	IRATTAMENTO: Cu 35um	REVISIONE: 3.0
	PROFILO: /	SCALA: 2:1
	STATO: PROGETTUALE	SIZE: A4
		PAGINA: 1 DI 1
		CODICE PROGETTO: /
		CODICE DISEGNO: CSTLMTXLCD03

**SLTLMTXLCD03**



Nome Progetto: <b>TEX LCD</b>		Pagina: <b>1 di 1</b>	Size: <b>A4</b>
Autore: <b>A. Tommasi</b>	Data: <b>02/08/2010</b>	Codice Progetto: /	
Nome PC in Rete: <b>\\UTSRV\Rilasciat\</b>	Revisione: <b>2.2</b>	Nome Parte: <b>Telemetry board</b>	
File/Cartella: <b>PROGETTI</b>	Autorizzazione:	Codice: <b>SLTLMTXLCD03</b>	

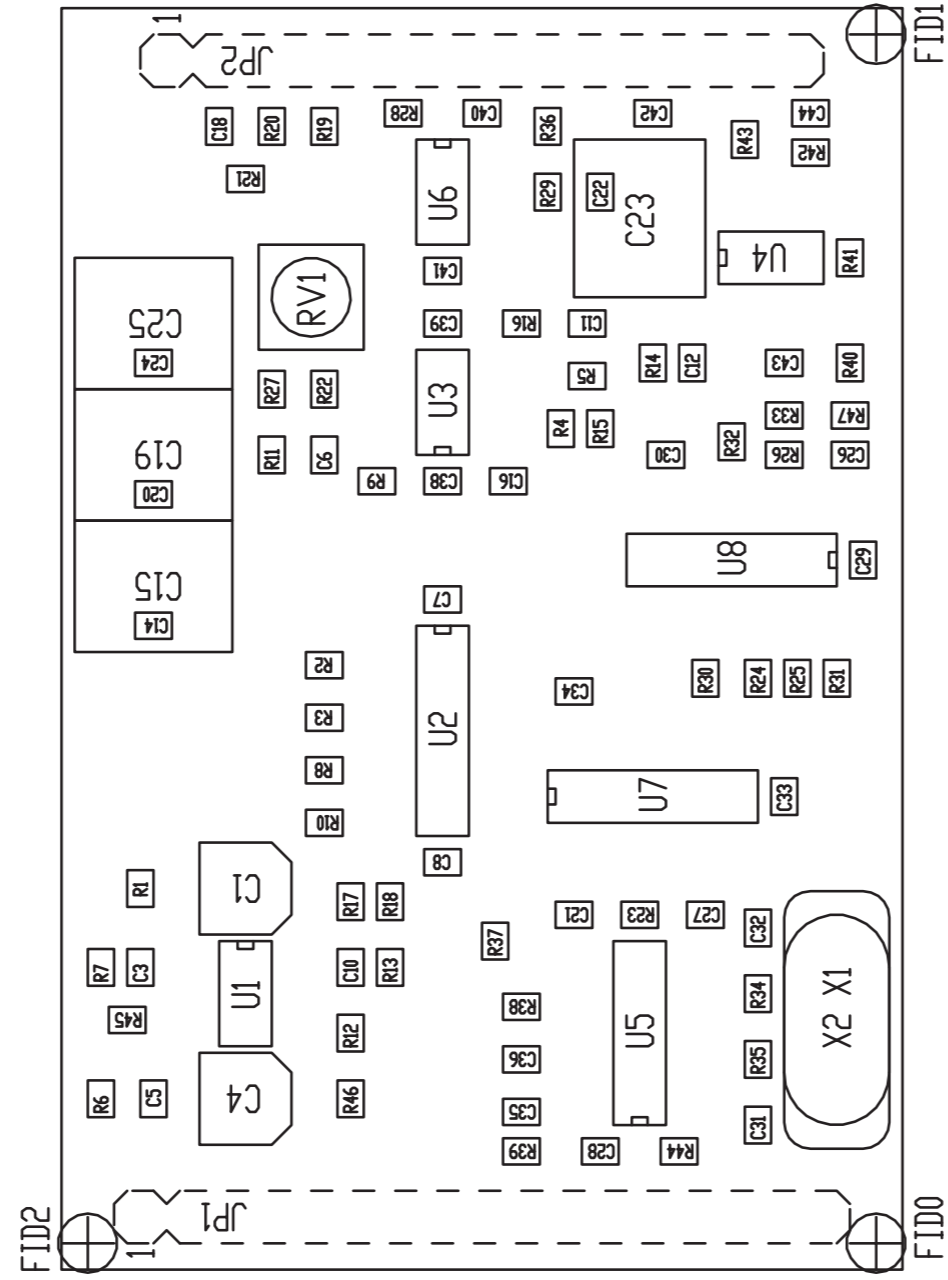
SLTLMTXLCD03

Telemetry board Revised: 02/08/10  
 SLTLMTXLCD03 Revision: 2.2  
 TEX-LCD/RXRL-LCD/PTRL-LCD  
 Andrea Tommasi

Item	Quantity	Reference	Part	Description
1	1	CN1	DB15FSO	Connettore DB15 femm. cs 90°
2	1	CN2	BNC_IS90	Connettore BNC metallico 90°
3	1	CS1	CSTLMTXLCD03	Circuito stampato
4	4	C1, C2, C3, C4	0.1uF	Cond. ceramico p 5mm
5	3	C5, C6, C14	1nF	Cond. ceramico p 5mm
6	2	C7, C8	100pF	Cond. ceramico p 5mm
7	6	C9, C10, C11, C12, C13, C15	10nF	Cond. ceramico p 5mm
8	4	D1, D2, D5, D6	1N4148	Diode in vetro DO35
9	2	D3, D4	BAT83	Diode Hot carrier DO35
10	1	JP1	CN16PD	Connettore 16 poli Flat cs
11	1	JP2	STM03S	Strip maschio 3 pin
12	1	JP3	STM05S	Strip maschio 5 pin
13	2	JP4, JP5	JUM	Ponticello Jumper
14	2	RV1, RV2	20K	Trimmer Rg H 3006
15	2	RY2, RY1	RLTQ2A_12V	Rele' TQ2
15	2	R1, R2	150	Res. 1/4W

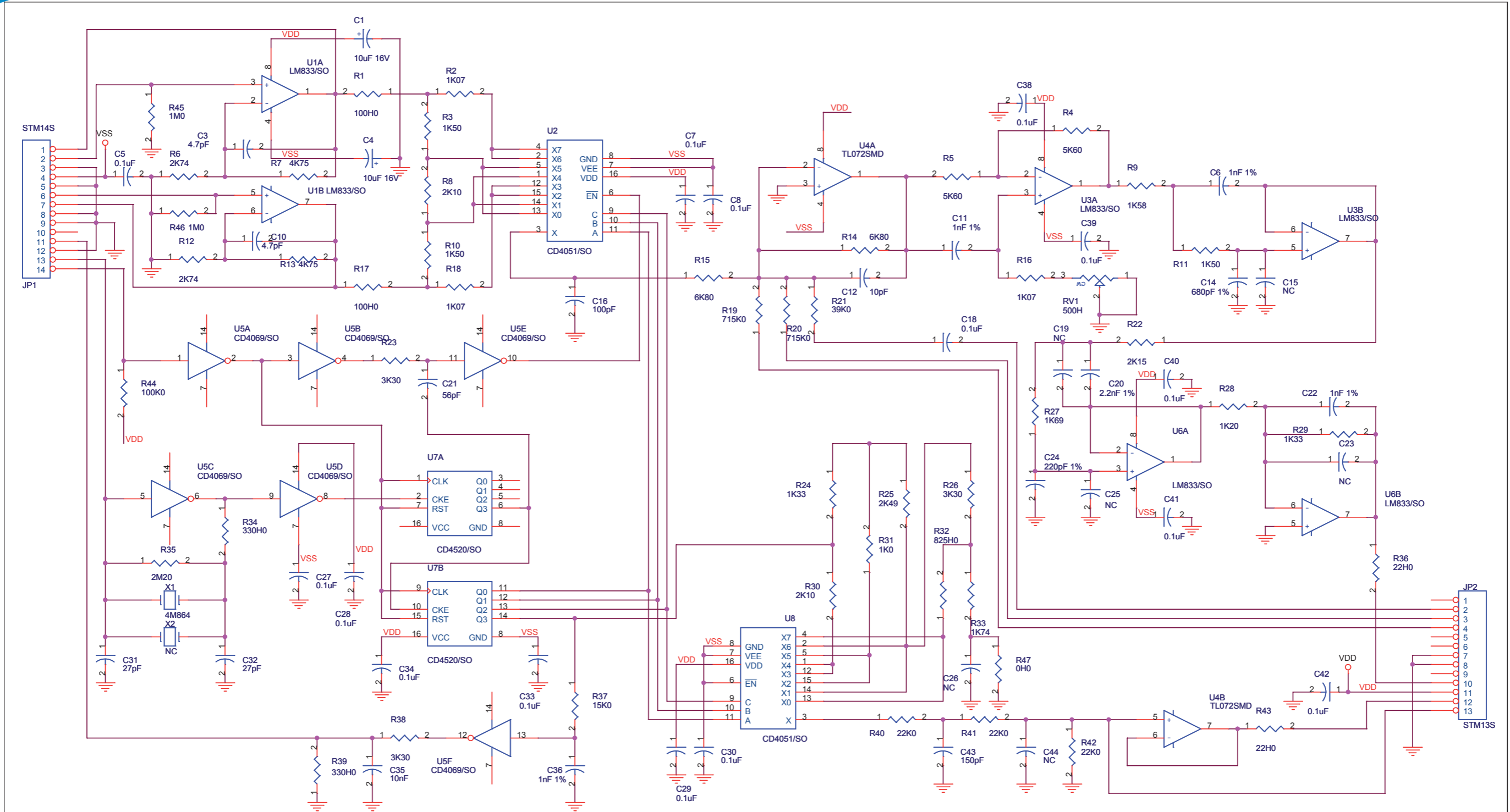


SLCTC30V03



NOME PROGETTO: PTX-LCD	NOME PARTE: CODER CARD
AUTORE: A. TOMMASI	DATA: 08/04/2004
ARCHIVIAZIONE ELETTRONICA: \VRUTY	REVISIONE: 1.0
MATERIALE:	SCALA: 2:1
TRATTAMENTO:	SIZE: A4
PROFILO:	PAGINA: 1 DI 1
STATO: ESECUTIVO	CODICE PROGETTO: 011
	CODICE DISEGNO: SLCTC30V03

SLCTC30V03



CS1  
CSCTC30V03

Description: Coder Card		
Designer: A. Tommasi	Size: A3	Page: 1 of 1
Part No.: SLCTC30V03	Rev. 1.2	Date: 26/01/2015



SLCTC30V03

Coder Card Revised: 26/01/2015  
 SLCTC30V03 Revision: 1.2  
 A. Tommasi

Item	Q.ty	Reference	Part	Description
1	1	CS1	CSCTC30V03	Circuito stampato
2	2	C1, C4	10uF 16V	Cond. Elett. SMD d. 4mm
3	2	C3, C10	4.7pF	Cond. SMD 0805
4	15	C5, C7, C8, C18, C27, C28, C29, C30, C33, C34, C38, C39, C40, C41, C42	0.1uF	Cond. SMD 0805
5	4	C6, C11, C22, C36	1nF 1%	Cond. SMD 0805 COG
6	1	C12	10pF	Cond. SMD 0805
7	1	C14	680pF 1%	Cond. SMD 0805 COG
8	4	C15, C19, C23, C25	NC	Cond. Poliestere p 5mm (5*7mm)
9	1	C16	100pF	Cond. SMD 0805
10	1	C20	2.2nF 1%	Cond. SMD 0805 COG
11	1	C21	56pF	Cond. SMD 0805
12	1	C24	220pF 1%	Cond. SMD 0805 COG
13	1	C26	NC	Cond. SMD 0805
14	2	C31, C32	27pF	Cond. SMD 0805
15	1	C35	10nF	Cond. SMD 0805
16	1	C43	150pF	Cond. SMD 0805
17	1	C44	NC	Cond. SMD 0805
18	1	JP1	STM14S	Strip maschio 14 pin
19	1	JP2	STM13S	Strip maschio 13 pin
20	1	RV1	500H	Trimmer SMD
21	2	R1, R17	100H0	Res. SMD 0805
22	3	R2, R16, R18	1K07	Res. SMD 0805
23	3	R3, R10, R11	1K50	Res. SMD 0805
24	2	R4, R5	5K60	Res. SMD 0805
25	2	R6, R12	2K74	Res. SMD 0805
26	2	R7, R13	4K75	Res. SMD 0805
27	2	R8, R30	2K10	Res. SMD 0805
28	1	R9	1K58	Res. SMD 0805
29	2	R14, R15	6K80	Res. SMD 0805
30	2	R19, R20	715K0	Res. SMD 0805
31	1	R21	39K0	Res. SMD 0805
32	1	R22	2K15	Res. SMD 0805
33	3	R23, R26, R38	3K30	Res. SMD 0805
34	2	R24, R29	1K33	Res. SMD 0805
35	1	R25	2K49	Res. SMD 0805
36	1	R27	1K69	Res. SMD 0805
37	1	R28	1K20	Res. SMD 0805
38	1	R31	1K0	Res. SMD 0805
39	1	R32	825H0	Res. SMD 0805
40	1	R33	1K74	Res. SMD 0805
41	2	R34, R39	330H0	Res. SMD 0805
42	1	R35	2M20	Res. SMD 0805
43	2	R36, R43	22H0	Res. SMD 0805
44	1	R37	15K0	Res. SMD 0805
45	3	R40, R41, R42	22K0	Res. SMD 0805
46	1	R44	100K0	Res. SMD 0805
47	2	R45, R46	1M0	Res. SMD 0805
48	1	R47	0H0	Res. SMD 0805
49	3	U1, U3, U6	LM833/SO	Dual Op. SMD SO8
50	2	U2, U8	CD4051/SO	Analog Switch SMD SO16
51	1	U4	TL072SMD	Dual Op. SMD SO8
52	1	U5	CD4069/SO	Hex inverter SO14
53	1	U7	CD4520/SO	Dual binary counter
54	1	X1	4M864	Quarzo SMD HC49SMD
55	1	X2	NC	Quarzo HC18