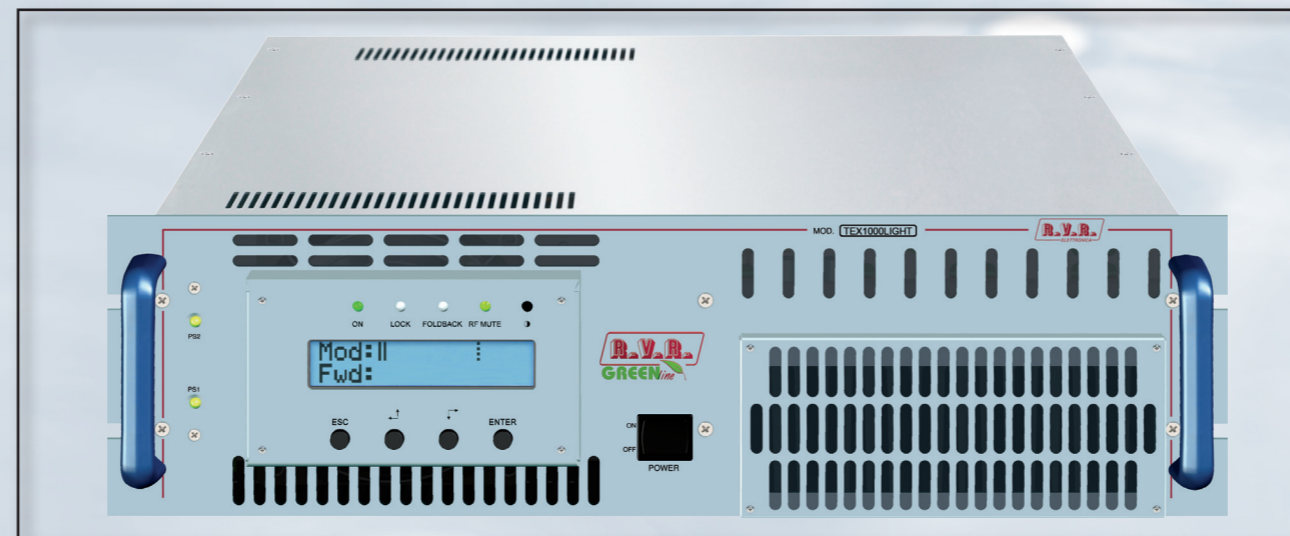




TEX1000LIGHT

TECHNICAL ANNEX
VOLUME 2



Appendix A Piani di montaggio, schemi elettrici, liste componenti / Component layouts, schematics, bills of material

Questa parte del manuale contiene i dettagli tecnici riguardanti la costruzione delle singole schede componenti il TEX1000LIGHT. L'appendice è composta dalle seguenti sezioni:

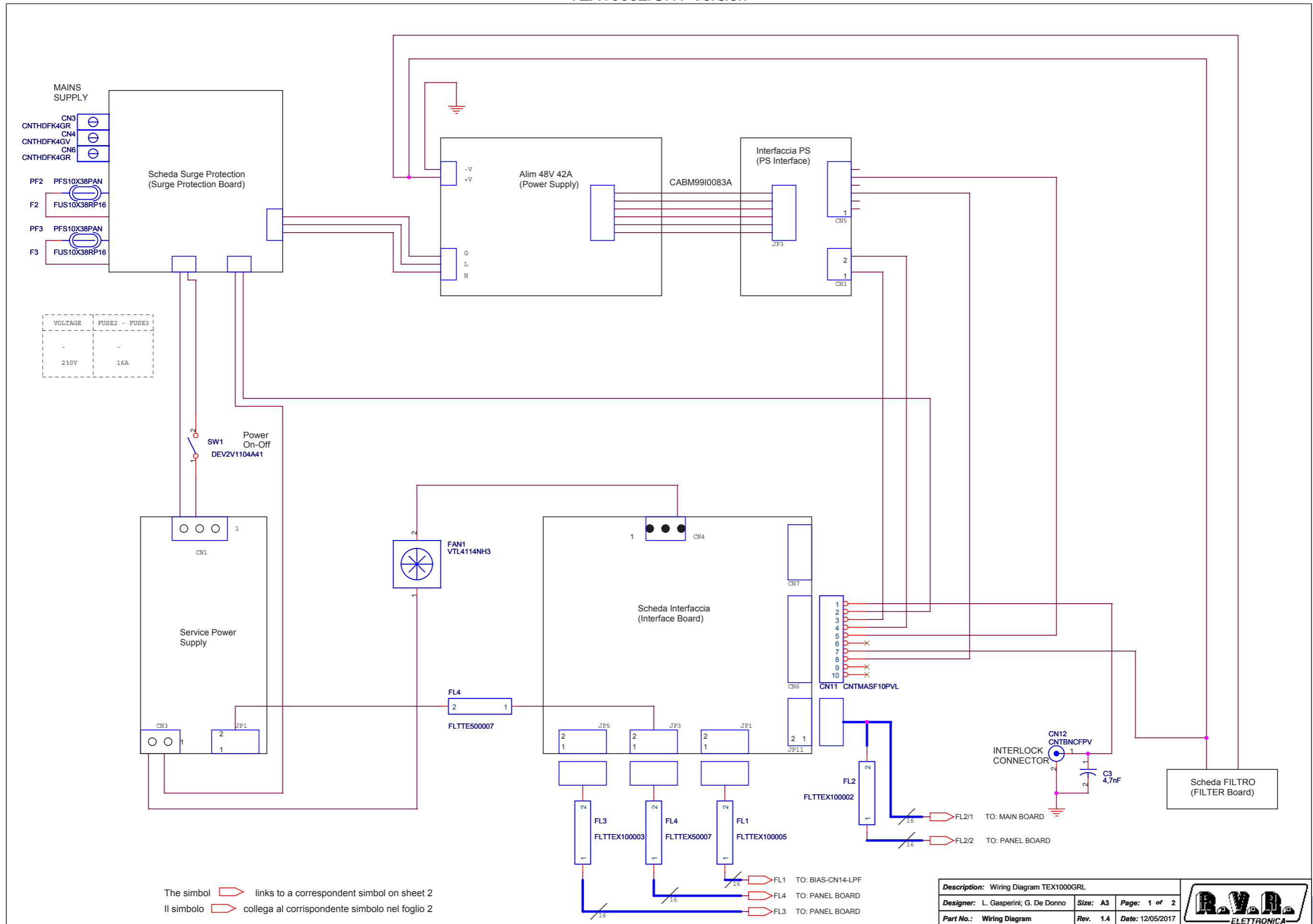
This part of the manual contains the technical details about the different Cards of the TEX1000LIGHT. This appendix is composed of the following sections:

Description	TEX1000LIGHT RVR Code	Vers.	Page
Wiring Diagram	TEX1000LIGHT Version	1.4	1
Main Board	SLMA0383R01V01	1.6	4
Driver Card	SLDR0271R03V01	1.0	9
Splitter Card	SLSITEX500L1	1.0	12
R.F. Card	SL237RF1001	1.5	14
Combiner Card	SLCM0374R01V01	1.0	17
LPF Card	SLLPFTEX2K5	1.2	19
Surge Protection Card	SLSRGPRPJ1KM	1.2	22
Power Supply Interfa	SLIN0396R01V01	1.1	25
Power Supply	PSSWRSP2000-48	1.0	27
Auxiliary Power Supply	PSL2405	1.0	30
Filter PS Card	SL176FI1001	1.1	33
Fuse Card	SLFUSTEX1K6LG	1.2	35
Panel Card	SLPC0436R01V03	1.4	37
BIAS Card	SLBIASTEX2K	1.5	40
Interface Card	SL010IN5003	1.7	44
Pass Through Card	SLFILPJ1KM	2.1	47
Thermal Probe Card	SL024MT1001	1.0	49
Directional Coupler Card	SLDC0375R01V01	1.1	51
Telemetry Card	SLTLMTXLCD03	2.2	53
Stereo Coder Card	SLCTC30V03	1.2	55

Document History

Date	Version	Reason	Code	Editor
07/08/2017	1.0	First Release	/	J.H. Berti

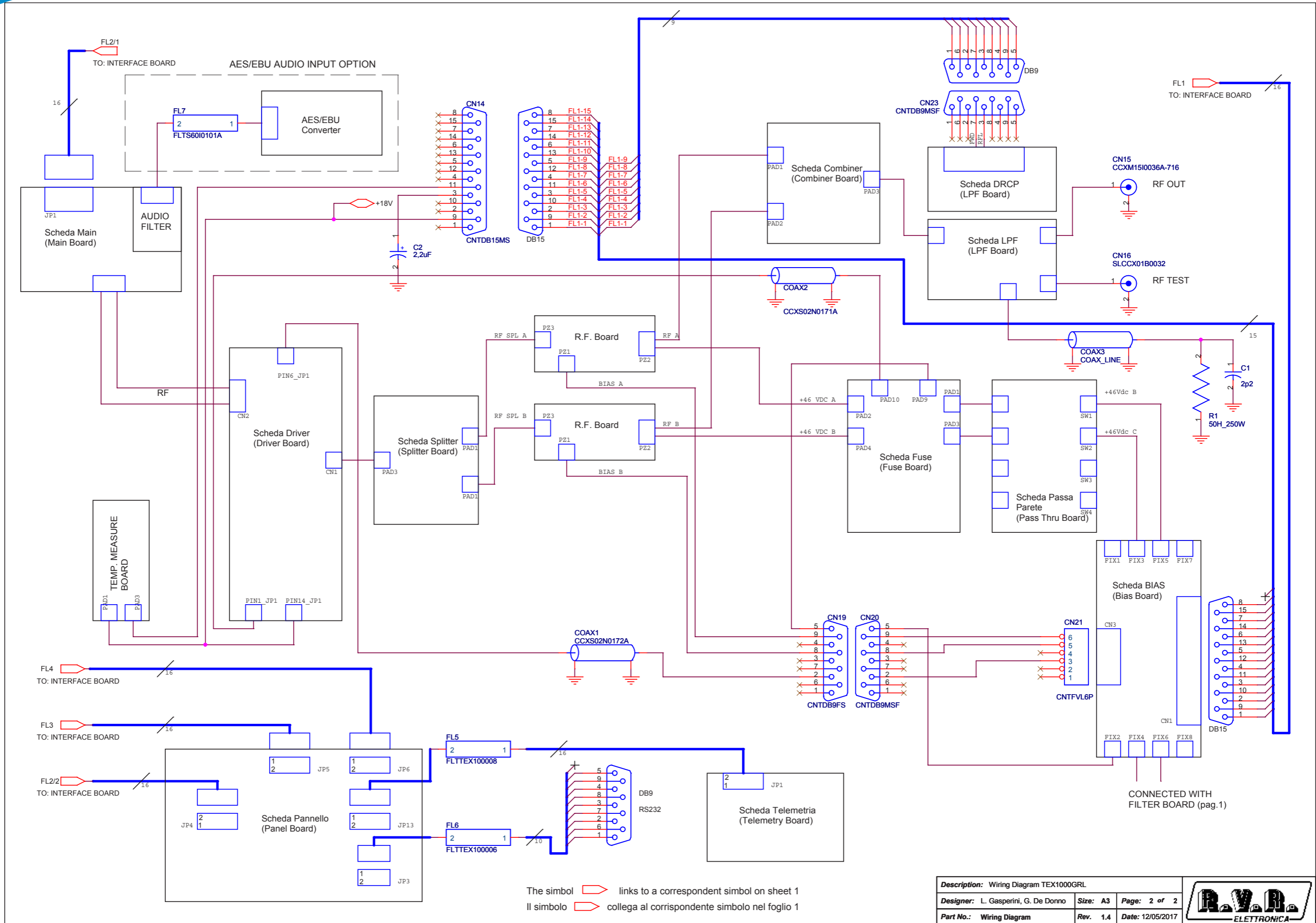
TEX1000LIGHT Version



Description: Wiring Diagram TEX1000GRL		
Designer: L. Gasperini; G. De Donno	Size: A3	Page: 1 of 2
Part No.: Wiring Diagram	Rev.: 1.4	Date: 12/05/2017



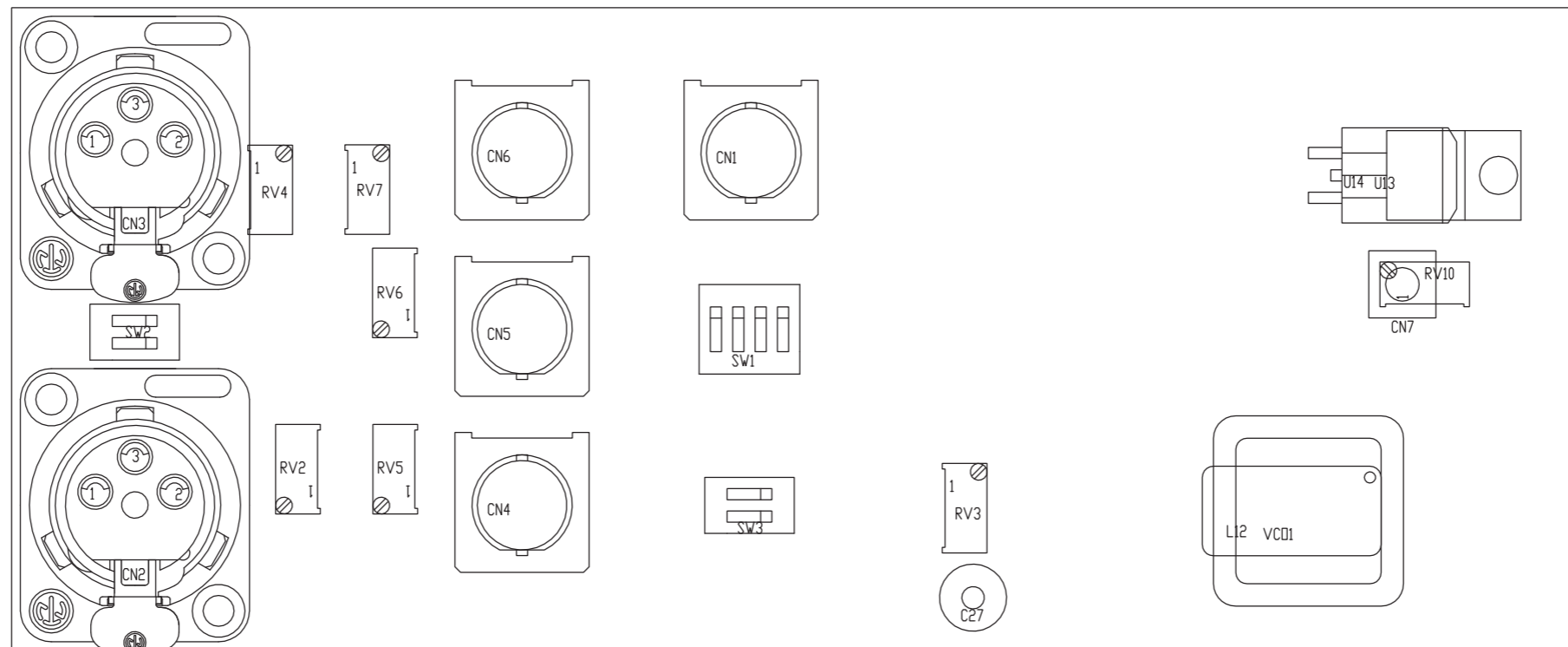
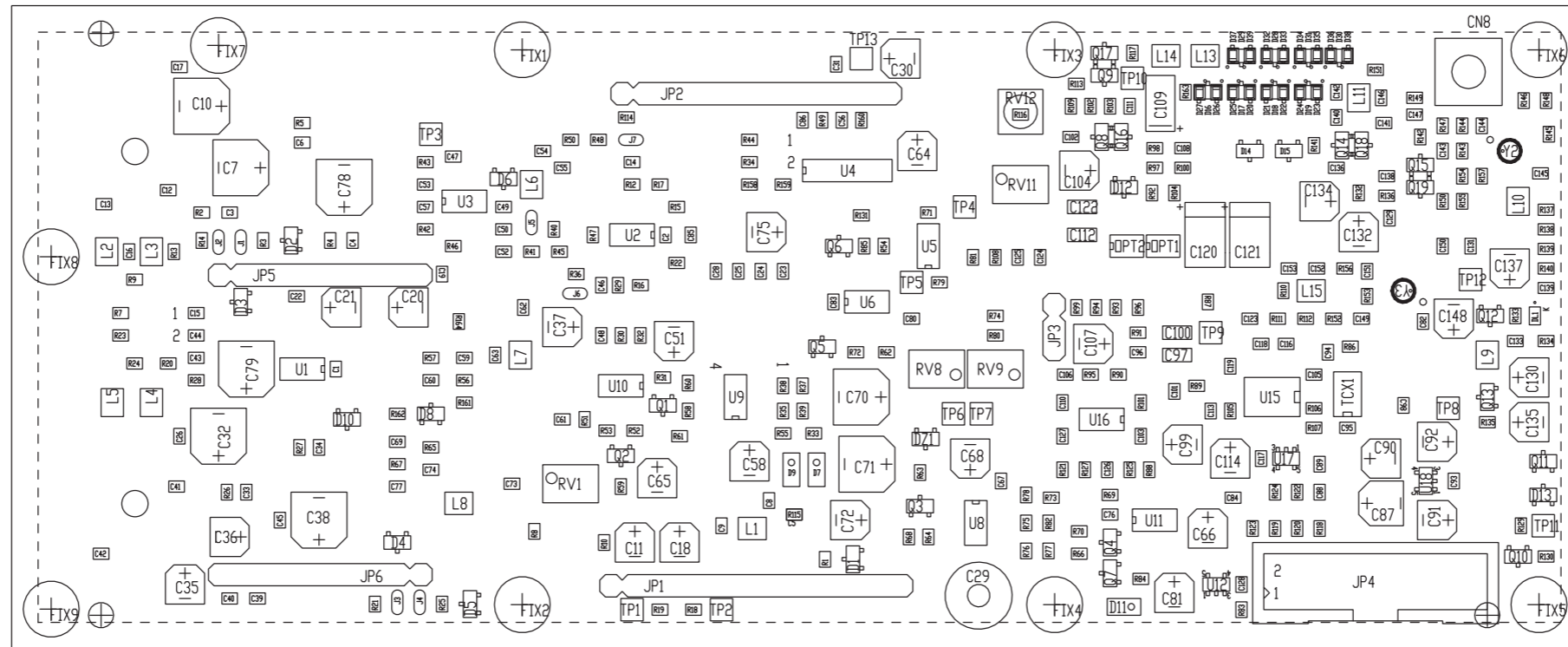
TEX1000LIGHT Version



The simbol links to a correspondent simbol on sheet 1
 Il simbolo collega al corrispondente simbolo nel foglio 1

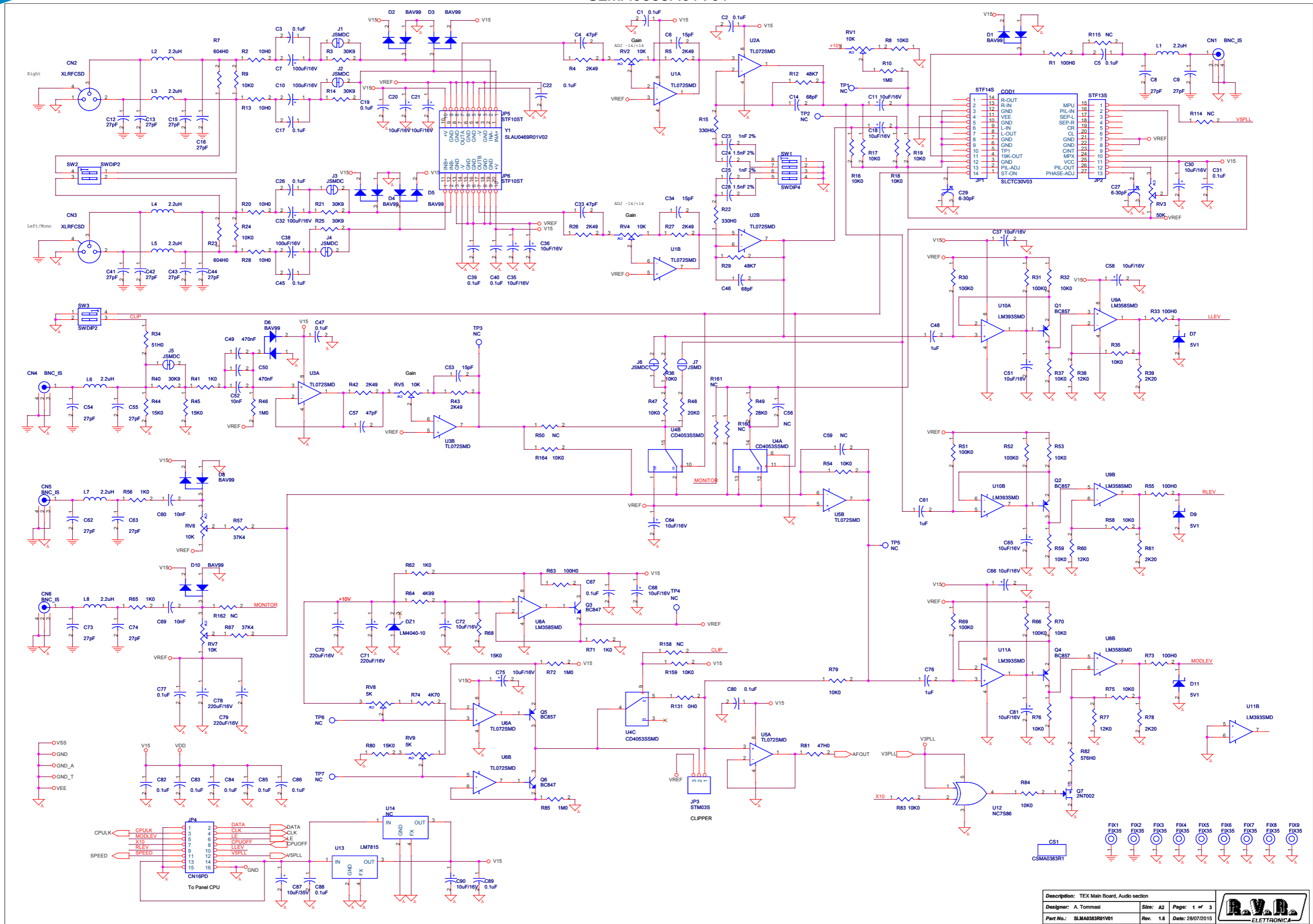
Description: Wiring Diagram TEX1000GRL			
Designer: L. Gasperini, G. De Donno	Size: A3	Page: 2 of 2	
Part No.: Wiring Diagram	Rev.: 1.4	Date: 12/05/2017	





PRODUCT NAME : TEX-LCD	PART NAME : MAIN CARD
DESIGNER : A. TOMMASI	DATE : 07/09/15
ARCHIVING : "RVRUT" SERVER, "RILASCIATI" FOLDER	REVISION : 1.0
	SCALE : 1:1
	SIZE : A4
	PAGE : 1 DI 1
	DOCUMENT CODE : SLMA0383R01V01
	PROJECT CODE : <

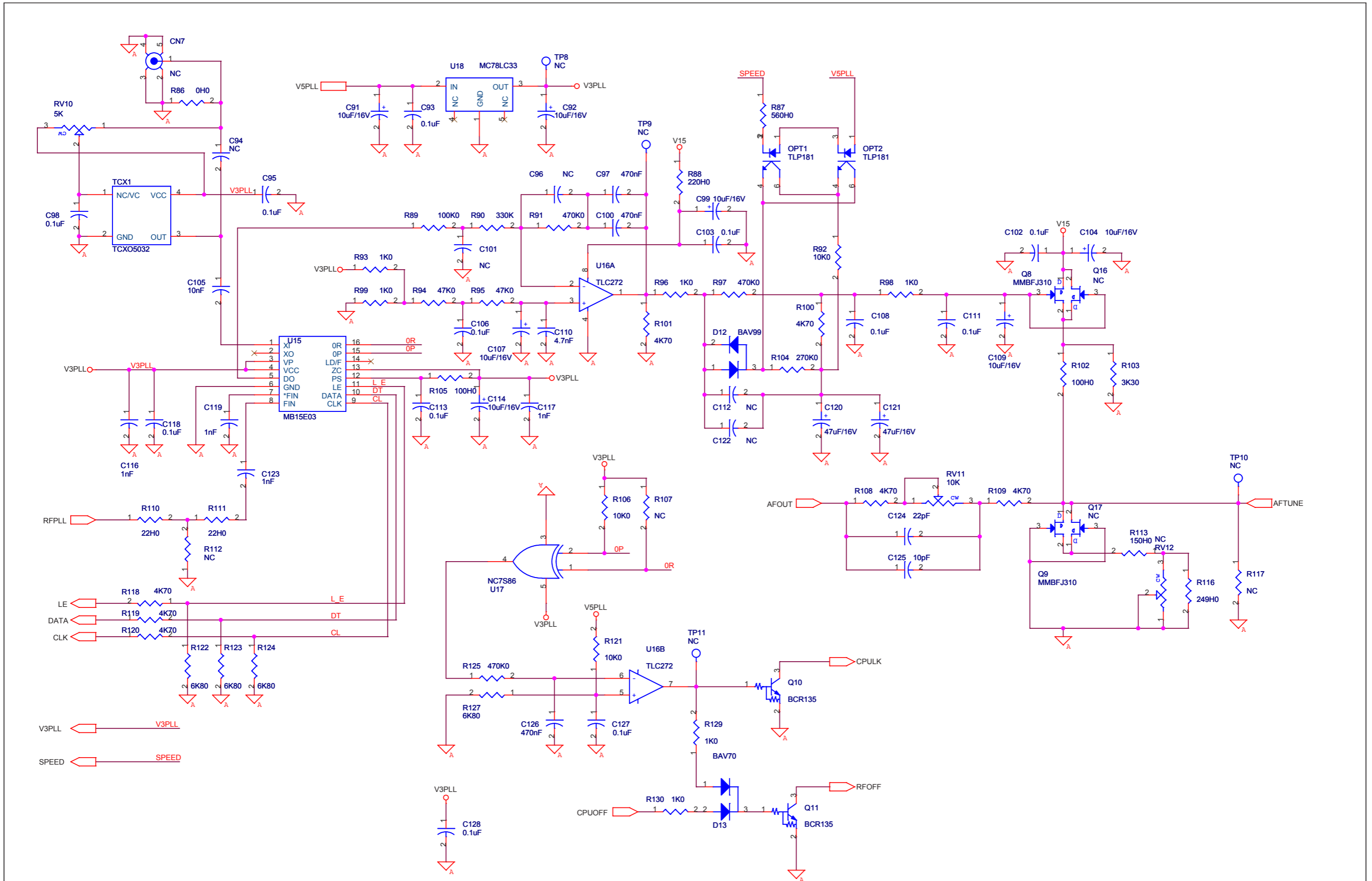
SLMA0383R01V01



Description: TEX Main Board, Audio section		
Designer: A. Tommasi	Size: A2	Page: 1 of 3
Part No.: SLMA0383R01V01	Rev. 1.8	Date: 28/07/2015

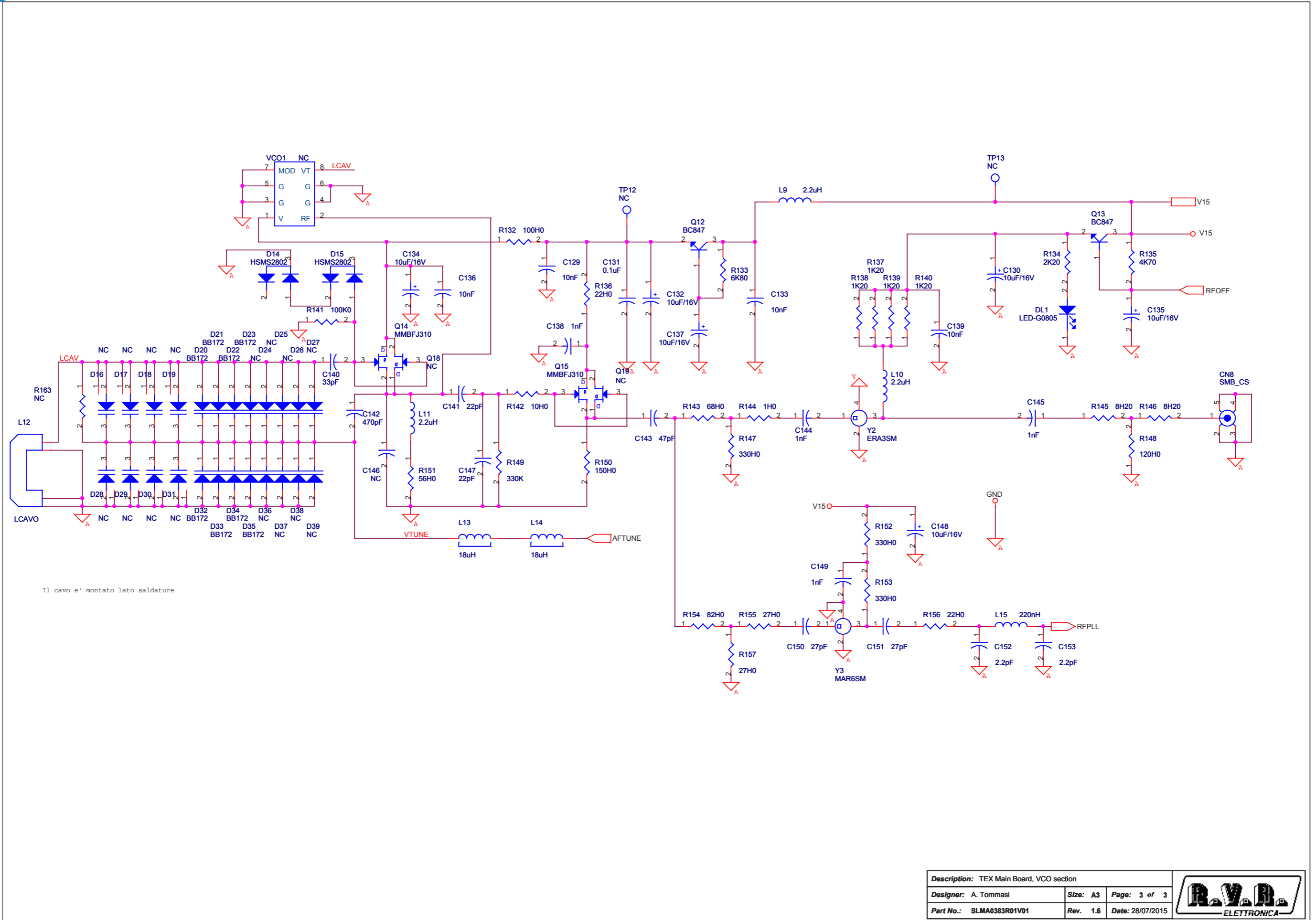


SLMA0383R01V01



Description: TEX Main Board, PLL section		
Designer: A. Tommasi	Size: A3	Page: 2 of 3
Part No.: SLMA0383R01V01	Rev. 1.6	Date: 28/07/2015





SLMA0383R01V01

TEX Main Board Revised: 28/07/2015
 SLMA0383R01V01 Revision: 1.6
 A. Tommasi
 TEX-LCD e derivati

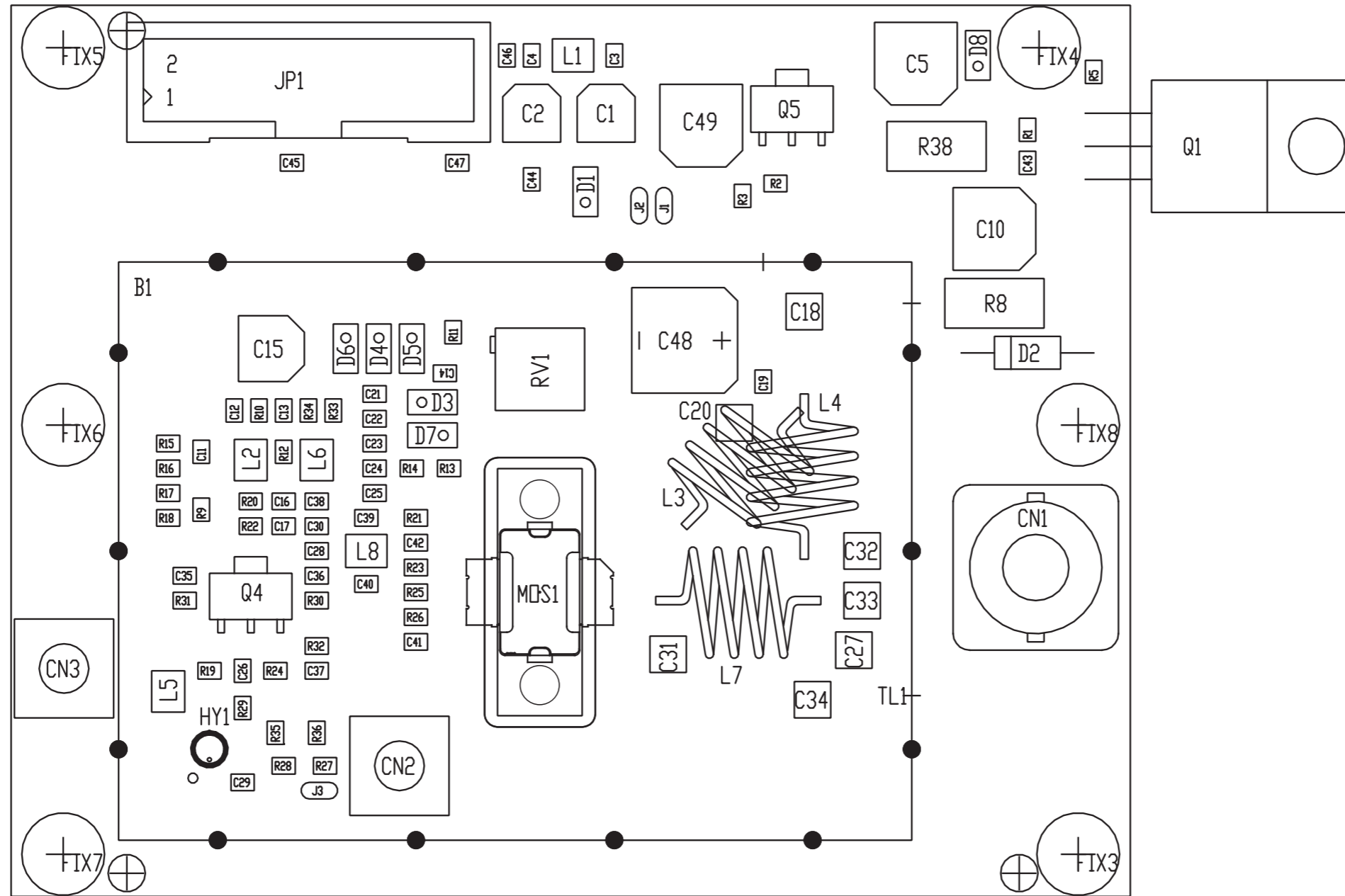
Item	Quantity	Reference	Part	Description
1	4	CN1,CN4,CN5,CN6	BNC_IS	Connettore BNC metallico
2	2	CN2,CN3	XLRFCSD	Connettore XLR femm. cs
3	1	CN7	NC	Connettore SMB cs
4	1	CN8	SMB_CS	Connettore SMB cs
5	1	COD1	SLCTC30V03	Coder stereo CTC30
6	1	CS1	CSMA0383R1	Circuito stampato
7	36	C1,C2,C3,C5,C17,C19,C22,C26,C31,C39,C40,C45,C47,C67,C77,C80,C82,C83,C84,C85,C86,C88,C89,C93,C95,C98,C102,C103,C106,C108,C111,C113,C118,C127,C128,C131	0.1uF	Cond. SMD 0805
8	4	C4,C33,C57,C143	47pF	Cond. SMD 0805
9	3	C6,C34,C53	15pF	Cond. SMD 0805
10	4	C7,C10,C32,C38	100uF/16V	Cond. Elett. SMD d. 6.3mm
11	18	C8,C9,C12,C13,C15,C16,C41,C42,C43,C44,C54,C55,C62,C63,C73,C74,C150,C151	27pF	Cond. SMD 0805
12	30	C11,C18,C20,C21,C30,C35,C36,C37,C51,C58,C64,C65,C66,C68,C72,C75,C81,C90,C91,C92,C99,C104,C107,C114,C130,C132,C134,C135,C137,C148	10uF/16V	Cond. Elett. SMD d. 4mm
13	2	C14,C46	68pF	Cond. SMD 0805
14	2	C23,C25	1nF 2%	Cond. SMD 0805 COG
15	2	C24,C28	1.5nF 2%	Cond. SMD 0805 COG
16	2	C27,C29	6-30pF	Comp. ceramico dia. 7mm
17	3	C48,C61,C76	1uF	Cond. SMD 0805
18	3	C49,C50,C126	470nF	Cond. SMD 0805
19	8	C52,C60,C69,C105,C129,C133,C136,C139	10nF	Cond. SMD 0805
20	6	C56,C59,C94,C96,C101,C146	NC	Cond. SMD 0805
21	4	C70,C71,C78,C79	220uF/16V	Cond. Elett. SMD d. 6.3mm
22	1	C87	10uF/35V	Cond. Elett. SMD d. 5mm
23	2	C97,C100	470nF	Cond. SMD 1206
24	1	C109	10uF/16V	Cond. Elett. SMD tant. size C
25	1	C110	4.7nF	Cond. SMD 0805
26	2	C112,C122	NC	Cond. SMD 1206
27	8	C116,C117,C119,C123,C138,C144,C145,C149	1nF	Cond. SMD 0805
28	2	C120,C121	47uF/16V	Cond. Elett. SMD tant. size D
29	3	C124,C141,C147	22pF	Cond. SMD 0805

30	1	C125	10pF	Cond. SMD 0805
31	1	C140	33pF	Cond. SMD 0805
32	1	C142	470pF	Cond. SMD 0805
33	2	C152,C153	2.2pF	Cond. SMD 0805
34	1	DL1	LED-G0805	LED Verde SMD 0805
35	1	DZ1	LM4040-10	Diodi Zener SMD SOT23
36	9	D1,D2,D3,D4,D5,D6,D8,D10,D12	BAV99	Doppio Diode SMD SOT23
37	3	D7,D9,D11	5V1	MINIMELF SMD Zener Diode
38	1	D13	BAV70	Doppio Diode SMD SOT23
39	2	D14,D15	HSMS2802	Doppio Diode SMD SOT23
40	8	D16,D17,D18,D19,D28,D29,D30,D31	NC	Diode Varicap SMD SOT23
41	8	D20,D21,D22,D23,D32,D33,D34,D35	BB172	Diode varicap SOD323
42	8	D24,D25,D26,D27,D36,D37,D38,D39	NC	Diode varicap SOD323
43	9	FIX1,FIX2,FIX3,FIX4,FIX5,FIX6,FIX7,FIX8,FIX9	FIX35	Foro fissaggio 3.5mm
44	1	JP1	STF14S	Strip femmina 14 pin
45	1	JP2	STF13S	Strip femmina 13 pin
46	1	JP3	STM03S	Strip maschio 3 pin
47	1	JP4	CN16PD	Conn.M.C.S.Dritto 16P alette.
48	2	JP5,JP6	STF10ST	Strip femmina 10 pin tornita
49	6	J1,J2,J3,J4,J5,J6	JSMDC	Pad SMD a saldare chiuso
50	1	J7	JSMD	Pad SMD a saldare
51	11	L1,L2,L3,L4,L5,L6,L7,L8,L9,L10,L11	2.2uH	Induttanza SMD 3225 (1210)
52	1	L12	LCAVO	Induttanza a cavo RG
53	2	L13,L14	18uH	Induttanza SMD 3225 (1210) Schermata
54	1	L15	220nH	Induttanza SMD 3225 (1210)
55	2	OPT1,OPT2	TLP181	Optoisolatore SMD SO6
56	4	Q1,Q2,Q4,Q5	BC857	Trans. PNP SOT23
57	4	Q3,Q6,Q12,Q13	BC847	Trans. NPN SOT23
58	1	Q7	2N7002	Trans. FET SOT23
59	4	Q8,Q9,Q14,Q15	MMBFJ310	Trans. FET SOT23
60	2	Q10,Q11	BCR135	Trans./Res. NPN SOT23
61	4	Q16,Q17,Q18,Q19	NC	Trans. FET SOT23
62	2	RV1,RV11	10K	Trimmer Rg V 3269W SMD
63	5	RV2,RV4,RV5,RV6,RV7	10K	Trimmer Rg V 3296W
64	1	RV3	50K	Trimmer Rg V 3296W
65	2	RV8,RV9	5K	Trimmer Rg V 3269W SMD
66	1	RV10	5K	Trimmer Rg V 3296W
67	1	RV12	NC	Trimmer SMD
68	8	R1,R33,R55,R63,R73,R102,R105,R132	100H0	Res. SMD 0805
69	5	R2,R13,R20,R28,R142	10H0	Res. SMD 0805
70	5	R3,R14,R21,R25,R40	30K9	Res. SMD 0805
71	6	R4,R5,R26,R27,R42,R43	2K49	Res. SMD 0805
72	2	R7,R23	604H0	Res. SMD 0805
73	27	R8,R9,R16,R17,R18,R19,R24,R32,R35,R36,R37,R47,R53,R54,R58,R59,R70,R75,	10K0	Res. SMD 0805

SLMA0383R01V01

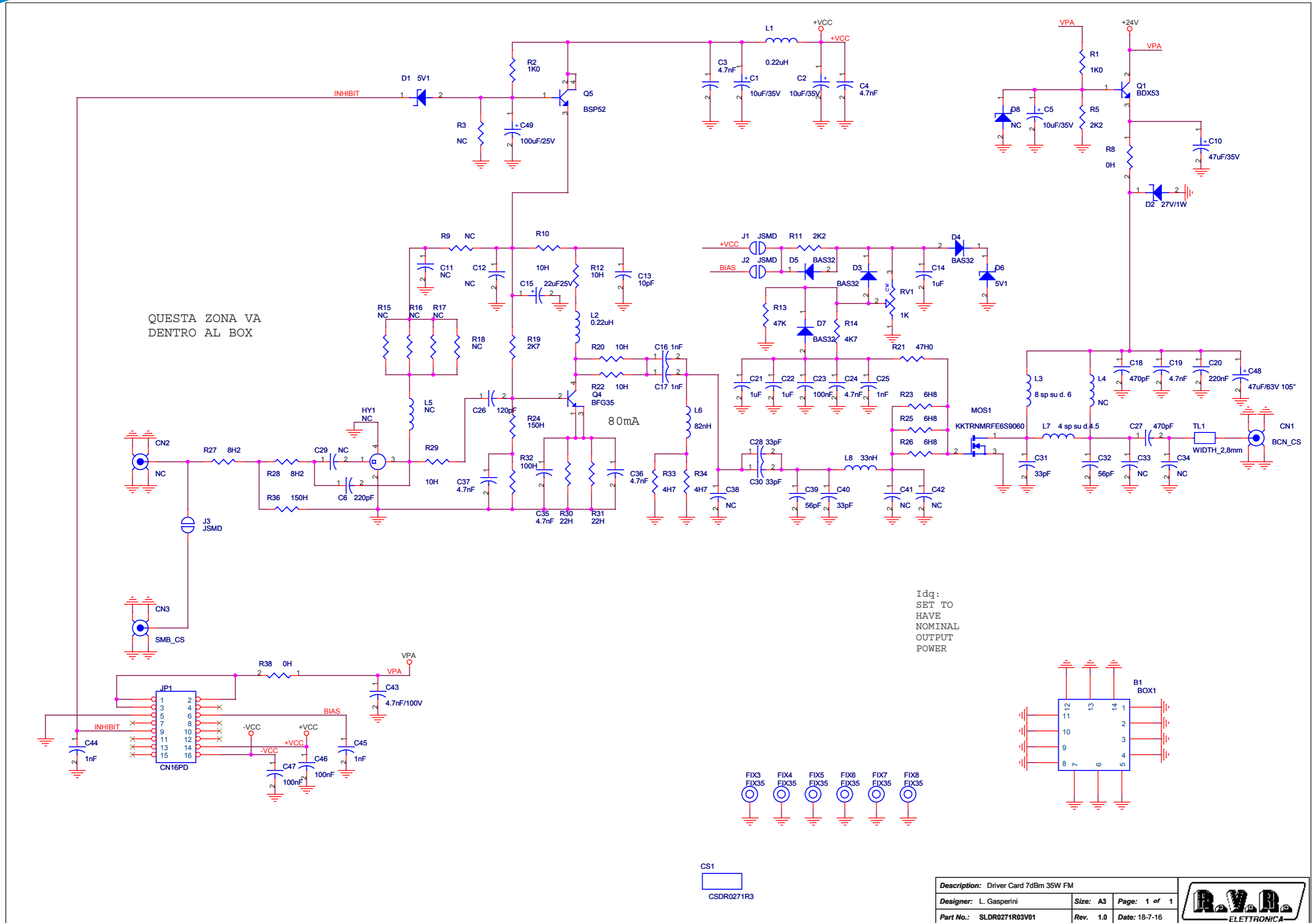
	R76,R79,R83,R84,R92,R106, R121,R159,R164		
74	4 R10,R46,R72,R85	1M0	Res. SMD 0805
75	2 R12,R29	48K7	Res. SMD 0805
76	5 R15,R22,R147,R152,R153	330H0	Res. SMD 0805
77	8 R30,R31,R51,R52,R66,R69, R89,R141	100K0	Res. SMD 0805
78	1 R34	51H0	Res. SMD 0805
79	3 R38,R60,R77	12K0	Res. SMD 0805
80	4 R39,R61,R78,R134	2K20	Res. SMD 0805
81	11 R41,R56,R62,R65,R71,R93, R96,R98,R99,R129,R130	1K0	Res. SMD 0805
82	4 R44,R45,R68,R80	15K0	Res. SMD 0805
83	1 R48	20K0	Res. SMD 0805
84	1 R49	28K0	Res. SMD 0805
85	12 R50,R107,R114,R115,R116, R117,R158,R160,R161,R162, R163,R112	NC	Res. SMD 0805
86	2 R57,R67	37K4	Res. SMD 0805
87	1 R64	4K99	Res. SMD 0805
88	9 R74,R100,R101,R108,R109, R118,R119,R120,R135	4K70	Res. SMD 0805
89	1 R81	47H0	Res. SMD 0805
90	1 R82	576H0	Res. SMD 0805
91	2 R86,R131	0H0	Res. SMD 0805
92	1 R87	560H0	Res. SMD 0805
93	1 R88	220H0	Res. SMD 0805
94	2 R90,R149	330K	Res. SMD 0805
95	3 R91,R97,R125	470K0	Res. SMD 0805
96	2 R94,R95	47K0	Res. SMD 0805
97	1 R103	3K30	Res. SMD 0805
98	1 R104	270K0	Res. SMD 0805
99	4 R110,R111,R136,R156	22H0	Res. SMD 0805
100	2 R113,R150	150H0	Res. SMD 0805
101	1 R116	249H0	Res. SMD 0805
102	5 R122,R123,R124,R127,R133	6K80	Res. SMD 0805
103	4 R137,R138,R139,R140	1K20	Res. SMD 0805
104	1 R143	68H0	Res. SMD 0805
105	1 R144	1H0	Res. SMD 0805
106	2 R145,R146	8H20	Res. SMD 0805
107	1 R148	120H0	Res. SMD 0805
108	1 R151	56H0	Res. SMD 0805
109	1 R154	82H0	Res. SMD 0805
110	2 R155,R157	27H0	Res. SMD 0805
111	1 SW1	SWDIP4	Dip switch 4 vie
112	2 SW2,SW3	SWDIP2	Dip switch 2 vie
113	1 TCX1	TCXO5032	TCXO SMD 5x3.2mm
114	13 TP1,TP2,TP3,TP4,TP5,TP6, TP7,TP8,TP9,TP10,TP11, TP12,TP13	NC	Test point
115	5 U1,U2,U3,U5,U6	TL072SMD	Dual Op. SMD SO8
116	1 U4	CD4053SSMD	Analog Switch SMD SO16
117	2 U8,U9	LM358SMD	Dual Op. SMD SO8

118	2 U10,U11	LM393SMD	Dual Comp. SMD SO8
119	2 U12,U17	NC7S86	XOR Port
120	1 U13	LM7815	Stabilizzatore TO220
121	1 U14	NC	Stabilizzatore SMD D2PAK
122	1 U15	MB15E03	Integrated PLL
123	1 U16	TLC272	Dual Op. SMD SO8
124	1 U18	MC78LC33	Stab. SMD SOT23-5
125	1 VCO1	NC	VCO SKY 8 pin FVC7MD
126	1 Y1	SLAU0469R01V02	Filtro Audio Stereo
127	1 Y2	ERA3SM	Ibrido MAR/ERA
128	1 Y3	MAR6SM	Ibrido MAR/ERA



NOME PROGETTO: TEX1002LCD	NOME PARTE: SCHEDA DRIVER 15W
AUTORE: L. GASPERINI	DATA: 13/03/2015 REVISIONE: 1.2 SCALA: 2:1 SIZE: A4 PAGINA: 1 DI 1
ARCHIVIAZIONE ELETTRONICA: "RILASCIATI" SU "RVRUT"	CODICE PROGETTO: 241
MATERIALE: <	CODICE DISEGNO: SLDR0271R01V01
TRATTAMENTO: <	PROFILO: <
	STATO: ESECUTIVO

SLDR0271R03V01



Description: Driver Card 7dBm 35W FM		
Designer: L. Gasperini	Size: A3	Page: 1 of 1
Part No.: SLDR0271R03V01	Rev. 1.0	Date: 18-7-16

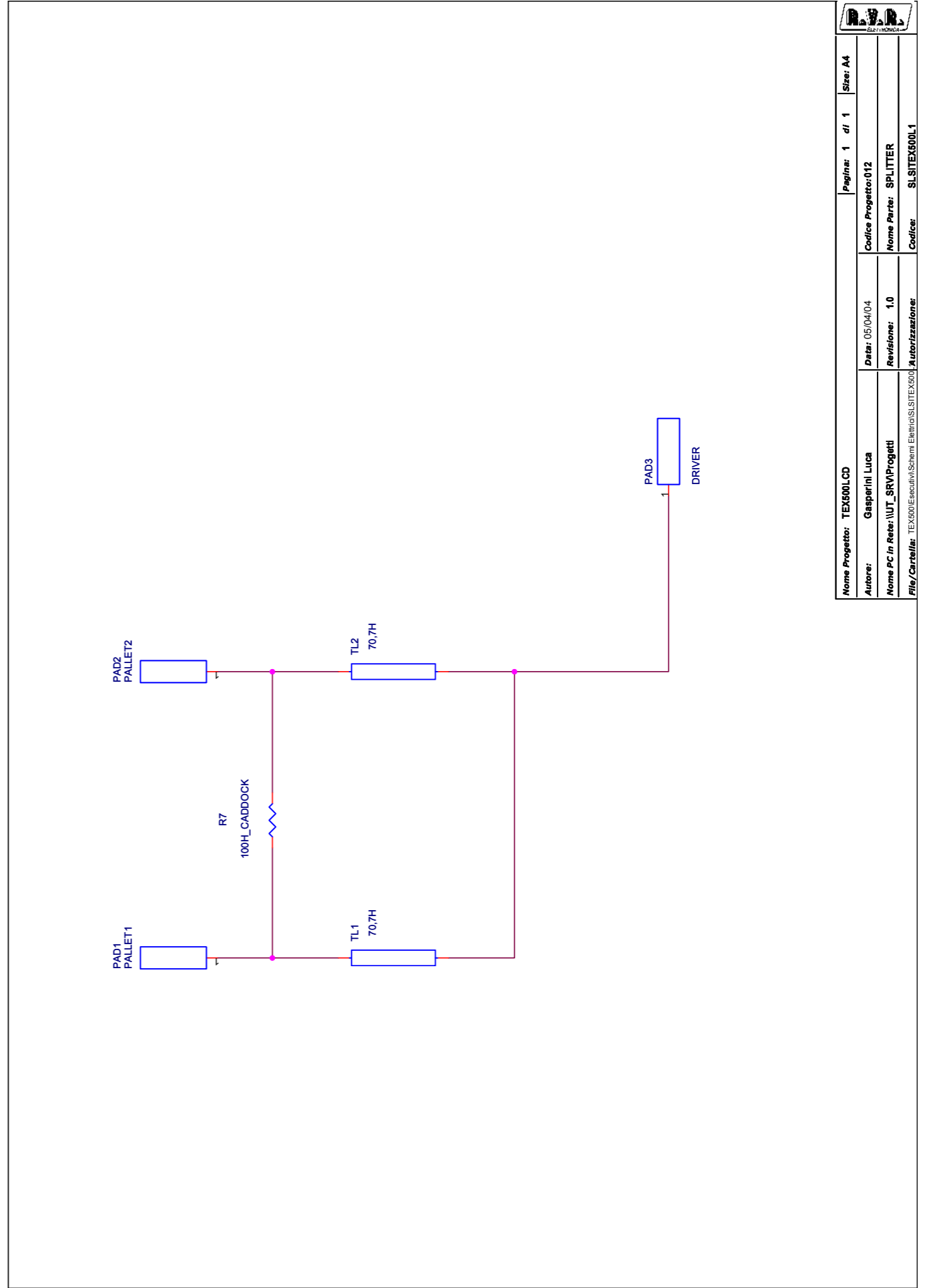
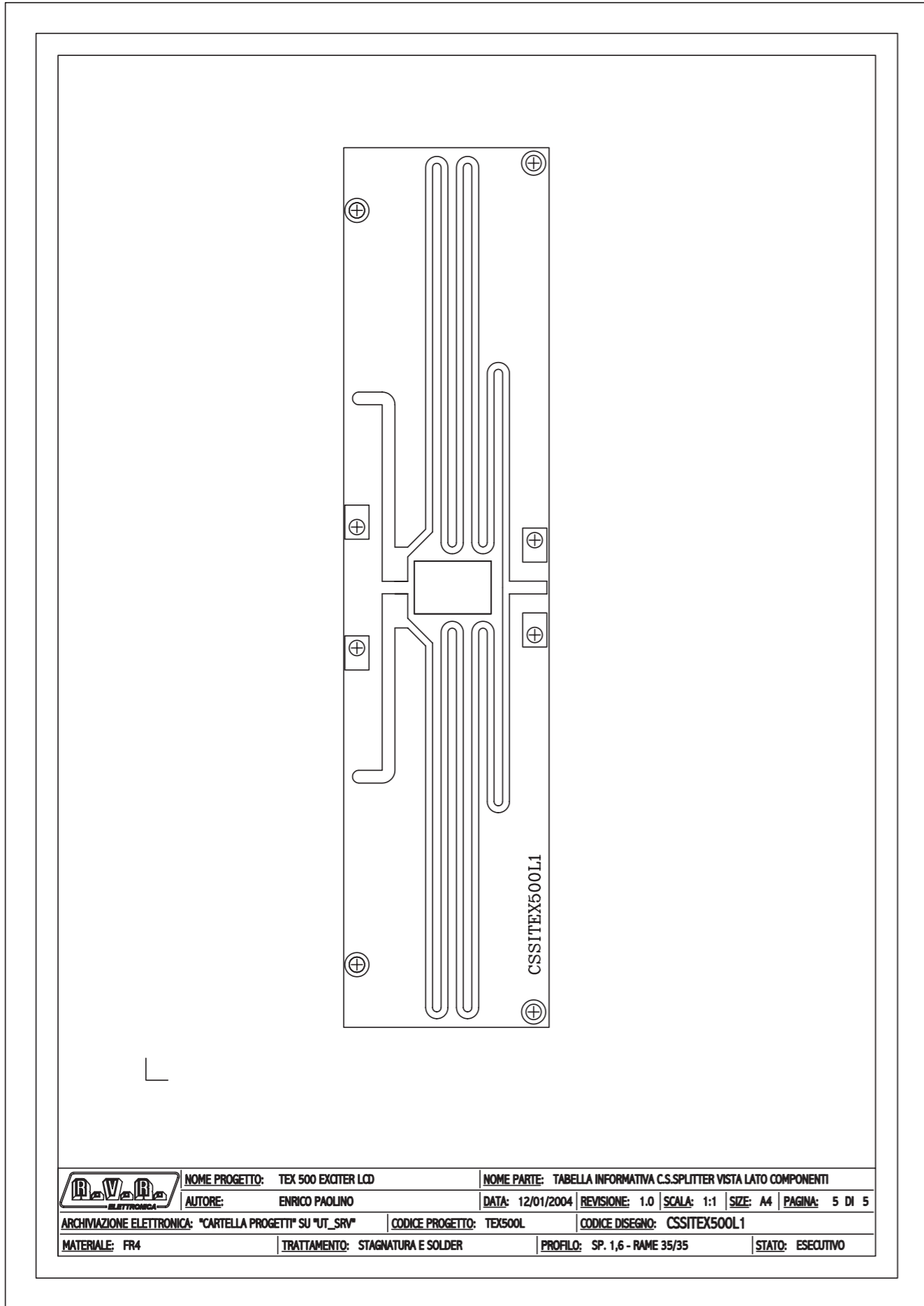


SLDR0271R03V01

Driver Card 7dBm 35W FM Revised: 18-7-16
 SLDR0271R03V01 Revision: 1.0
 L. Gasperini

Item	Quantity	Reference	Part	{description}
1	1	B1	BOX1	
2	1	CN1	BCN_CS	Connettore BNC 10x10 cs
3	1	CN2	NC	Connettore SMB cs
4	1	CN3	SMB_CS	Connettore SMB cs
5	1	CS1	CSDR0271R3	Circuito stampato
6	2	C1, C2	10uF/35V	Cond. Elett. SMD d. 4mm
7	7	C3, C4, C19, C24, C35, C36, C37	4.7nF	Cond. SMD 0805
8	1	C5	10uF/35V	Cond. Elett. SMD d. 6.3mm
9	1	C6	220pF	Cond. SMD 0805
10	1	C10	47uF/35V	Cond. Elett. SMD d. 6.3mm
11	6	C11, C12, C29, C38, C41, C42	NC	Cond. SMD 0805
12	1	C13	10pF	Cond. SMD 0805
13	3	C14, C21, C22	1uF	Cond. SMD 0805
14	1	C15	22uF25V	Cond. Elett. SMD d. 5mm
15	5	C16, C17, C25, C44, C45	1nF	Cond. SMD 0805
16	2	C18, C27	470pF	Cond. SMD 1212 HQ
17	1	C20	220nF	Cond. SMD 1212
18	3	C23, C46, C47	100nF	Cond. SMD 0805
19	1	C26	120pF	Cond. SMD 0805
20	3	C28, C30, C40	33pF	Cond. SMD 0805
21	1	C31	33pF	Cond. SMD 1212 HQ
22	1	C32	56pF	Cond. SMD 1212 HQ
23	2	C33, C34	NC	Cond. SMD 1212 HQ
24	1	C39	56pF	Cond. SMD 0805
25	1	C43	4.7nF/100V	Cond. SMD 0805
26	1	C48	47uF/63V 105°	Cond. Elett. SMD d. 8mm
27	1	C49	100uF/25V	Cond. Elett. SMD d. 6.3mm
28	2	D1, D6	5V1	MINIMELF SMD Zener Diode
29	1	D2	27V/1W	1W Zener Diode
30	4	D3, D4, D5, D7	BAS32	MINIMELF SMD Diode
31	1	D8	NC	MINIMELF SMD Zener Diode
32	6	FIX3, FIX4, FIX5, FIX6, FIX7, FIX8	FIX35	Foro fissaggio 3.5mm
33	1	HY1	NC	Ibrido MAR/ERA
34	1	JP1	CN16PD	Conn.M.C.S.Dritto 16P alette
35	3	J1, J2, J3	JSMD	Pad SMD a saldare
36	2	L1, L2	0.22uH	Induttanza SMD 3225 (1210)
37	1	L3	8 sp su d. 6	Bobina avvolta in aria
38	1	L4	NC	Bobina avvolta in aria
39	1	L5	NC	Induttanza SMD 3225 (1210)
40	1	L6	82nH	Induttanza SMD 3225 (1210)
41	1	L7	4 sp su d.4.5	Bobina avvolta in aria
42	1	L8	33nH	Induttanza SMD 3225 (1210)
43	1	MOS1	MRFE6S9060NR1	
44	1	Q1	BDX53	Trans. NPN TO220
45	1	Q4	BFG35	Trans. NPN SOT223
46	1	Q5	BSP52	Trans. NPN SOT223
47	1	RV1	1K	Trimmer Rg H 3269P SMD
48	2	R1, R2	1K0	Res. SMD 0805 1%
49	6	R3, R9, R15, R16, R17, R18	NC	Res. SMD 0805 1%
50	2	R11, R5	2K2	Res. SMD 0805 1%
51	2	R38, R8	0H	Res. SMD 2512 1%
52	5	R10, R12, R20, R22, R29	10H	Res. SMD 0805 1%
53	1	R13	47K	Res. SMD 0805 1%
54	1	R14	4K7	Res. SMD 0805 1%
55	1	R19	2K7	Res. SMD 0805 1%
56	1	R21	47H0	Res. SMD 0805 1%
57	3	R23, R25, R26	6H8	Res. SMD 0805 1%
58	2	R36, R24	150H	Res. SMD 0805 1%
59	2	R28, R27	8H2	Res. SMD 0805 1%
60	2	R30, R31	22H	Res. SMD 0805 1%
61	1	R32	100H	Res. SMD 0805 1%
62	2	R33, R34	4H7	Res. SMD 0805 1%
63	1	TL1	WIDTH_2,8mm	Linea strip CS

SLSITEX500L1



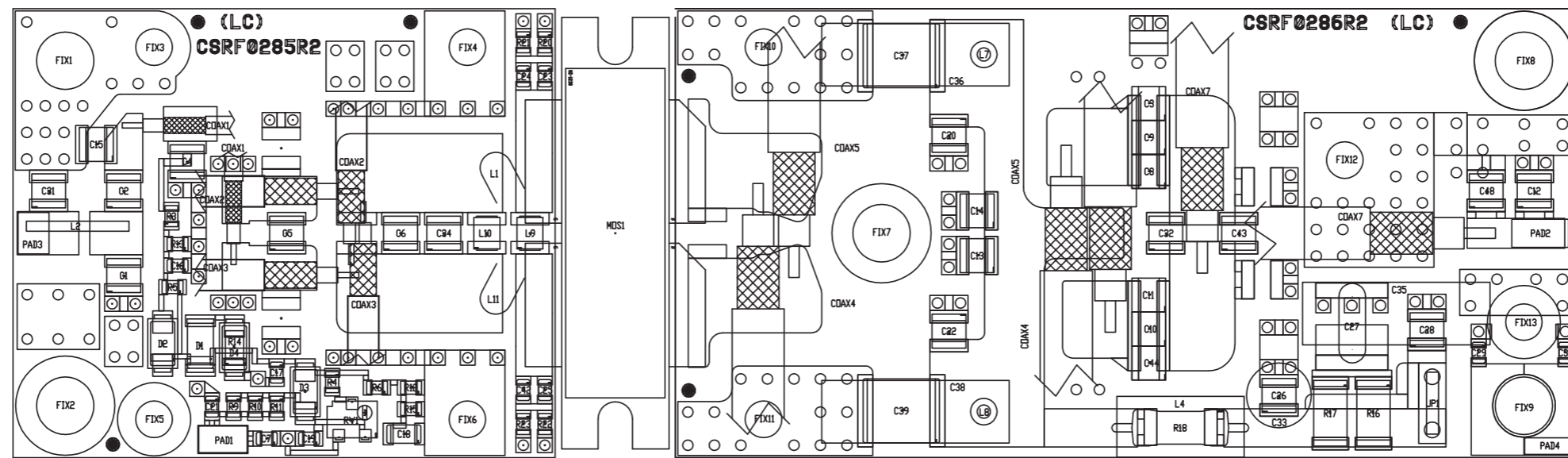
	NOME PROGETTO: TEX 500 EXCITER LCD	NOME PARTE: TABELLA INFORMATIVA C.S.SPLITTER VISTA LATO COMPONENTI		
AUTORE: ENRICO PAOLINO	DATA: 12/01/2004	REVISIONE: 1.0	SCALA: 1:1	SIZE: A4
ARCHIVIAZIONE ELETTRONICA: "CARTELLA PROGETTI" SU "UT_SRV"	CODICE PROGETTO: TEX500L	CODICE DISEGNO: CSSITEX500L1		
MATERIALE: FR4	TRATTAMENTO: STAGNATURA E SOLDER	PROFILO: SP. 1,6 - RAME 35/35	STATO: ESECUTIVO	

Nome Progetto: TEX500LCD		Pagina: 1	di 1	Size: A4
Autore: Gasperini Luca		Codice Progetto: 012		
Nome P.C. in Rete: \UT_SRV\Progetti		Data: 05/04/04	Revisione: 1.0	
File/Cartella: TEX500\Esecutivi\Schemi Elettrici\SLSITEX500L1		Nome Parte: SPLITTER		
		Codice: SLSITEX500L1		

SLSITEX500L1

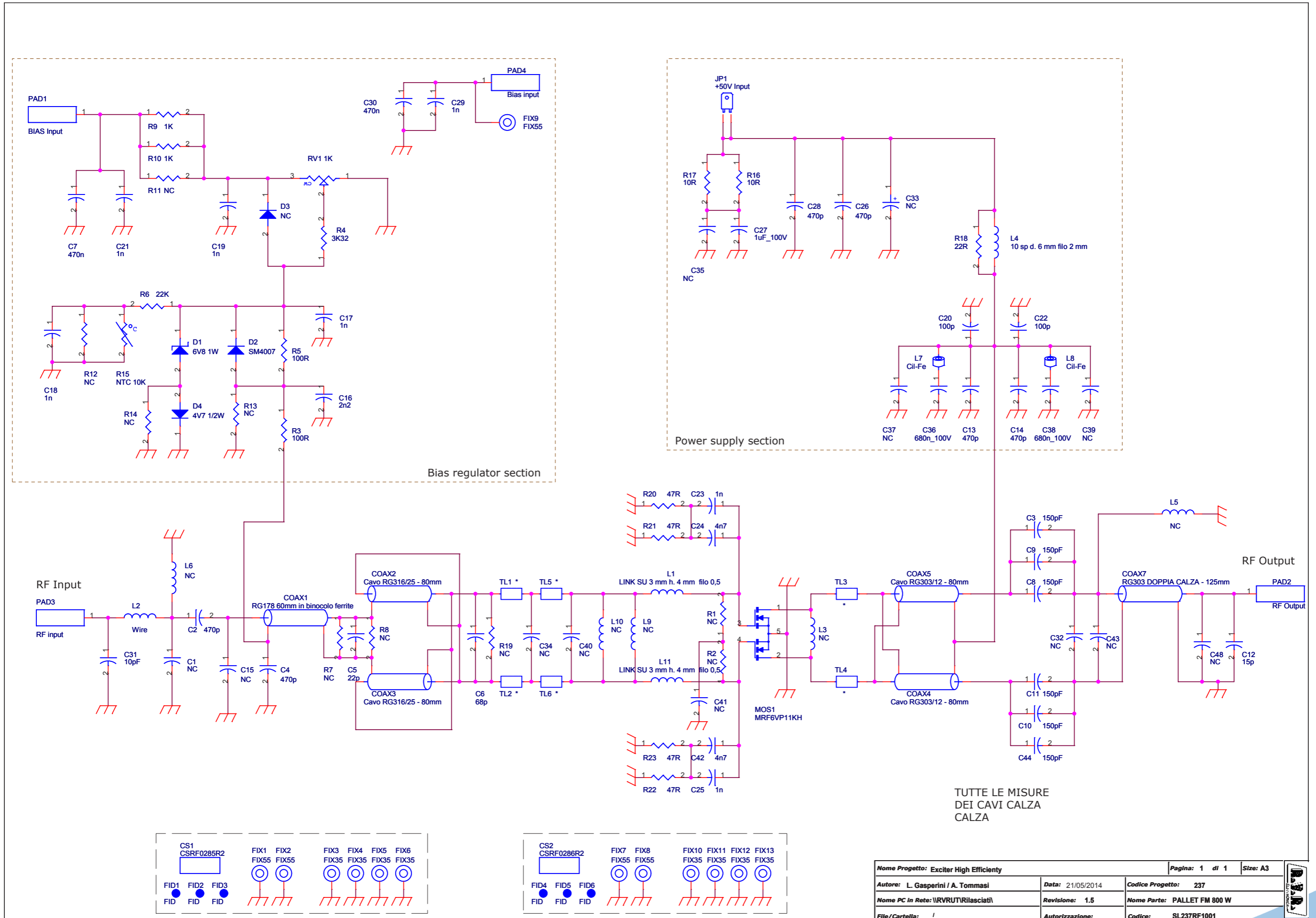
SPLITTER Revised: 05/04/04
 SLSITEX500L1 Revision: 1.0
 TEX500LCD
 12
 Gasperini Luca

Item	Quantity	Reference	Part	Description
1	1	PAD1	PALLET1	
2	1	PAD2	PALLET2	
3	1	PAD3	DRIVER	
4	1	R7	100H_CADDOCK	
5	2	TL1, TL2	70,7H	



	NOME PROGETTO: EXCITER HIGH EFFICIENTY	NOME PARTE: PALLET FM 800 W
	AUTORE: GASPERINI / TOMMASI	DATA: 21/05/2014 REVISIONE: 1.2 SCALA: 2:1 SIZE: A3 PAGINA: 1 DI 1
ARCHIVIAZIONE ELETTRONICA: "CARTELLA RILASCIATI" SU "UTSRV"	CODICE PROGETTO: 237	CODICE DISEGNO: SL237RF1001
MATERIALE: <>	TRATTAMENTO: <>	PROFILO: <>
		STATO: ESECUTIVO

SL237RF1001



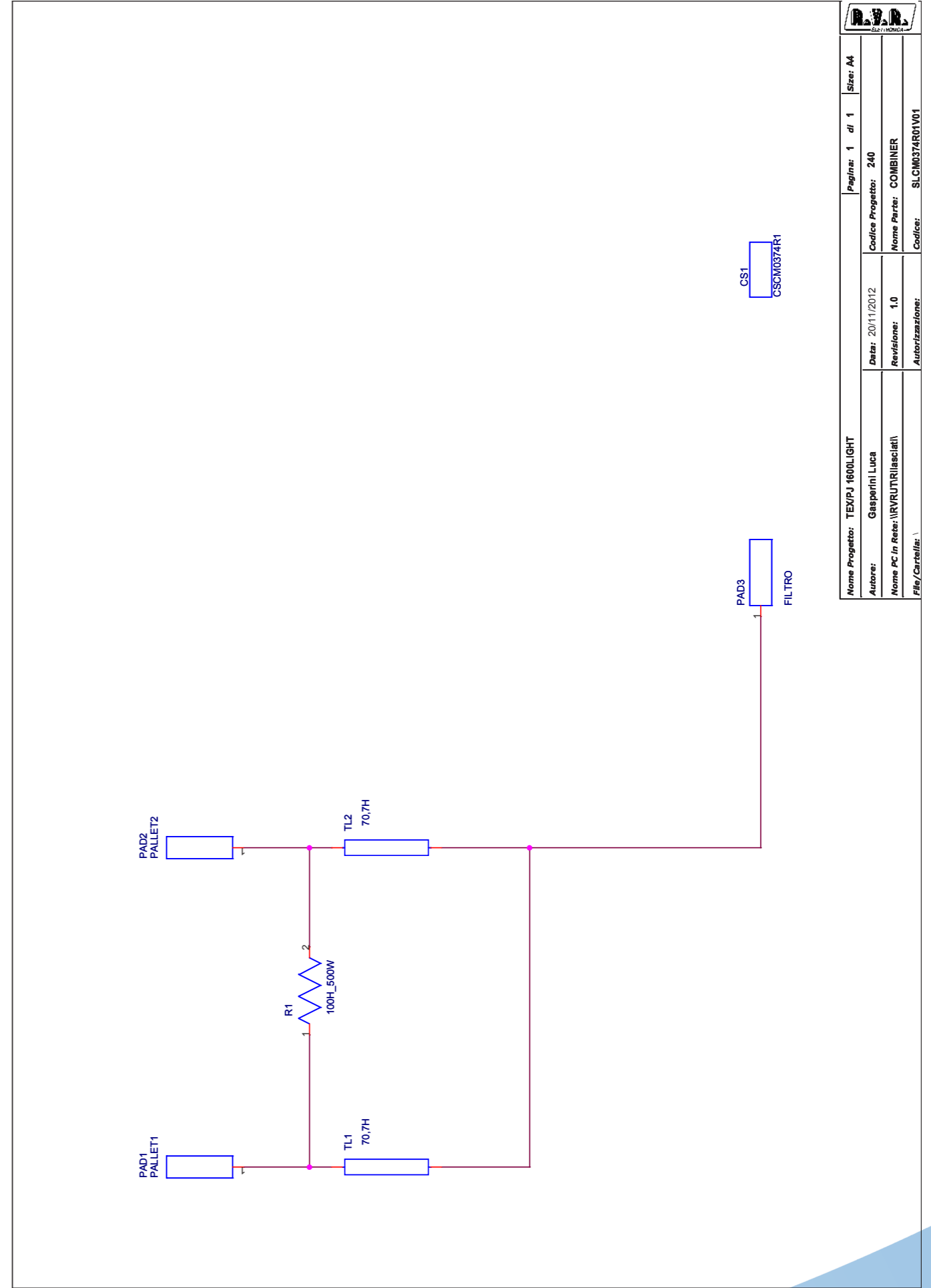
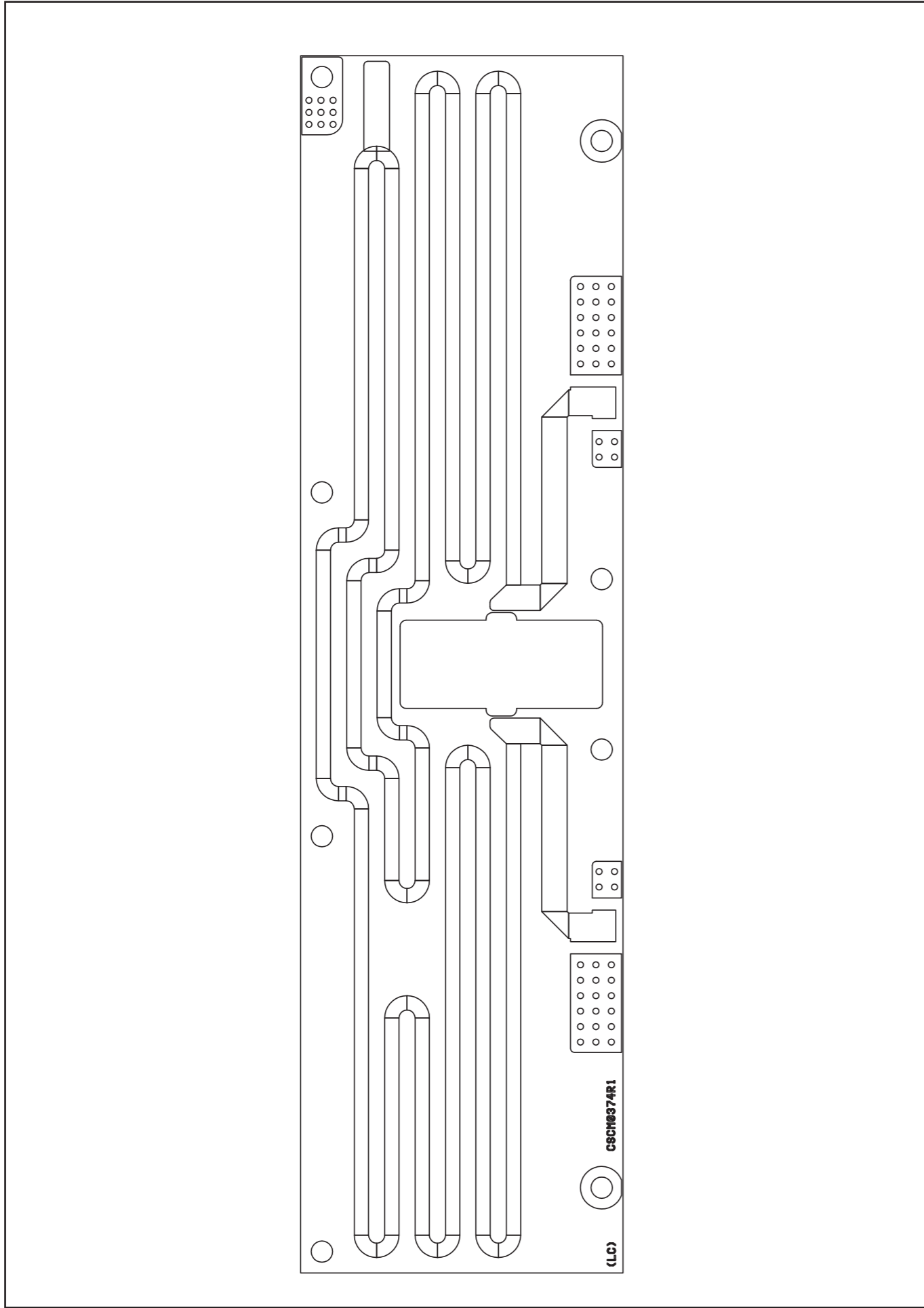
Nome Progetto: Exciter High Efficienty	Pagina: 1 di 1	Size: A3
Autore: L. Gasperini / A. Tommasi	Data: 21/05/2014	Codice Progetto: 237
Nome PC in Rete: \\RVRUTR\Rilasciati	Revisione: 1.5	Nome Parte: PALLET FM 800 W
File/Cartella: /	Autorizzazione:	Codice: SL237RF1001

SL237RF1001

PALLET FM 800 W Revised: 21/05/2014
 SL237RF1001 Revision: 1.5
 Exciter High Efficiency
 237
 L. Gasperini / A. Tommasi

Item	Quantity	Reference	Part	(description)
1	1	COAX1	RG178 60mm in binocolo ferrite	Cavo RG178 60mm calza/calza in binocolo ferrite (73mm tot.)
2	2	COAX2, COAX3	Cavo RG316/25 - 80mm	Cavo RG316/25 80mm calza/calza (91mm tot.)
3	2	COAX5, COAX4	Cavo RG303/12 - 80mm	Cavo RG303/12 80mm calza/calza (98mm tot.)
4	1	COAX7	RG142 DOPPIA CALZA - 125mm	Cavo RG142 125mm calza/calza (147mm tot.) Vedi Info COAX7.pdf
5	1	CS1	CSRF0285R2	Circuito stampato
6	1	CS2	CSRF0286R2	Circuito stampato
7	1	C1	NC	Cond. SMD 0805
8	2	C2, C4	470p	Cond. SMD 1212 HQ
9	4	C13, C14, C26, C28	470p	Cond. SMD 1212 HQ
10	1	C30	470n	Cond. SMD 0805
11	1	C5	22p	Cond. SMD 1212 HQ
12	1	C6	68p	Cond. SMD 1212 HQ
13	2	C7	470n	Cond. SMD 0805
14	6	C3, C44, C8, C9, C10, C11	150pF	Cond. SMD 1212 HQ
15	1	C12	15p	Cond. SMD 1212 HQ
16	6	C15, C32, C34, C40, C43, C48	NC	Cond. SMD 1212 HQ
17	1	C16	2n2	Cond. SMD 0805 COG
18	5	C17, C19, C21, C23, C25	1n	Cond. SMD 0805
19	1	C18	1n	Cond. SMD 1206
20	2	C22, C20	100p	Cond. SMD 1212 HQ
21	2	C42, C24	4n7	Cond. SMD 0805
22	1	C27	1uF_100V	Cond. multistrato p 5mm
23	1	C31	10pF	Cond. SMD 1212 HQ
24	1	C29	1n	Cond. SMD 0805
25	3	C36, C38	680n_100V	Cond. Poliestere p 10mm
26	2	C37, C39	NC	Cond. Poliestere p 15mm
27	1	C41	NC	Cond. multistrato p 5mm
28	1	D1	6V8 1W	MELF SMD Zener Diode
29	1	D2	SM4007	Diode SMD cont. SMA
30	1	D3	NC	Diode SMD cont. SMA
31	1	D4	4V7 1/2W	MELF SMD Zener Diode
32	6	FID1, FID2, FID3, FID4, FID5, FID6	FID	Fiducial CS
33	5	FIX1, FIX2, FIX7, FIX8, FIX9	FIX55	Foro fissaggio 5.5mm
34	8	FIX3, FIX4, FIX5, FIX6, FIX10, FIX11, FIX12, FIX13	FIX35	Foro fissaggio 3.5mm
35	1	JP1	+50V Input	Faston da CS p. 5.08
36	2	L11, L1	LINK SU 3 mm h. 4 mm filo 0,5	LINK su 3 mm h. 4 mm filo 0,5
37	1	L2	Wire	Filo R. Arg. 1mm lung. 10mm
38	1	L3	NC	
39	1	L4	10 sp d. 6 mm filo 2 mm	10spire filo R. Small. 2mm Avvolte su 6mm includente R18 all'interno
40	2	L5, L9	NC	
41	1	L6	NC	
42	2	L7, L8	Cil-Fe	Cilindretto di ferrite
43	1	L10	NC	Ind. SMD 1008
44	1	MOS1	MRF6VP11KH	PP Power mosfet RF
45	2	PAD4, PAD1	BIAS Input	
46	1	PAD2	RF Output	
47	1	PAD3	RF Input	
48	1	RV1	1K	Trimm. multi SMD PVG5 Murata
49	5	R1, R2, R7, R8, R19	NC	Res. 2W
50	2	R3, R5	100R	Res. SMD 0805 1%
51	1	R4	3K32	Res. SMD 0805 1%
52	1	R6	22K	Res. SMD 0805 1%
53	2	R10, R9	1K	Res. SMD 0805 1%
54	3	R11, R12, R13	NC	Res. SMD 0805 1%
55	1	R14	NC	Res. SMD 1206 1%
56	1	R15	NTC 10K	Res. NTC SMD 0805
57	2	R17, R16	10R	Res. SMD 2512 5%
58	1	R18	22R	Res. 2W
59	4	R20, R21, R22, R23	47R	Res. SMD 0805 1%
60	6	TL1, TL2, TL3, TL4, TL5, TL6	*	Linea strip CS
61	1		Ferrite balun	Ferrite balun

SLCM0374R01V01



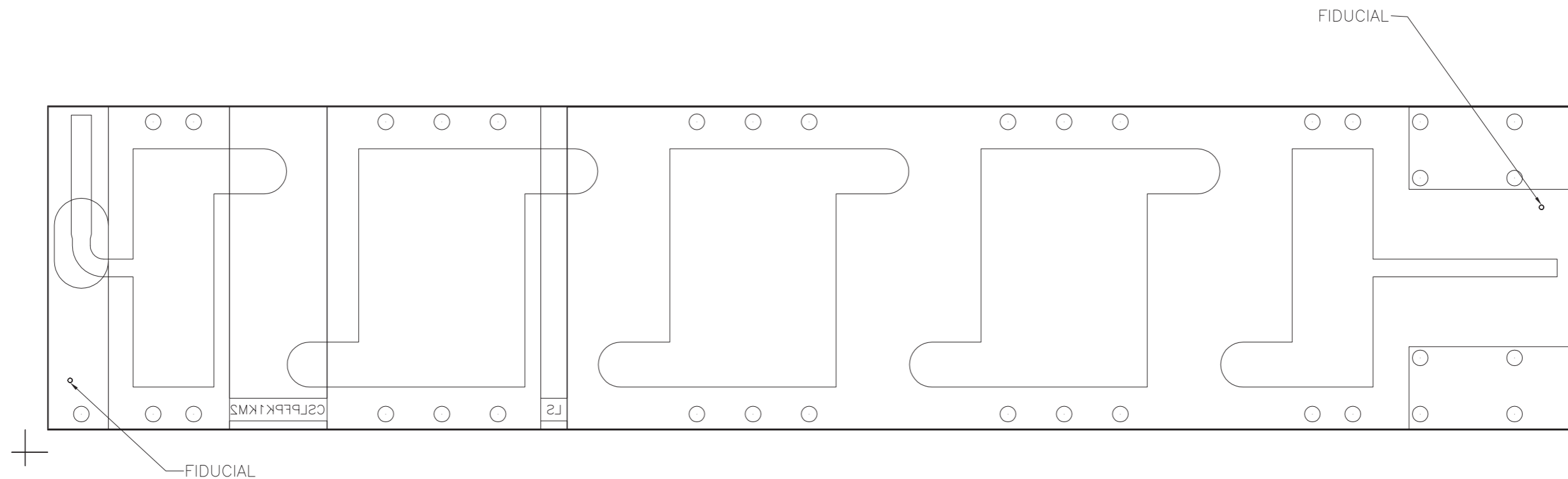
Nome Progetto: TEX/PJ 1600LIGHT	Pagina: 1	di 1	Size: A4
Autore: Gasparini Luca	Codice Progetto: 240	Data: 20/11/2012	
Nome PC in Rete: \\RVUTR\lasciati	Revisione: 1.0	Nome Parte: COMBINER	
File/Cartella: \	Autore: SLCM0374R01V01	Codice: SLCM0374R1	

SLCM0374R01V01

COMBINER Revised: 20/11/2012
 SLCM0374R01V01 Revision: 1.0
 TEX/PJ 1600LIGHT
 240
 Gasperini Luca

Item	Quantity	Reference	Part	Description
1	1	PAD1	PALLET1	
2	1	PAD2	PALLET2	
3	1	PAD3	FILTRO	
4	1	R1	100H_500W	Resistenza KDI 2 fix
5	2	TL1, TL2	70,7H	Linea strip CS
6	1	CS1	CSCM0374R1	Circuito Stampato

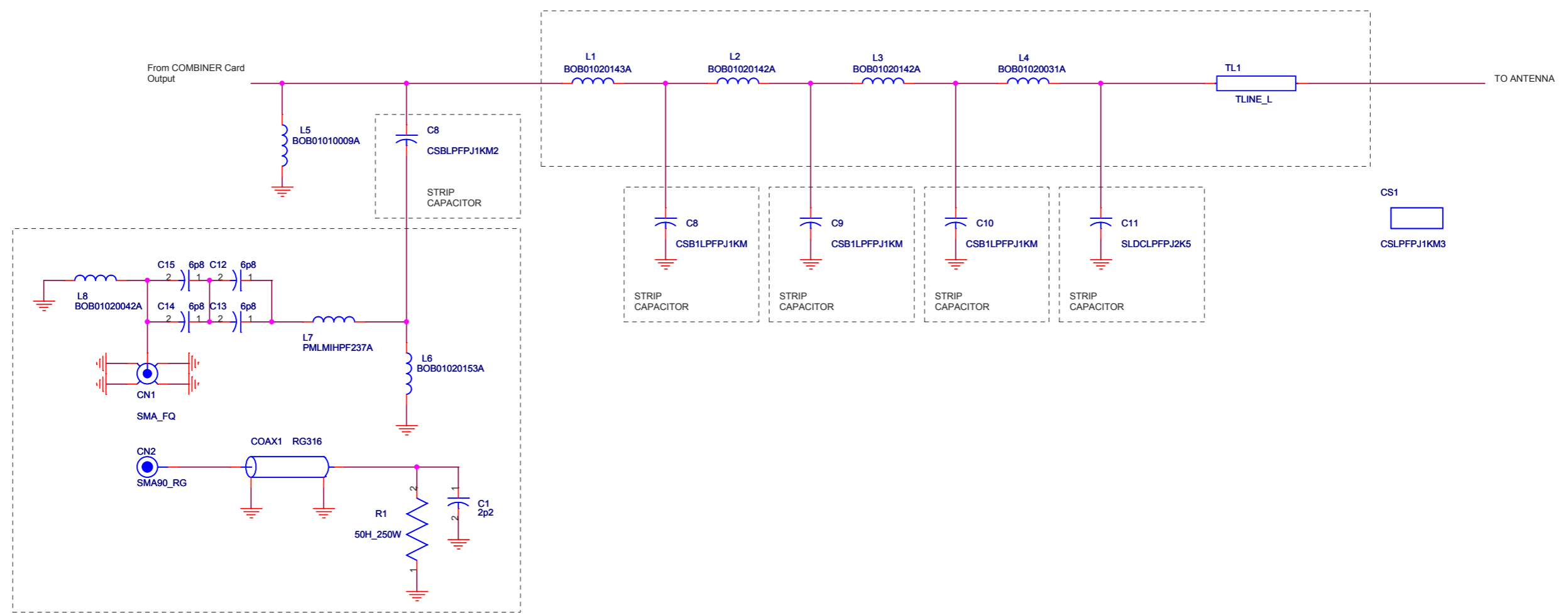
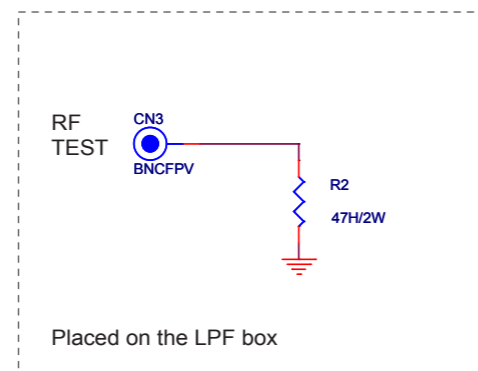
REF	Q.TA	DIAM	TRATTAMENTO
○	35	3.50	NESSUNO



LATO COMPONENTI VISTA LATO COMPONENTI
 LATO SALDATURA VISTA LATO COMPONENTI
 PIANO DI FORATURA
 BORDO SCHEDA

Dimensioni del C.S.: 339.50x72.00mm

1.1	27/03/06	D.Miladinovic	L.Gasperini	N31 CMP/04	Aggiunta asola 12x20 sul lato saldature
		DENOMINAZIONE			
		Circuito Stampato Filtro Passa Basso			
		DISPOSITIVO			
		PJ1000M (1000W Mos-Fet Amplifier)			
MATERIALE		Diclad 527 Doppia Faccia Sp. 1.6mm Rame 70/70		DISEGNATO	
TRATTAMENTO		Argentatura		D'Alessio D. 07/04/2001	
				DISEGNO	
		SCALA 1:1		CSLPPFJ1KM2	
				TAVOLA n 1 di 1	



Nome Progetto: TEX2500		Pagina: 1 di 1	Size: A3
Autore: Ufficio Tecnico	Data: 21/05/2013	Codice Progetto: 237	
Nome PC in Rete: \\Rvrut\l\lasciat\l	Revisione: 1.2	Nome Parte: Scheda Filtro FM Green Line	
File/Cartella: SLLPFTEX2K5.DSN	Autorizzazione:	Codice: SLLPFTEX2K5	

SLLPFTEX2K5

Scheda Filtro FM Green Line Revised: Tuesday, May 21, 2013

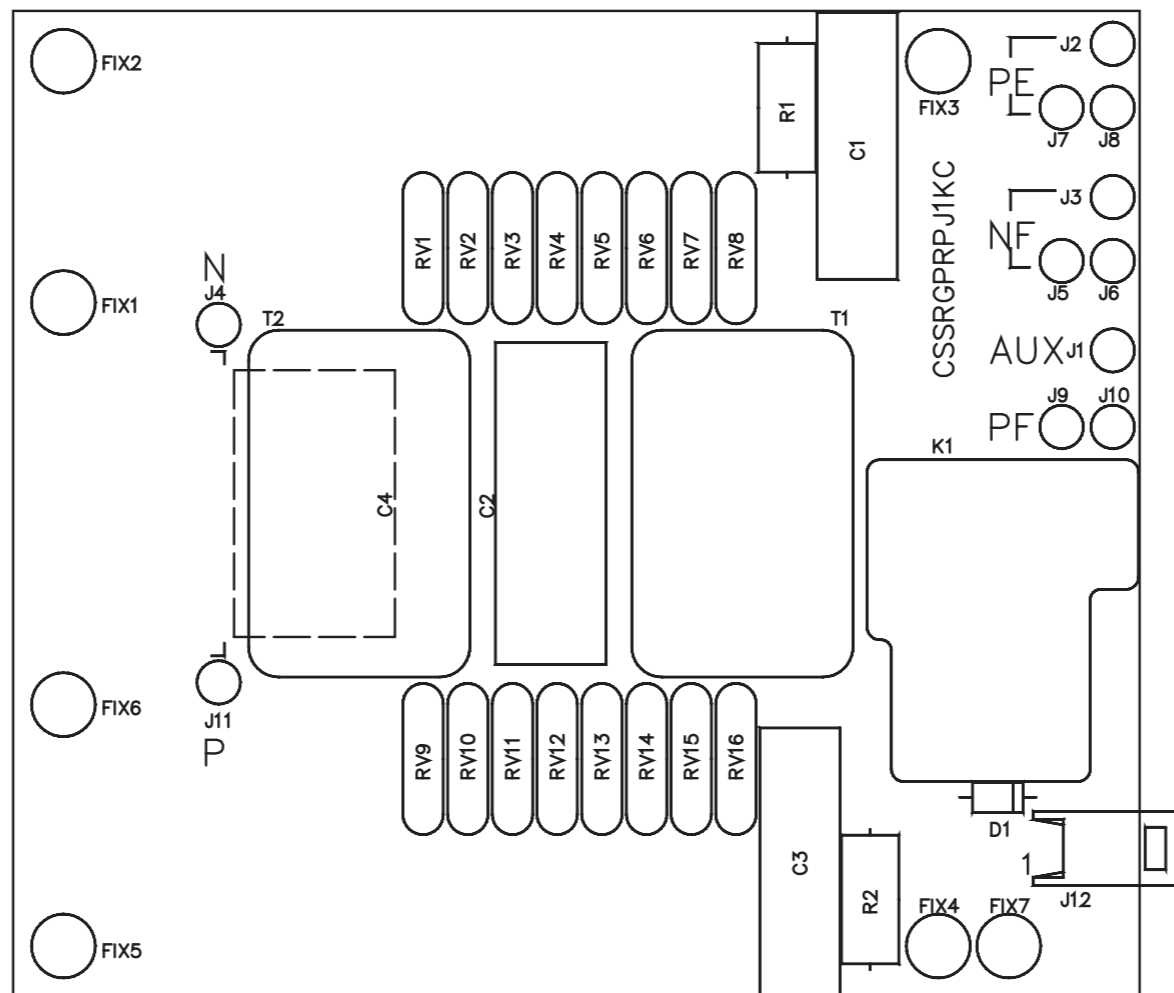
SLLPFTEX2K5 Revision: 1.2

TEX2500

237

Ufficio Tecnico

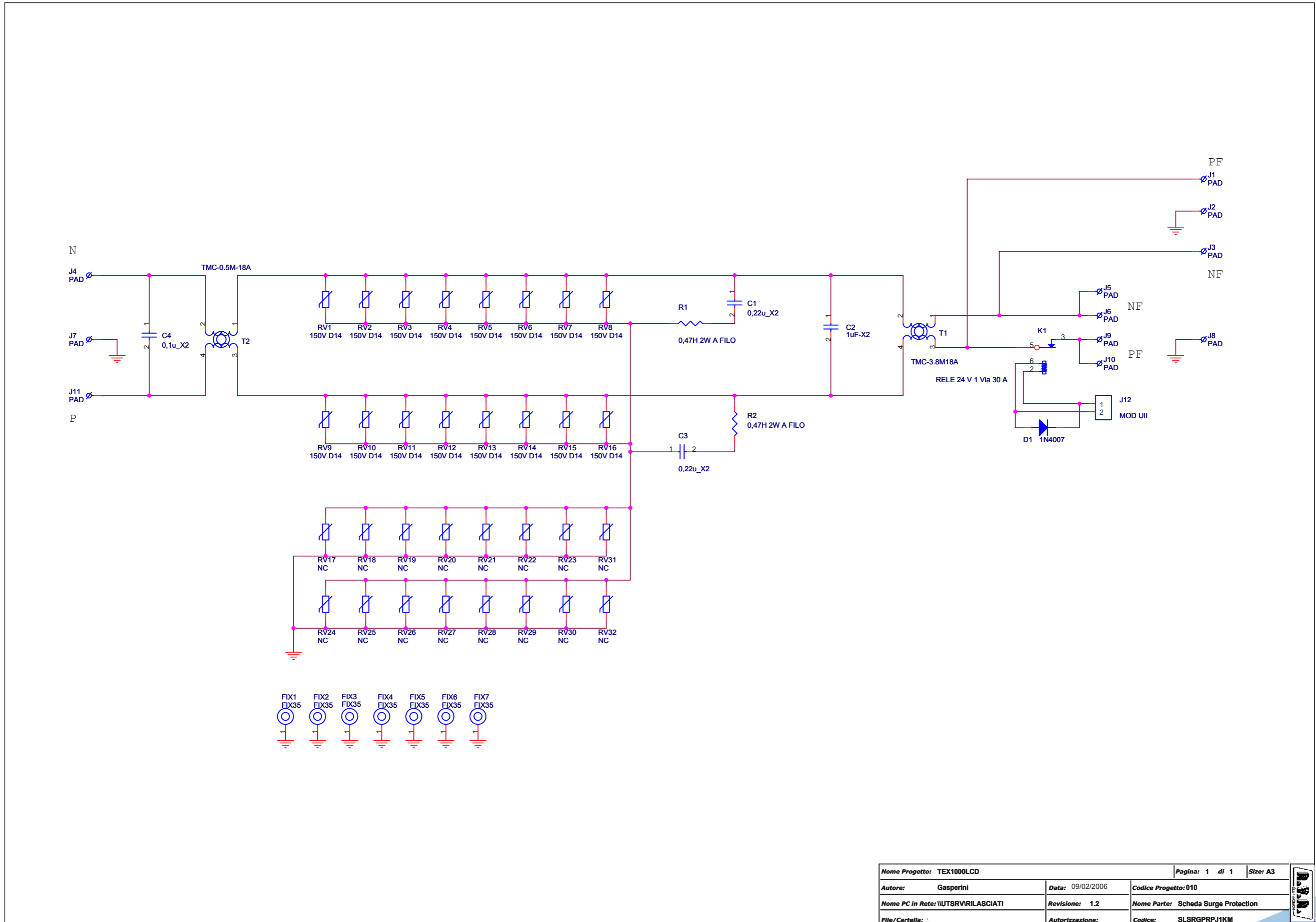
Item	Quantity	Reference	Part	Description
1	1	CN1	SMA_FQ	
2	1	CN2	SMA90_RG	
3	1	CN3	BNCFPV	
4	1	COAX1	RG316	
5	1	CS1	CSLPPFJ1KM3	
6	1	C1	2p2	
7	1	C8	CSBLPPFJ1KM2	
8	3	C8, C9, C10	CSB1LPPFJ1KM	
9	1	C11	SLDCLPPFJ2K5	
10	4	C12, C13, C14, C15	6p8	
11	1	L1	BOB01020143A	
12	2	L2, L3	BOB01020142A	
13	1	L4	BOB01020031A	
14	1	L5	BOB01010009A	
15	1	L6	BOB01020153A	
16	1	L7	PMLMIHPF237A	
17	1	L8	BOB01020042A	
18	1	R1	50H_250W	
19	1	R2	47H/2W	
20	1	TL1	TLINE_L	



Nome Progetto: TEX1000		Pagina: 1 di 1	Size: A4
Autore: Ufficio Tecnico		Data: 22/11/2005	Codice Progetto: 010
Nome PC in Rete: \\UTSRV\PROGETTI		Revisione: 1.2	Nome Parte: Surge Protection Component Layout
File/Cartella: \		Autorizzazione:	Codice: SLSRGPRPJ1KM
Scala: /	Materiale: /	Trattamento: /	Profilo: /



SLSRGPRPJ1KM



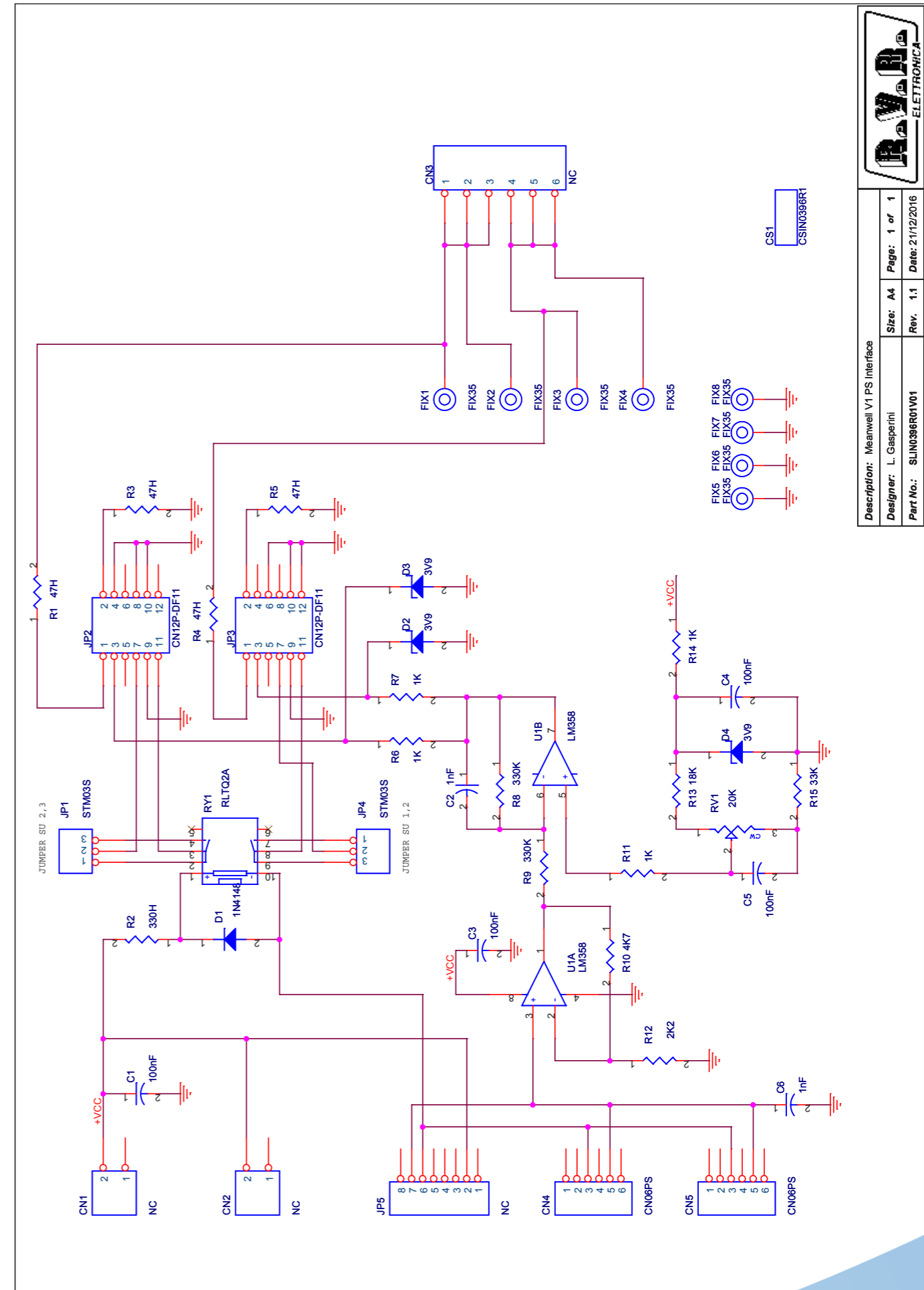
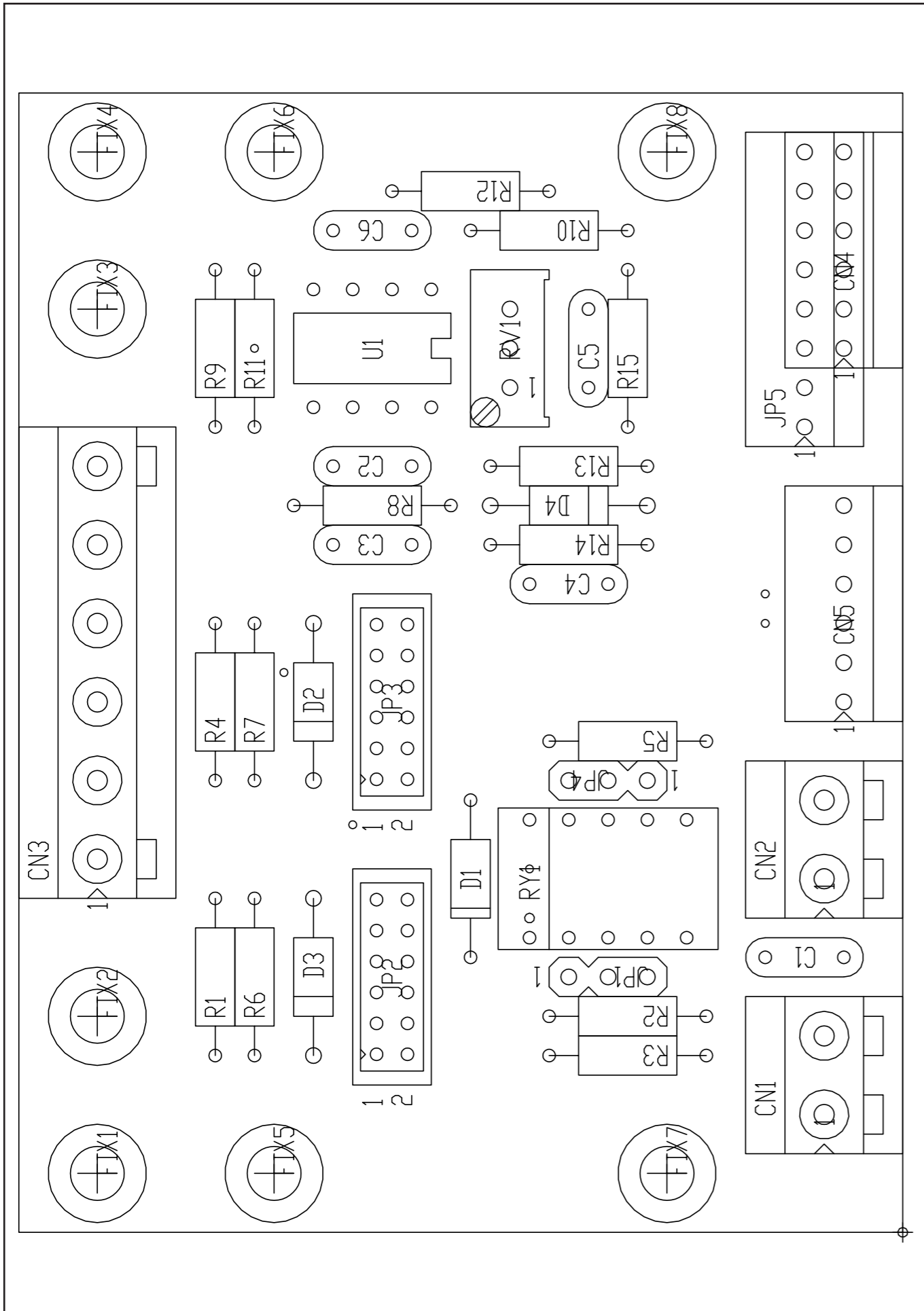
Nome Progetto: TEX1000LCD		Pagina: 1 di 1	Size: A3
Autore: Gasperini	Data: 09/02/2006	Codice Progetto: 010	
Nome PC In Rete: \UTSRV\RILASCIATI	Revisione: 1.2	Nome Parte: Scheda Surge Protection	
File/Cartella: \	Autorizzazione:	Codice: SLSRGPRPJ1KM	

SLSRGPRPJ1KM

Scheda Surge Protection Revised: 09/02/2006
 SLSRGPRPJ1KM Revision: 1.2
 TEX1000

Item	Quantity	Reference	Part
1	2	C1, C3	0,22u_X2
2	1	C2	1uF-X2
3	1	C4	0,1u_X2
4	1	D1	1N4007
5	7	FIX1, FIX2, FIX3, FIX4, FIX5, FIX6, FIX7	FIX35
6	11	J1, J2, J3, J4, J5, J6, J7, J8, J9, J10, J11	PAD
7	1	J12	MOD UII
8	1	K1	RELE 24 V 1 Via 30 A
9	16	RV1, RV2, RV3, RV4, RV5, RV6, RV7, RV8, RV9, RV10, RV11, RV12, RV13, RV14, RV15, RV16	150V D14
10	2	R2, R1	0,47H 2W A FILO
11	1	T1	TMC-3.8M18A
12	1	T2	TMC-0.5M-18A

SLIN0396R01V01



Description: Meanwell V1 PS Interface		Size: A4	Pages: 1 of 1
Designer: L. Gasperini		Rev: 1.1	Date: 21/12/2016
Part No.: SLIN0396R01V01			

SLIN0396R01V01

Meanwell V1 PS Interface Revised: 21/12/2016
 SLIN0396R01V01 Revision: 1.1
 Luca Gasperini

Item	Quantity	Reference	Part	(description)
1	2	CN2, CN1	MCS2P	Conn. tipo KRA a 2 poli
2	1	CN3	NC	Conn. tipo KRA a 6 poli
3	2	CN5, CN4	CN06PS	Connettore 6 poli Mascon
4	1	CS1	CSIN0396R1	Circuito stampato
5	4	C1, C3, C4, C5	100nF	Cond. ceramico multistrato p 5mm
6	2	C6, C2	1nF	Cond. ceramico multistrato p 5mm
7	1	D1	1N4148	
8	3	D2, D3, D4	3V9	1/2W Zener Diode
9	8	FIX1, FIX2, FIX3, FIX4, FIX5, FIX6, FIX7, FIX8	FIX35	Foro fissaggio 3.5mm
10	2	JP1, JP4	STM03S	Strip maschio 3 pin
11	2	JP2, JP3	CN12P-DF11	Connettore 12 poli DF11 12pin p. 2mm
12	1	JP5	NC	Connettore 8 poli Mascon
13	1	RV1	20K	Trimmer Rg O 3296H
14	1	RY1	RLTQ2A	Rele' TQ2
15	4	R1, R3, R4, R5	47H	Res. 1/4W
16	1	R2	330H	Res. 1/4W
17	4	R7, R6, R11, R14	1K	Res. 1/4W
18	2	R8, R9	330K	Res. 1/4W
19	1	R10	4K7	Res. 1/4W
20	1	R12	2K2	Res. 1/4W
21	1	R13	18K	Res. 1/4W
22	1	R15	33K	Res. 1/4W
23	1	U1	LM358	Dual Op. DIP8



2000W Single Output Power Supply

RSP-2000 series

5. Current Sharing with Remote Sensing

RSP-2000 has the built-in active current sharing function and can be connected in parallel to provide higher output power :

- (1) Parallel operation is available by connecting the units shown as below.
(DA, DB and GND are connected mutually in parallel).
- (2) Difference of output voltages among parallel units should be less than 0.2V.
- (3) The total output current must not exceed the value determined by the following equation.
(output current at parallel operation) = (Rated current per unit) × (Number of unit) × 0.9
- (4) In parallel operation 4 units is the maximum, please consult the manufacturer for applications of more connecting in parallel.
- (5) The power supplies should be paralleled using short and large diameter wiring and then connected to the load.
- (6) Under parallel operation, the minimum output load should be greater than 5% of total output load.
- (7) Under parallel operation ripple of the output voltage may be higher than the SPEC at light load condition. It will go back to normal ripple level once the output load is more than 5%.
- (8) CN502/CN504 Function pin connection

Parallel	PSU1		PSU2		PSU3		PSU4	
	CN502	CN504	CN502	CN504	CN502	CN504	CN502	CN504
1 unit	X	V	—	—	—	—	—	—
2 unit	V	V	V	V	—	—	—	—
3 unit	V	V	V	X	V	V	—	—
4 unit	V	V	V	X	V	X	V	V

※ V is CN502/CN504 connected to plug pin, X is CN502/CN504 not connected to plug pin.

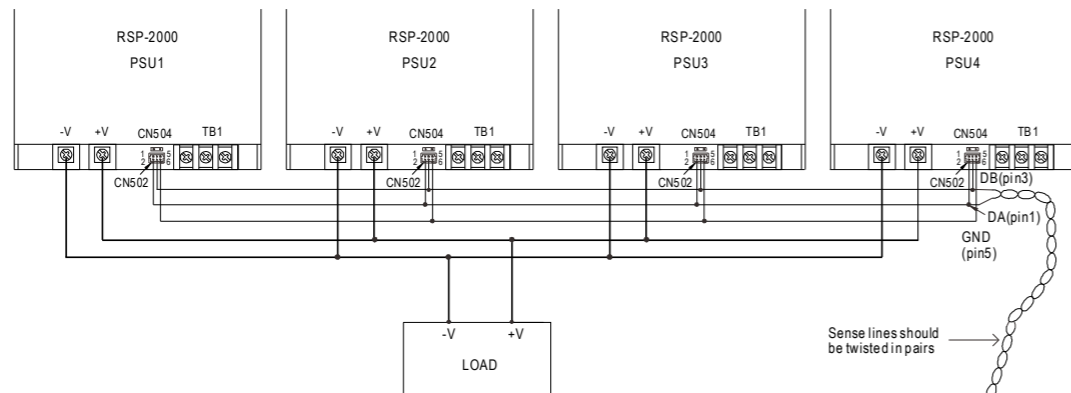
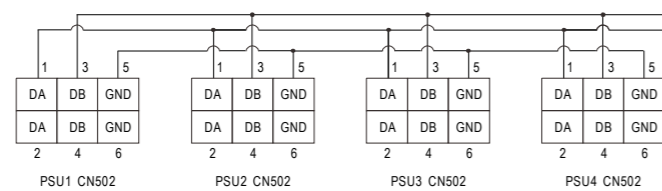


Fig 6.1



File Name: RSP-2000-SPEC 2013-11-01

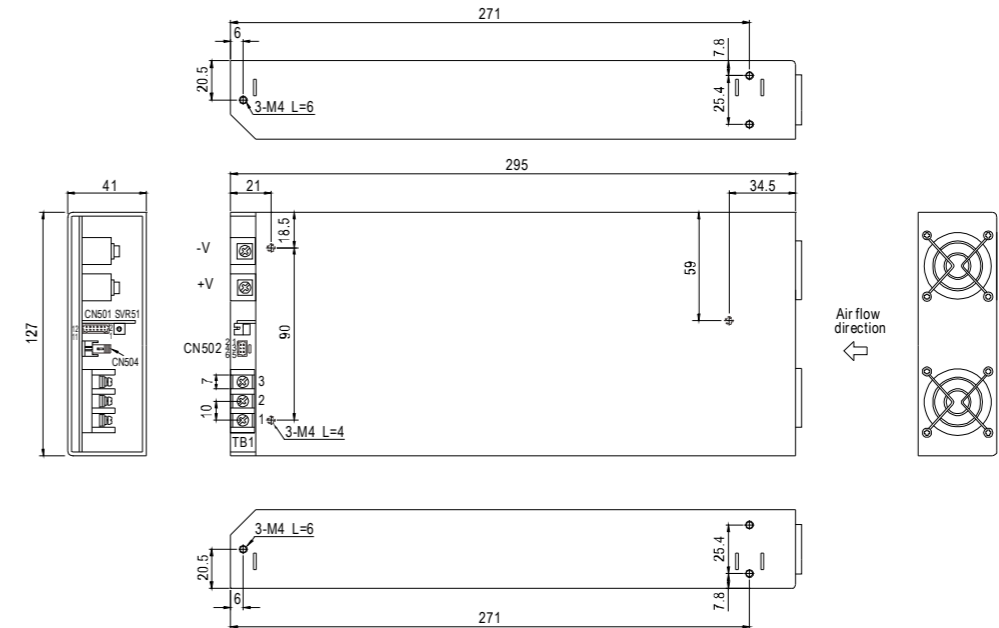


2000W Single Output Power Supply

RSP-2000 series

Mechanical Specification

Case No. 952D Unit:mm



AC Input Terminal Pin No. Assignment

Pin No.	Assignment
1	AC/N
2	AC/L
3	FG

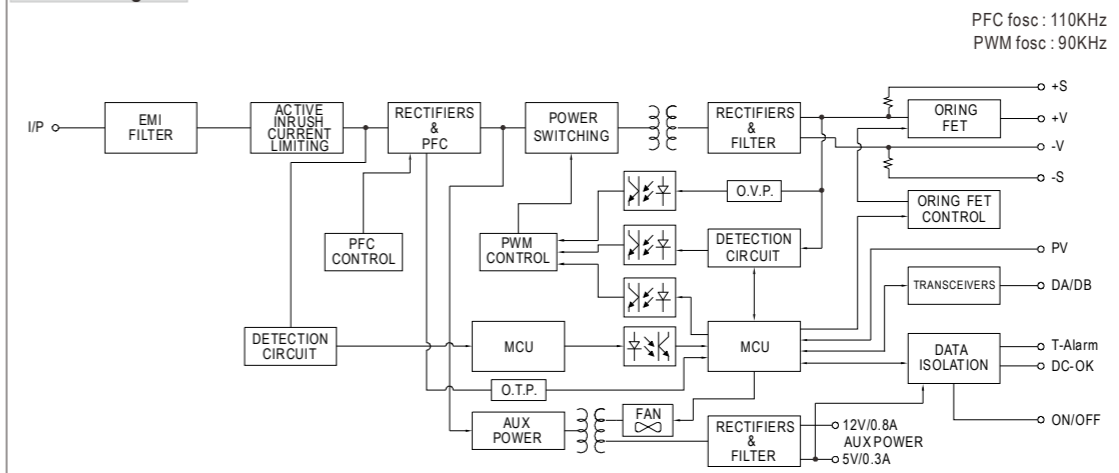
Control Pin No. Assignment (CN501) : HRS DF11-12DP-2DS or equivalent

Pin No.	Assignment	Pin No.	Assignment	Pin No.	Assignment	Mating Housing	Terminal
1	+S	5	DC-OK	9	GND-AUX	HRS DF11-12DS or equivalent	HRS DF11-12DS or equivalent
2	-S	6	T-ALARM	10	GND-AUX		
3	PV	7	ON/OFF	11	+5V-AUX		
4	GND	8	GND-AUX	12	+12V-AUX		

Control Pin No. Assignment (CN502) : HRS DF11-6DP-2DSA or equivalent

Pin No.	Assignment	Mating Housing	Terminal
1,2	DA	HRS DF11-6DS or equivalent	HRS DF11-12DS or equivalent
3,4	DB		
5,6	GND		

Block Diagram



PFC fosc : 110KHz
PWM fosc : 90KHz

File Name: RSP-2000-SPEC 2013-11-01



2000W Single Output Power Supply

RSP-2000 series

Function Description of CN501

Pin No.	Function	Description
1	+S	Positive sensing. The +S signal should be connected to the positive terminal of the load. The +S and -S leads should be twisted in pair to minimize noise pick-up effect. The maximum line drop compensation is 0.5V.
2	-S	Negative sensing. The -S signal should be connected to the negative terminal of the load. The -S and +S leads should be twisted in pair to minimize noise pick-up effect. The maximum line drop compensation is 0.5V.
3	PV	Connection for output voltage trimming. The voltage can be trimmed within its defined range. (Note.1)
4	GND	This pin connect to the negative terminal(-V).
5	DC-OK	High (4.5 ~ 5.5V) : When the $V_{out} \leq 80\% \pm 6\%$. Low (0 ~ 0.5V) : When $V_{out} \geq 80\% \pm 6\%$. The maximum sourcing current is 10mA and only for output. (Note.2)
6	T-ALARM	High (4.5 ~ 5.5V) : When the internal temperature (TSW1 or TSW2 open) exceeds the limit of temperature alarm. Low (0 ~ 0.5V) : When the internal temperature (TSW1 or TSW2 short) under the limit temperature. (Note.2)
7	ON/OFF	The unit can turn the output on and off by electrical signal or dry contact between ON/OFF and +5V-AUX. (Note.2) Short (4.5 ~ 5.5V) : Power OFF ; Open (0 ~ 0.5V) : Power ON ; The maximum input voltage is 5.5V.
8,9,10	GND-AUX	Auxiliary voltage output GND. The signal return is isolated from the output terminals (+V & -V).
11	+5V-AUX	Auxiliary voltage output, 4.5~5.5V, referenced to GND-AUX (pin). The maximum load current is 0.3A. This output has the built-in "Oring diodes" and is not controlled by the remote ON/OFF control.
12	+12V-AUX	Auxiliary voltage output, 10.6~13.2V, referenced to GND-AUX (pin). The maximum load current is 0.8A. This output has the built-in "Oring diodes" and is not controlled by the remote ON/OFF control.

Note1: Non-isolated signal, referenced to the output terminals (-V).
Note2: Isolated signal, referenced to GND-AUX.

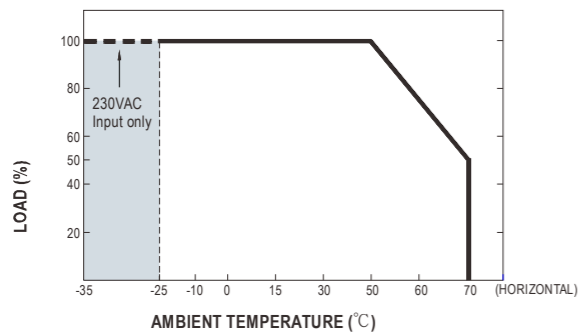
Function Description of CN502

Pin No.	Function	Description
1,2	DA	Differential digital signal for parallel control.
3,4	DB	Differential digital signal for parallel control.
5,6	GND	These pins connect to the negative terminal (-V).

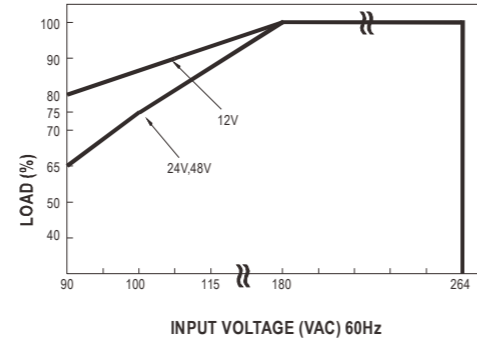
Function Description of CN504

Pin No.	Function	Description
1,2	Terminal resistance	CN504 is the selector of terminal resistor that is designed for DA/DB signals and parallel control function.

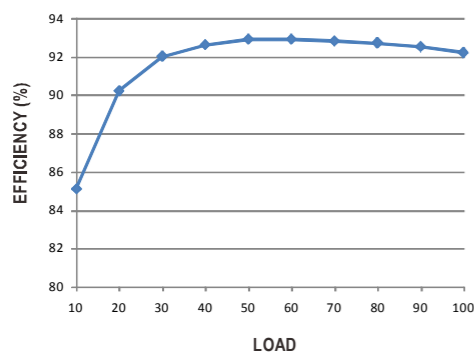
Derating Curve



Static Characteristics



EFFICIENCY vs LOAD (48V Model)



DERATING LOAD(%) VS INPUT VOLTAGE

MODEL \ INPUT / VOLTAGE	180VAC	115VAC	100VAC	90VAC
RSP-2000-12	100%	95%	90%	80%
RSP-2000-24	100%	80%	75%	65%
RSP-2000-48	100%	80%	75%	65%

File Name:RSP-2000-SPEC 2013-11-01



2000W Single Output Power Supply

RSP-2000 series

Function Manual

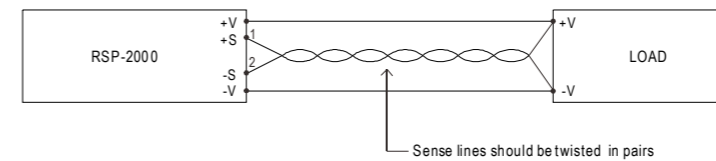
1. Remote ON/OFF Control

The PSU can be turned ON/OFF together or separately by using the "Remote ON/OFF" function.



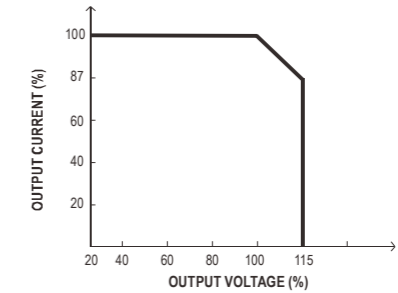
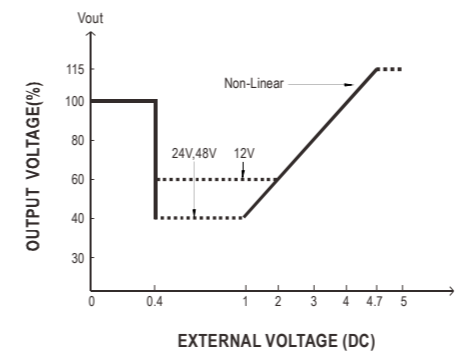
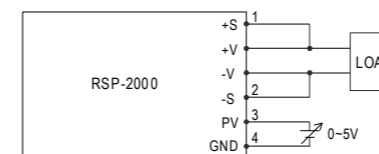
2. Remote Sense

The remote sense compensates voltage drop on the load wiring up to 0.5V.



3. Output Voltage Trimming

- Output voltage can be trimmed between 40~115% of its rated value by the following method.
- +S & +V, -S & -V also need to be connected on CN501.



MODEL \ PV / VOLTAGE	<0.4V	1V	2V	3V	4V	4.7V
RSP-2000-12	100%	60%	60%	80%	100%	115%
RSP-2000-24	100%	40%	60%	80%	100%	115%
RSP-2000-48	100%	40%	60%	80%	100%	115%

4. Front Panel Indicators & Corresponding Signal at Function Pins

Function	LED	Description	* Signal	PSU Output
DC-OK	GREEN	When output voltage $\geq 80\% \pm 5\%$ of V_o rated.	0 ~ 0.5V	ON
DC-NG	RED	When output voltage $\leq 80\% \pm 5\%$ of V_o rated.	4.5 ~ 5.5V	ON
T-OK	GREEN	When the internal temperature (TSW1 & TSW2 short) is within safe limit	0 ~ 0.5V	ON
T-ALARM	RED	When the internal temperature (TSW1 or TSW2 open) exceeds the limit of temperature alarm	4.5 ~ 5.5V	OFF

*Signal between function pin and "GND-AUX".

File Name:RSP-2000-SPEC 2013-11-01



2000W Single Output Power Supply

RSP-2000 series

5.Current Sharing with Remote Sensing

RSP-2000 has the built-in active current sharing function and can be connected in parallel to provide higher output power :

- (1) Parallel operation is available by connecting the units shown as below.
(DA, DB and GND are connected mutually in parallel).
- (2) Difference of output voltages among parallel units should be less than 0.2V.
- (3) The total output current must not exceed the value determined by the following equation.
(output current at parallel operation)=(Rated current per unit)×(Number of unit)×0.9
- (4) In parallel operation 4 units is the maximum, please consult the manufacturer for applications of more connecting in parallel.
- (5) The power supplies should be paralleled using short and large diameter wiring and then connected to the load.
- (6) Under parallel operation, the minimum output load should be greater than 5% of total output load.
- (7) Under parallel operation ripple of the output voltage may be higher than the SPEC at light load condition. It will go back to normal ripple level once the output load is more than 5%.
- (8) CN502/CN504 Function pin connection

Parallel	PSU1		PSU2		PSU3		PSU4	
	CN502	CN504	CN502	CN504	CN502	CN504	CN502	CN504
1 unit	X	V	—	—	—	—	—	—
2 unit	V	V	V	V	—	—	—	—
3 unit	V	V	V	X	V	V	—	—
4 unit	V	V	V	X	V	X	V	V

※ V is CN502/CN504 connected to plug pin, X is CN502/CN504 not connected to plug pin.

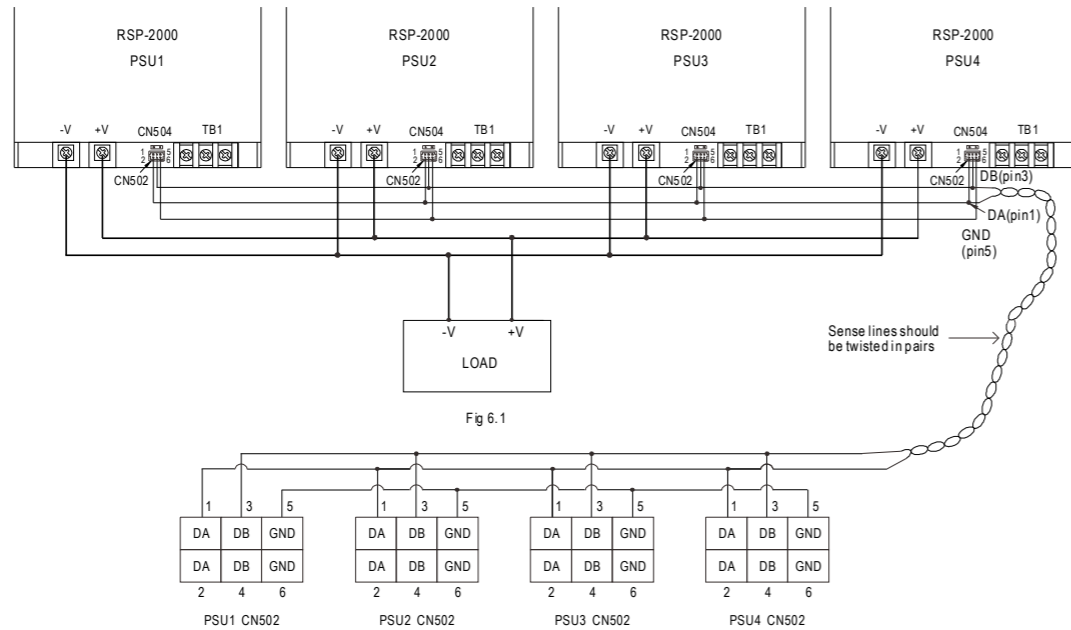
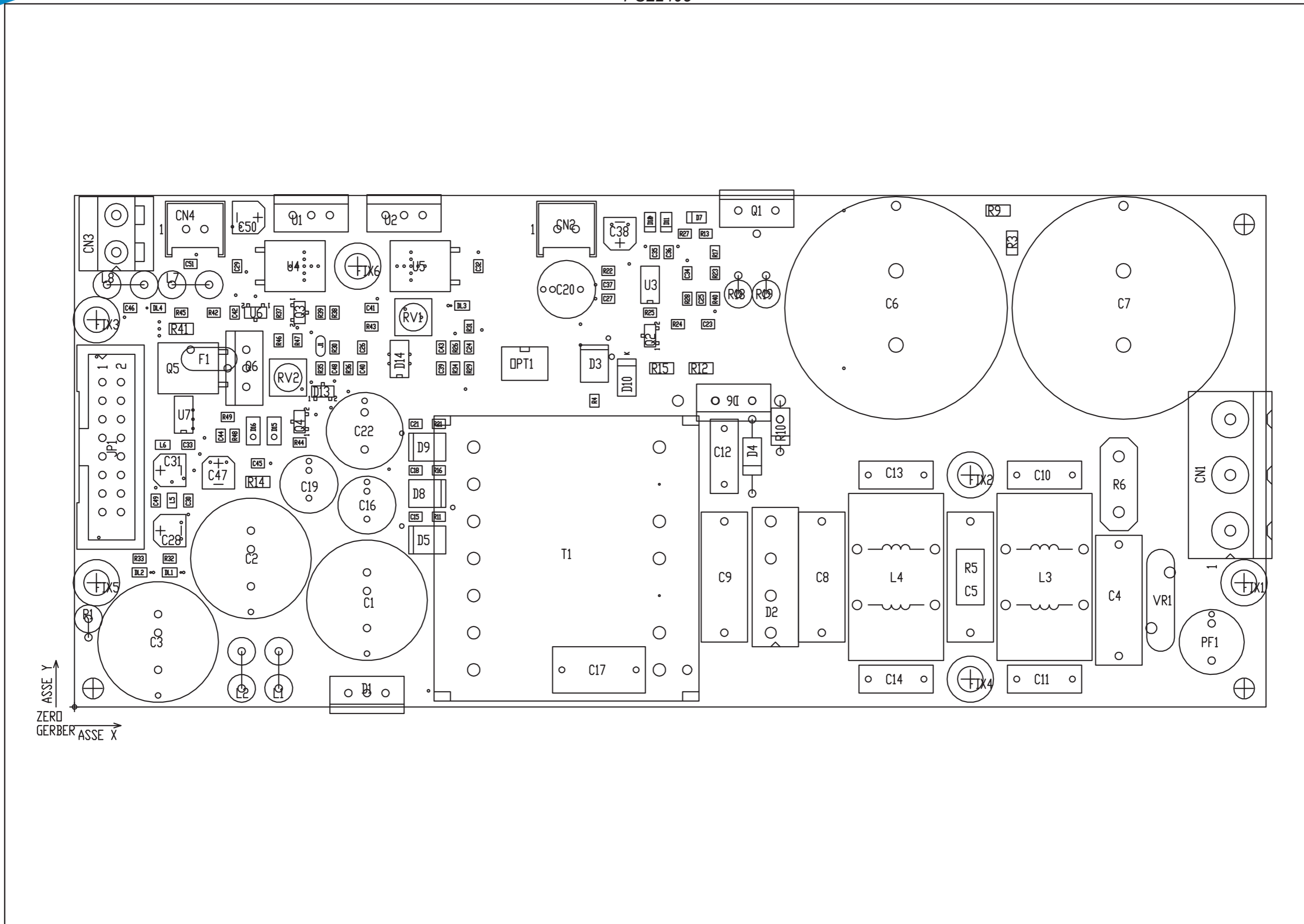


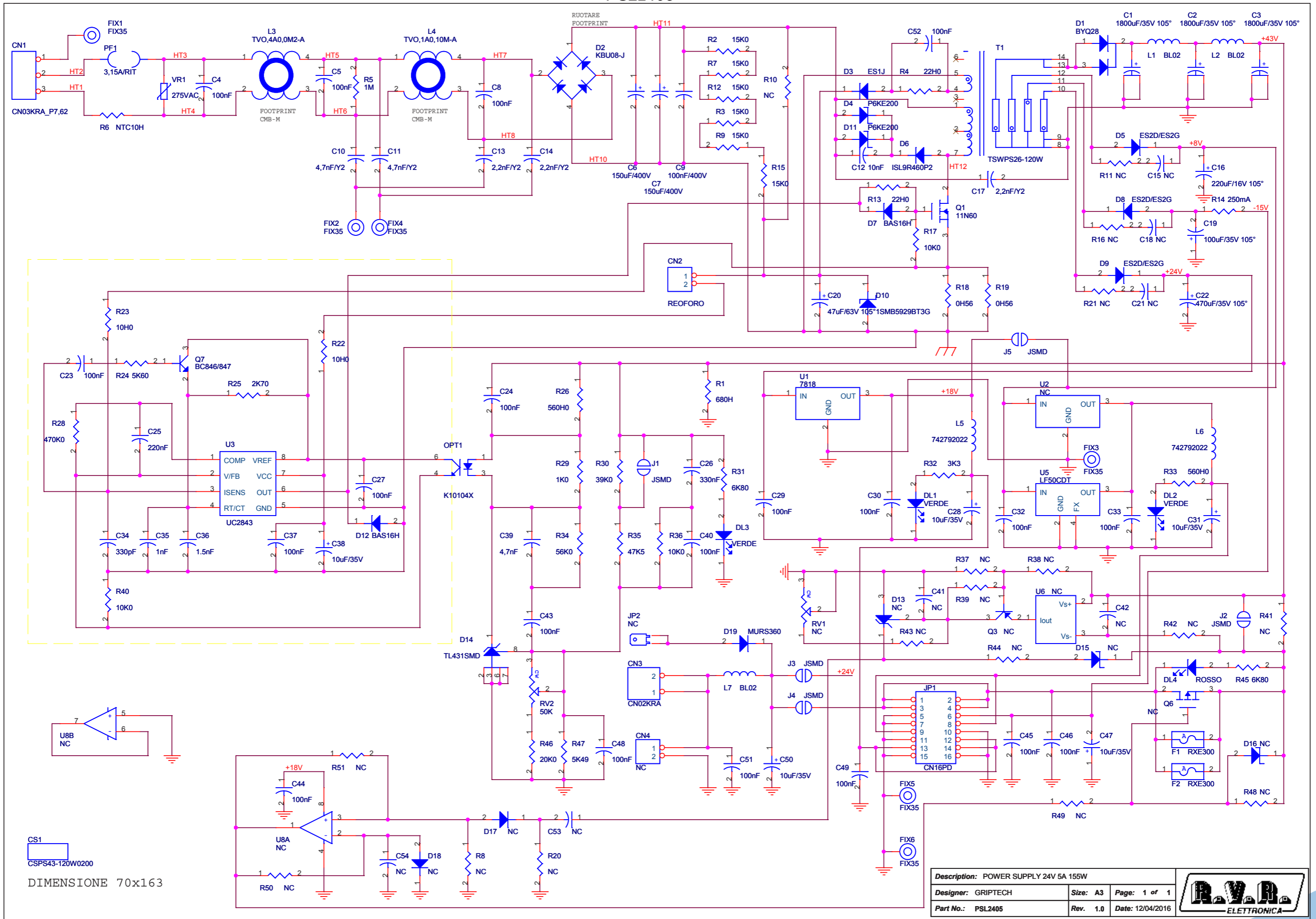
Fig 6.1

File Name:RSP-2000-SPEC 2013-11-01

PSL2405



PSL2405



CS1
CSPS43-120W0200
DIMENSIONE 70x163

Description: POWER SUPPLY 24V 5A 155W		
Designer: GRIPTECH	Size: A3	Page: 1 of 1
Part No.: PSL2405	Rev.: 1.0	Date: 12/04/2016



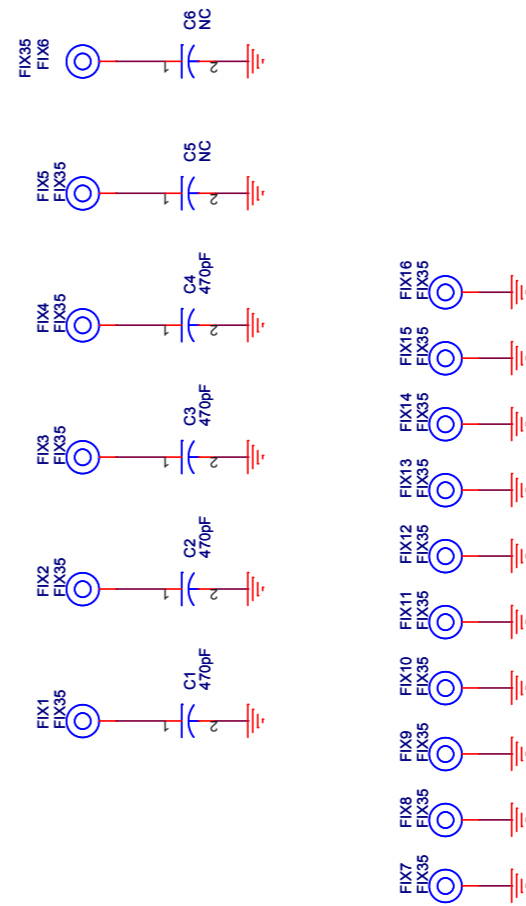
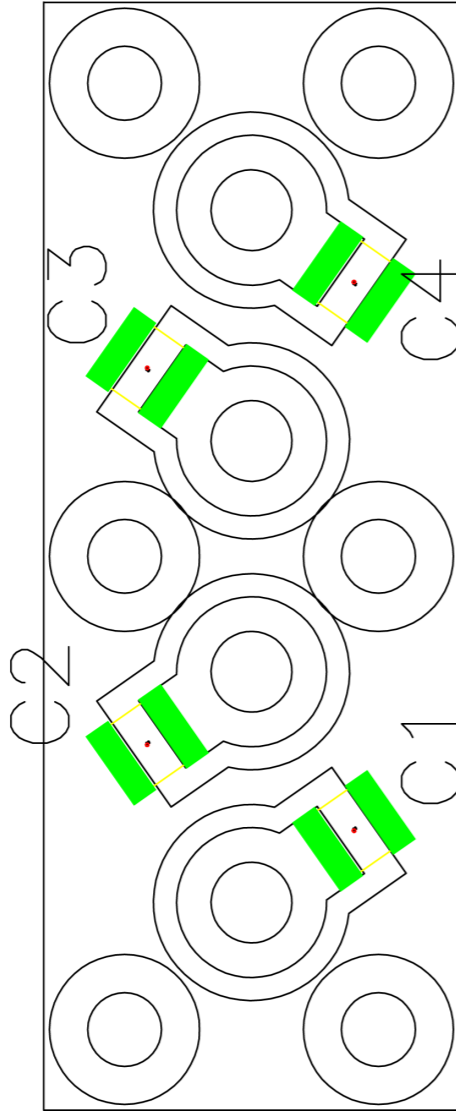
PSL2405

POWER SUPPLY 24V 5A 155A
PSL2405
12/04/2016 REV.1.0

Item	Quantity	Reference	Part	(description)
1	1	CN1	CN03KRA_P7,62	Conn. tipo KRA a 3 poli
2	1	CN2	REOFORO	Connettore 2 poli Lumberg MSF p 2.5mm
3	1	CN3	CN02KRA	Conn. tipo KRA a 2 poli
4	1	CN4	NC	Connettore 2 poli Lumberg MSF p 2.5mm
5	1	CS1	CSPS43-120W0200	Circuito stampato
6	3	C1, C2, C3	1800uF/35V 105°	Cond. Elettr. Dia 16 105°C
7	3	C4, C5, C8	100nF	Cond. Poliestere p 15mm
8	2	C7, C6	150uF/400V	Cond. Elettr. Dia 30 P10
9	1	C9	100nF/400V	Cond. Poliestere p 15mm
10	2	C11, C10	4.7nF/Y2	Cond. ceramico p 7mm Y2
11	1	C12	10nF	Cond. ceramico p 7mm Y2
12	3	C13, C14, C17	2.2nF/Y2	Cond. ceramico p 7mm Y2
13	7	C15, C18, C21, C41, C42, C53, C54	NC	Cond. SMD 0805
14	1	C16	220uF/16V 105°	Cond. Elettr. Dia 8 P3
15	1	C19	100uF/35V 105°	Cond. Elettr. Dia 8 P3
16	1	C20	47uF/63V 105°	Cond. Elettr. Dia 8 P3
17	1	C22	470uF/35V 105°	Cond. Elettr. Dia 10 P5.08
18	17	C23, C24, C27, C29, C30, C32, C33, C37, C40, C43, C44, C45, C46, C48, C49, C51, C52	100nF	Cond. SMD 0805
19	1	C25	220nF	Cond. SMD 0805
20	1	C26	330nF	Cond. SMD 0805
21	5	C28, C31, C38, C50, C47	10uF/35V	Cond. Elettr. SMD d. 4mm
22	1	C34	330pF	Cond. SMD 0805
23	1	C35	1nF	Cond. SMD 0805
24	1	C36	1.5nF	Cond. SMD 0805
25	1	C39	4.7nF	Cond. SMD 0805
26	3	DL1, DL2, DL3	VERDE	LED Verde SMD 0805
27	1	DL4	ROSSO	LED Verde SMD 0805
28	1	D1	BYQ28	Doppio diodo TO220
29	1	D2	KBU08-J	Ponte diodi KBL/KBU
30	1	D3	ES1J	Diodo SMD cont. SMA
31	2	D11, D4	P6KE200	1W Zener Diode
32	3	D5, D8, D9	ES2D/ES2G	Diodo SMD cont. SMB
33	1	D6	ISL9R460P2	Diodo TO220
34	1	D12	BAS16H	Diodo SMD SOD123F
35	1	D10	1SMB5929BT3G	Diodo SMD cont. SMB
36	4	U6, Q6, U8, D13	NC	
37	1	D14	TL431SMD	SO8 Reference
38	2	D15, D16	NC	MINIMELF SMD Zener Diode
39	2	D17, D18	NC	Diodo SMD cont. SMA
40	1	D19	MURS360	Diodo SMD cont. SMC
41	6	FIX1, FIX2, FIX3, FIX4, FIX5, FIX6	FIX35	Foro fissaggio 3.5mm
42	2	F2, F1	RXE300	Fusibile autoripristinante
43	1	JP1	CN16PD	Conn.M.C.S.Dritto 16P alette.
44	1	JP2	NC	
45	1	J1	JSMD	Pad SMD a saldare
46	4	J2, J3, J4, J5	JSMD	Pad SMD a saldare
47	3	L1, L2, L7	BL02	Induttanza cilindrica
48	1	L3	TVO_4A0,0M2-A	Ind. toroidale modo comune
49	1	L4	TVO_1A0,10M-A	Ind. toroidale modo comune
50	2	L6, L5	742792022	Induttanza SMD 2012 (0805)
51	1	OPT1	K10104X	Optoisolatore SMD SO6
52	1	PF1	3,15A/RIT	Fusibile Busmann LET
53	1	Q1	11N60	Trans. FET N TO220
54	1	Q3	NC	Trans. PNP SOT23
55	1	Q7	BC846/847	Trans. NPN SOT23
56	1	RV1	NC	Trimmer SMD
57	1	RV2	50K	Trimmer SMD
58	1	R1	680H	Res. strato 2W
59	6	R2, R3, R7, R9, R12, R15	15K0	Res. SMD 1206
60	1	R4	22H0	Res. SMD 0805
61	1	R5	1M	Res. SMD 2512 1%
62	1	R6	NTC10H	NTC d. 10mm
63	15	R8, R11, R16, R20, R21, R37, R38, R39, R42, R43, R44, R48, R49, R50, R51	NC	Res. SMD 0805
64	1	R10	NC	Res. strato 2W
65	1	R13	22H0	Res. SMD 1206
66	1	R14	250mA	Fus. SMD 1206
67	3	R17, R36, R40	10K0	Res. SMD 0805
68	2	R18, R19	0H56	Res. strato 2W
69	2	R22, R23	10H0	Res. SMD 0805
70	1	R24	5K60	Res. SMD 0805
71	1	R25	2K70	Res. SMD 0805
72	2	R33, R26	560H0	Res. SMD 0805
73	1	R28	470K0	Res. SMD 0805
74	1	R29	1K0	Res. SMD 0805
75	1	R30	39K0	Res. SMD 0805
76	2	R31, R45	6K80	Res. SMD 0805
77	1	R32	3K3	Res. SMD 0805
78	1	R34	56K0	Res. SMD 0805
79	1	R35	47K5	Res. SMD 0805
80	1	R41	NC	Res. SMD 1206
81	1	R46	20K0	Res. SMD 0805
82	1	R47	5K49	Res. SMD 0805
83	1	T1	TSWPS26-120W	Trasformatore
84	1	U1	7818	Stabilizzatore TO220
85	1	U2	NC	Stabilizzatore TO220
86	1	U3	UC2843	Reg. switching
87	1	U5	LF50CDT	Stabilizzatore SMD DPAK
88	1	YR1	275VAC	Varistor dia. 7mm
89	1	D7	BAS16H	Diodo SMD SOD323

SL176FI1001

SL176FI1001



CS1
CSPAS1

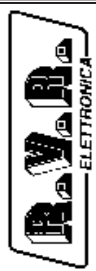
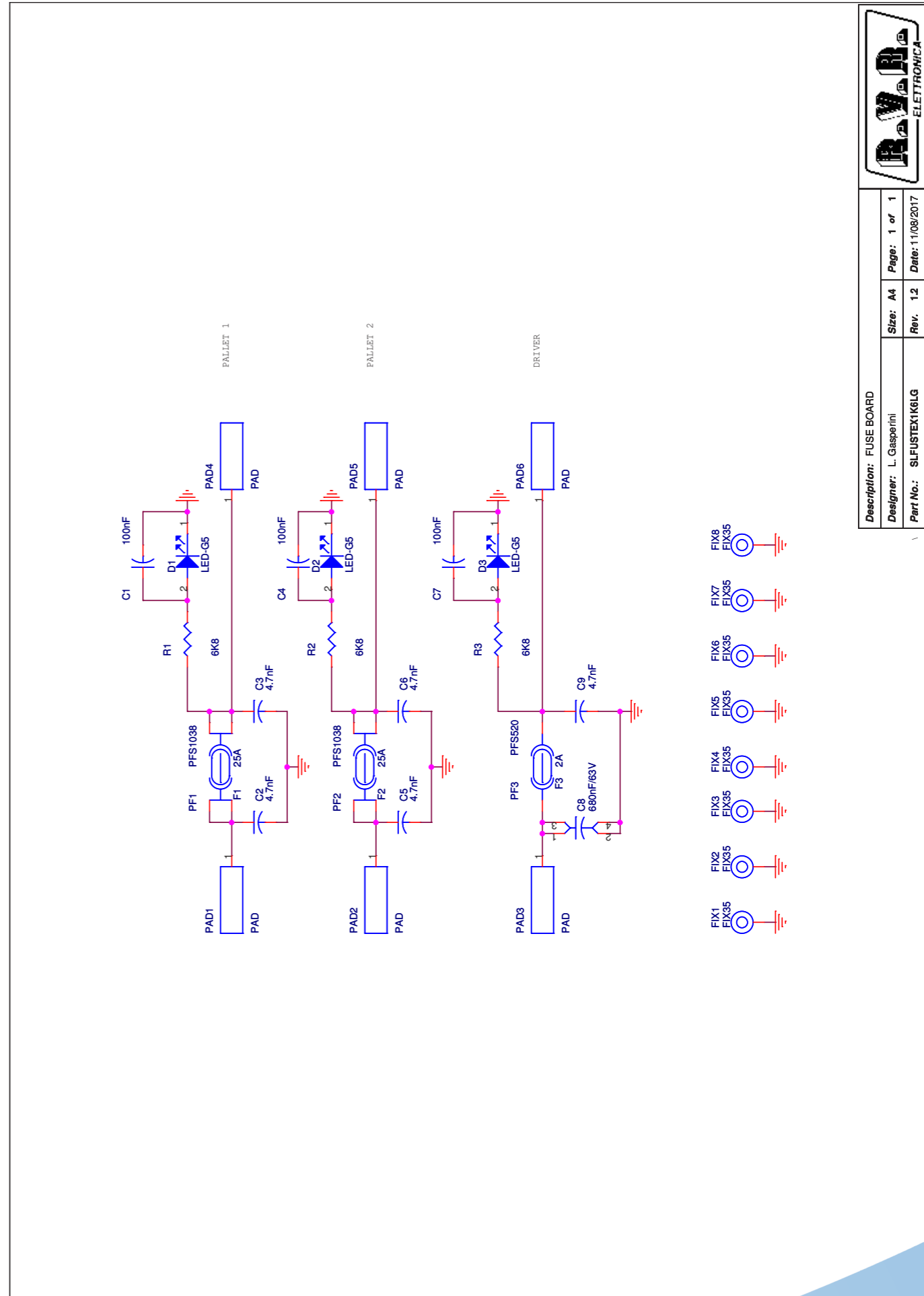
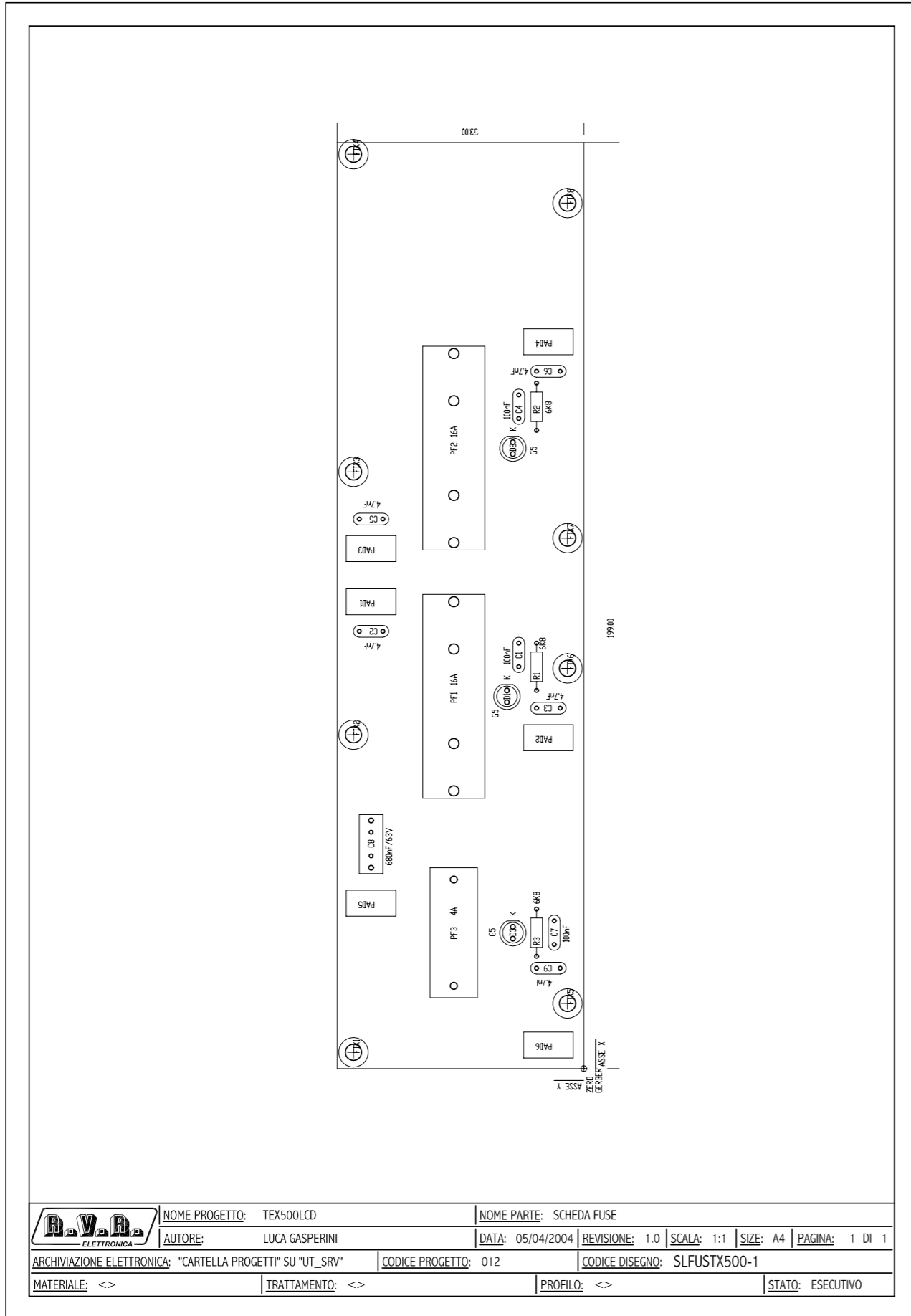
Project Name: TEX2000	Page: 1 of 1	Size: A4
Designer: Luca Gasparini	Project Code: 176	
File Location: \\	Date: Friday, November 11, 2016	
Folder/File: /	Revision: 1.1	
	Description: Passaparete	
	Part No.: SL176FI1001	

SL176FI1001

Passaparete Revised: 13/11/2015
 SL176FI1001 Revision: 1.1
 TEX2000
 Luca Gasperini

Item	Quantity	Reference	Part
1	1	CS1	CSPAS'
2	4	C1, C2, C3, C4	470pF
3	16	FIX1, FIX2, FIX3, FIX4, FIX5, FIX6, FIX7, FIX8, FIX9, FIX10, FIX11, FIX12, FIX13, FIX14, FIX15, FIX16	FIX35
3	2	C5, C6	NC

SLFUSTEX1K6LG



Description: FUSE BOARD	Size: A4	Page: 1 of 1
Designer: L. Gasperini	Rev. 1.2	Date: 11/08/2017
Part No.: SLFUSTEX1K6LG		

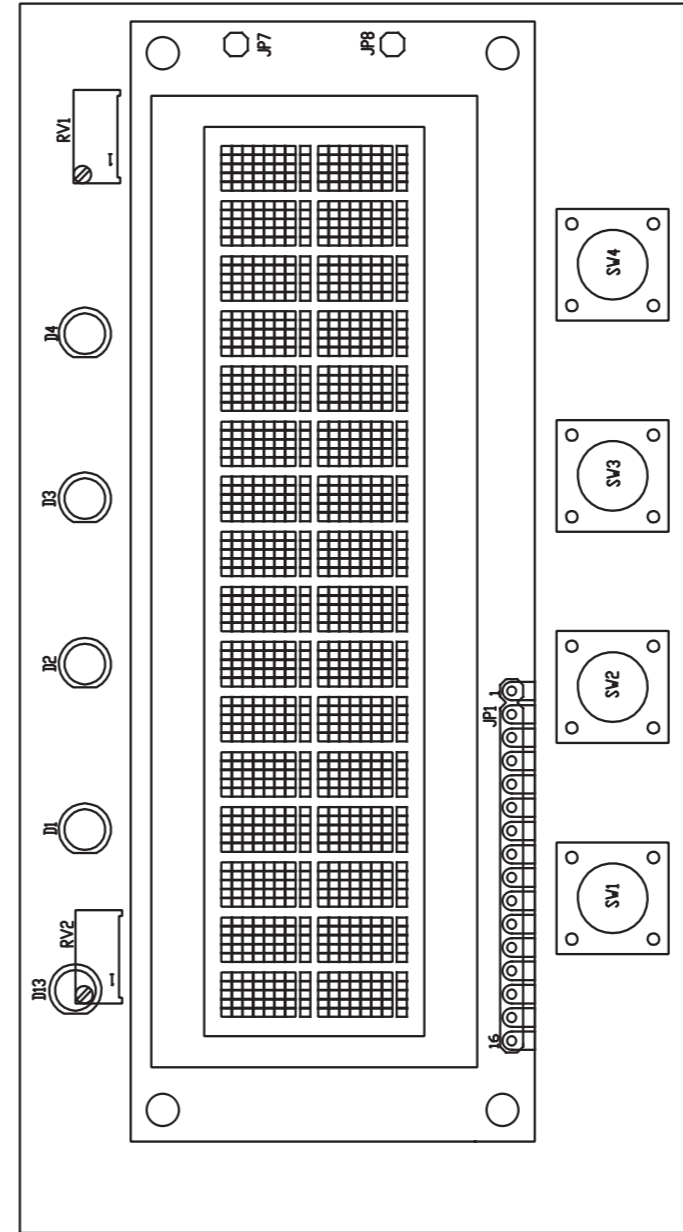
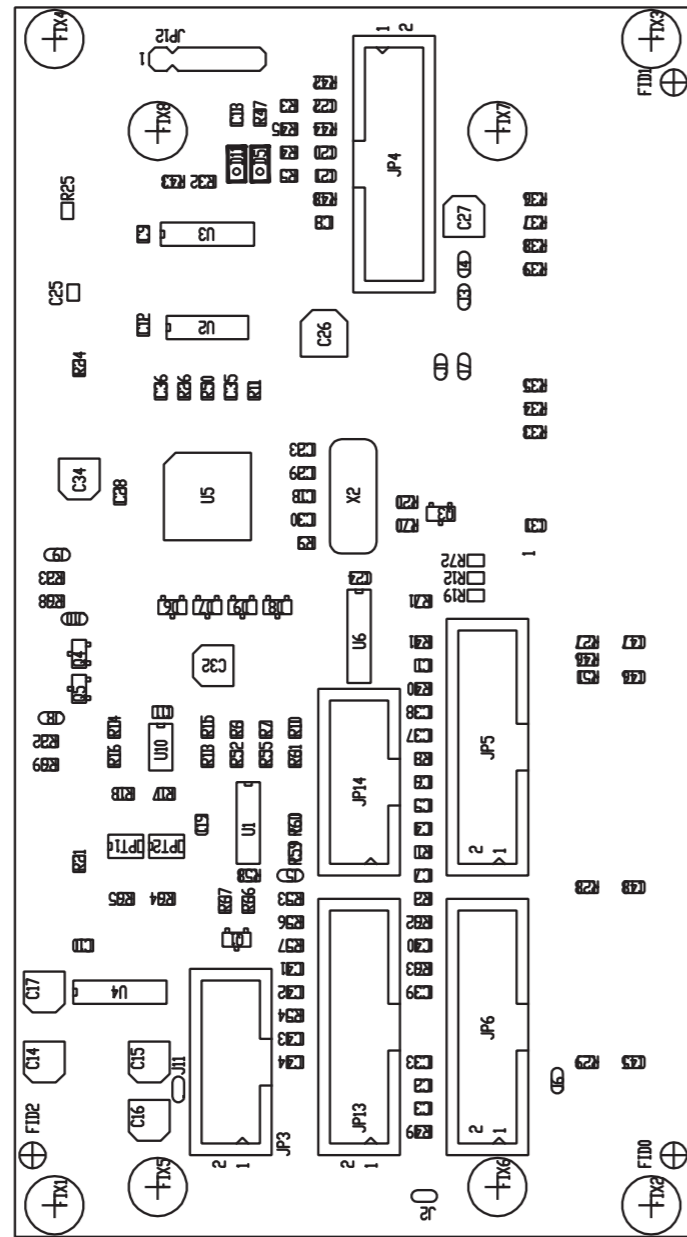
R.V.R. ELETTRONICA	NOME PROGETTO: TEX500LCD	NOME PARTE: SCHEDA FUSE
	AUTORE: LUCA GASPERINI	DATA: 05/04/2004 REVISIONE: 1.0 SCALA: 1:1 SIZE: A4 PAGINA: 1 DI 1
ARCHIVIAZIONE ELETTRONICA: "CARTELLA PROGETTI" SU "UT_SRV"		CODICE PROGETTO: 012 CODICE DISEGNO: SLFUSTX500-1
MATERIALE: <>	TRATTAMENTO: <>	PROFILO: <> STATO: ESECUTIVO


SLFUSTEX1K6LG

FUSE BOARD Revised: 11/08/2017
 SLFUSTEX1K6LG Revision: 1.2
 L. Gasperini

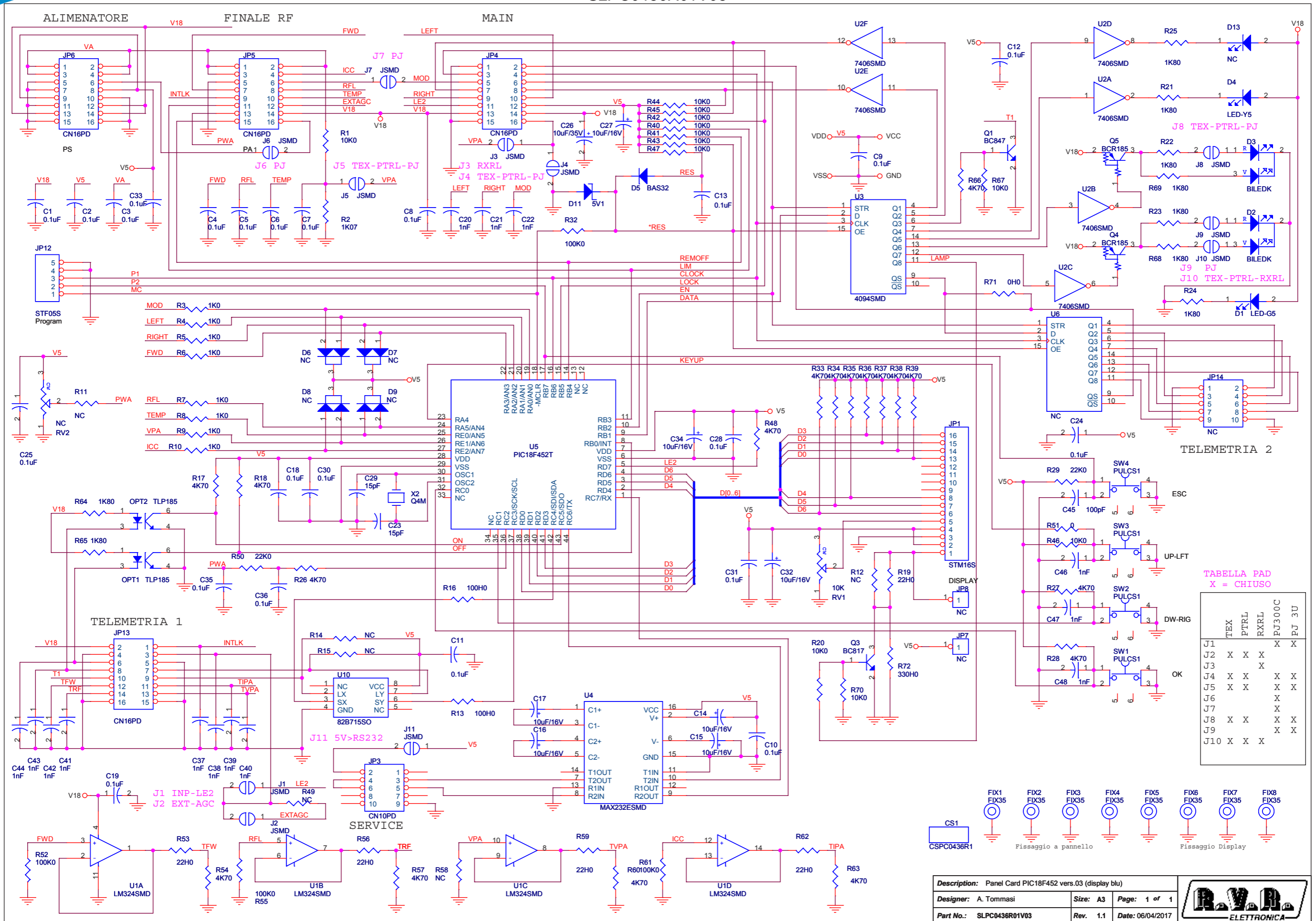
Item	Quantity	Reference	Part	Description
1	3	C1, C4, C7	100nF	Cond. ceramico multistrato p 5mm
2	5	C2, C3, C5, C6, C9	4.7nF	Cond. ceramico p 5mm
3	1	C8	680nF/63V	Cond. Poli. p 5/7.5/10mm
4	3	D1, D2, D3	LED-G5	LED Verde dia. 5mm
5	8	FIX1, FIX2, FIX3, FIX4, FIX5, FIX6, FIX7, FIX8	FIX35	Foro fissaggio 3.5mm
6	2	F1, F2	25A	Fusibile rapido 10x38mm
7	1	F3	2A	Fusibile rapido 5x20mm
8	6	PAD7, PAD8, PAD9, PAD10, PAD11, PAD12	PAD	Pad a saldare 5x10 mm
9	2	PF2, PF1	PFS1038	Portafusibile 10x38
10	1	PF3	PFS520	Portafusibile 5x20
11	3	R1, R2, R3	6K8	Res. 1/4W

SLPC0436R01V03



	PRODUCT NAME: TEX-LCD, P-J-LCD, LINK, URP	PART NAME: SEM.SCH.PANEL CARD PIC18F452
DESIGNER: A. TOMMASI	DATE: 03/09/15	REVISION: 1.0
ARCHIVING: 'RVRUT' SERVER, 'RILASCIATI' FOLDER	PROJECT CODE: <	DOCUMENT CODE: SLPC0436R01V01
	SCALE: 1:1	SIZE: A4
	PAGE: 1	DI: 1

SLPC0436R01V03



TELEMETRIA 2

TABELLA PAD
X = CHIUSO

	TEX	PTRL	RXRL	PJ300C	PJ 3U
J1	X	X	X	X	X
J2	X	X	X		
J3			X		
J4	X	X		X	X
J5	X	X		X	X
J6				X	
J7				X	
J8	X	X		X	X
J9				X	X
J10	X	X	X		

Description: Panel Card PIC18F452 vers.03 (display blu)

Designer: A. Tommasi **Size:** A3 **Page:** 1 of 1

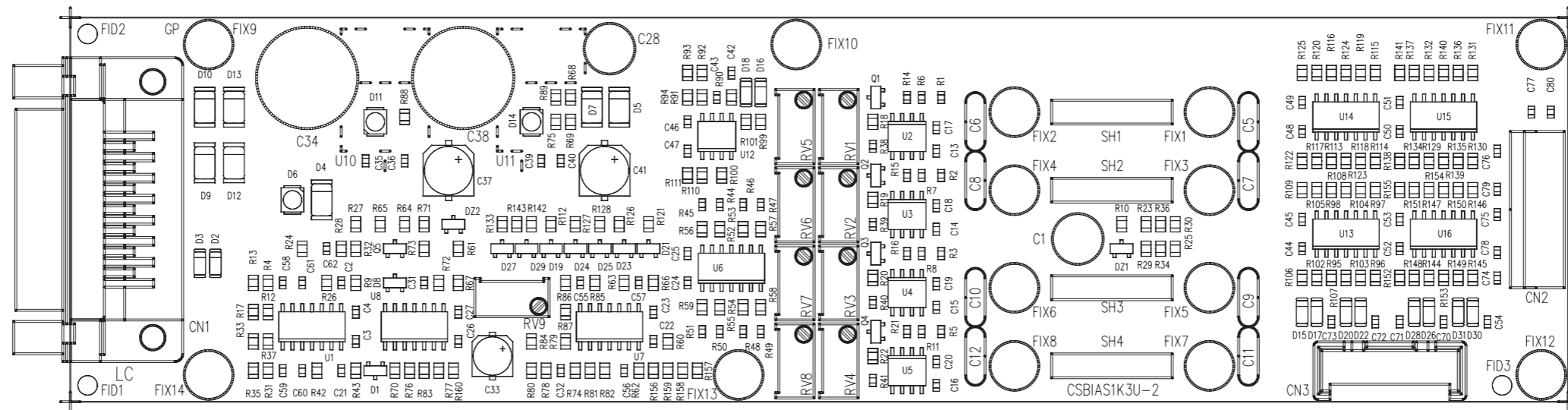
Part No.: SLPC0436R01V03 **Rev.:** 1.1 **Date:** 06/04/2017

SLPC0436R01V03

Panel Card PIC18F452 vers.03 (display blu)
 SLPC0436R01V03 Revision: 1.1
 06/04/2017
 A. Tommasi

Item	Quantity	Reference	Part	Description
1	1	CS1	CSPC0436R1	Circuito stampato
2	23	C1,C2,C3,C4,C5,C6,C7,C8,C9,C10,C11,C12,C13,C18,C19,C24,C25,C28,C30,C31,C33,C35,C36	0.1uF	Cond. SMD 0805
3	7	C14,C15,C16,C17,C27,C32,C34	10uF/16V	Cond. Elett. SMD d. 4mm
4	14	C20,C21,C22,C37,C38,C39,C40,C41,C42,C43,C44,C46,C47,C48	1nF	Cond. SMD 0805
5	2	C23,C29	15pF	Cond. SMD 0805
6	1	C26	10uF/35V	Cond. Elett. SMD d. 5mm
7	1	C45	100pF	Cond. SMD 0805
8	1	D1	LED-G5	LED Verde dia. 5mm
9	2	D2,D3	BILEDK	Doppio led V-R 5mm Catodo com.
10	1	D4	LED-Y5	LED Giallo dia. 5mm
11	1	D5	BAS32	MINIMELF SMD Diode
12	4	D6,D7,D8,D9	NC	Doppio Diodo SMD SOT23
13	1	D11	5V1	MINIMELF SMD Zener Diode
14	1	D13	NC	LED Giallo dia. 5mm
15	8	FIX1,FIX2,FIX3,FIX4,FIX5,FIX6,FIX7,FIX8	FIX35	Foro fissaggio 3.5mm
16	1	JP1	STM16S	Strip femmina 16 pin
17	1	JP3	CN10PD	Connettore 10 poli Flat cs
18	4	JP4,JP5,JP6,JP13	CN16PD	Connettore 16 poli Flat cs
19	2	JP7,JP8	NC	Strip femmina 1 pin
20	1	JP12	STF05S	Strip femmina 5 pin
21	1	JP14	NC	Connettore 10 poli Flat cs
22	11	J1,J2,J3,J4,J5,J6,J7,J8,J9,J10,J11	JSMD	Pad SMD a saldare
23	2	OPT1,OPT2	TLP185	Optoisolatore SMD SO6
24	1	Q1	BC847	Trans. NPN SOT23
25	1	Q3	BC817	Trans. NPN SOT23
26	2	Q4,Q5	BCR185	Trans./Res. PNP SOT23
27	1	RV1	10K	Trimmer Rg V 3296W
28	1	RV2	NC	Trimmer Rg V 3296W
29	12	R1,R20,R40,R41,R42,R43,R44,R45,R46,R47,R67,R70	10K0	Res. SMD 0805 1%
30	1	R2	1K07	Res. SMD 0805 1%
31	8	R3,R4,R5,R6,R7,R8,R9,R10	1K0	Res. SMD 0805 1%
32	6	R11,R12,R14,R15,R49,R58	NC	Res. SMD 0805 1%
33	2	R13,R16	100H0	Res. SMD 0805 1%
34	18	R17,R18,R26,R27,R28,R33,R34,R35,R36,R37,R38,R39,R48,R54,R57,R60,R63,R66	4K70	Res. SMD 0805 1%

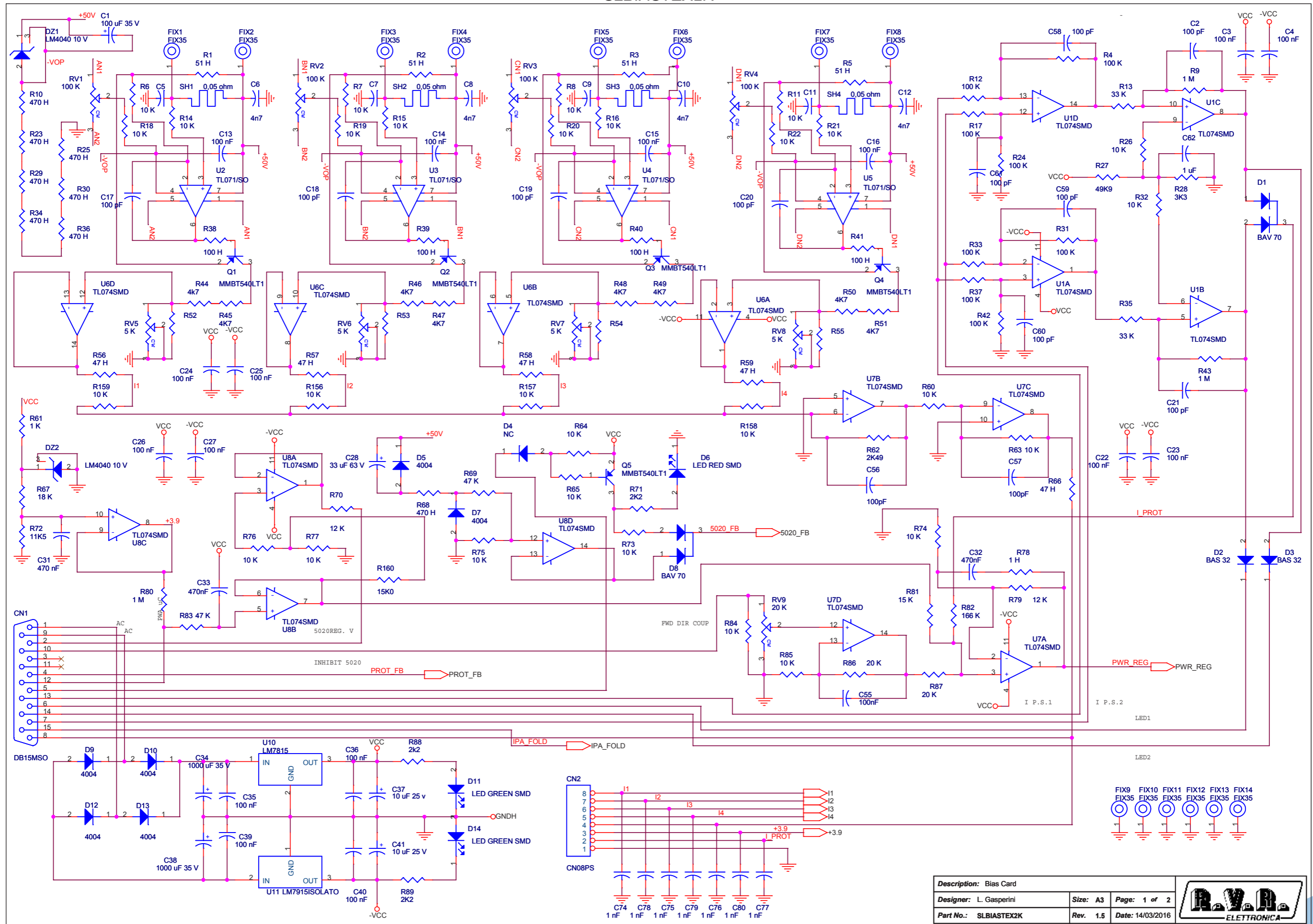
35	5	R19,R53,R56,R59,R62	22H0	Res. SMD 0805 1%
36	9	R21,R22,R23,R24,R25,R64,R65,R68,R69	1K80	Res. SMD 0805 1%
37	2	R29,R50	22K0	Res. SMD 0805 1%
38	4	R32,R52,R55,R61	100K0	Res. SMD 0805 1%
39	2	R51,R71	0H0	Res. SMD 0805 1%
40	1	R72	330H0	Res. SMD 0805 1%
41	4	SW1,SW2,SW3,SW4	PULCS1	Pulsante cs
42	1	U1	LM324SMD	Quad Op. SMD SO14
43	1	U2	7406SMD	Hex inv OC SMD SO14
44	1	U3	4094SMD	Shift Reg. SMD SO16
45	1	U4	MAX232ESMD	RS232 Driver SMD SO16
46	1	U5	PIC18F452T	TQFP44 SMD Microprocessor
47	1	U6	NC	Shift Reg. SMD SO16
48	1	U10	82B715SO	IIC Bus driver SMD SO8
49	1	X2	Q4M	Quarzo SMD HC49SMD



Nome Progetto: TEX1000		Pagina: 1 di 1		Size: A4
Autore: Ufficio Tecnico		Data: 22/01/04	Codice Progetto: 010	
Nome PC in Rete: \\UT_SRV\PROGETTI		Revisione: 1.2	Nome Parte: Scheda Bias TEX1000/PJ1000C	
File/Cartella: MANUALI\TEX1000\SLBIAS1K3U-2\bias1k3u-2.dwg		Autorizzazione:	Codice: SLBIAS1K3U-2	
Scala: /	Materiale: /	Trattamento: /	Profilo: /	



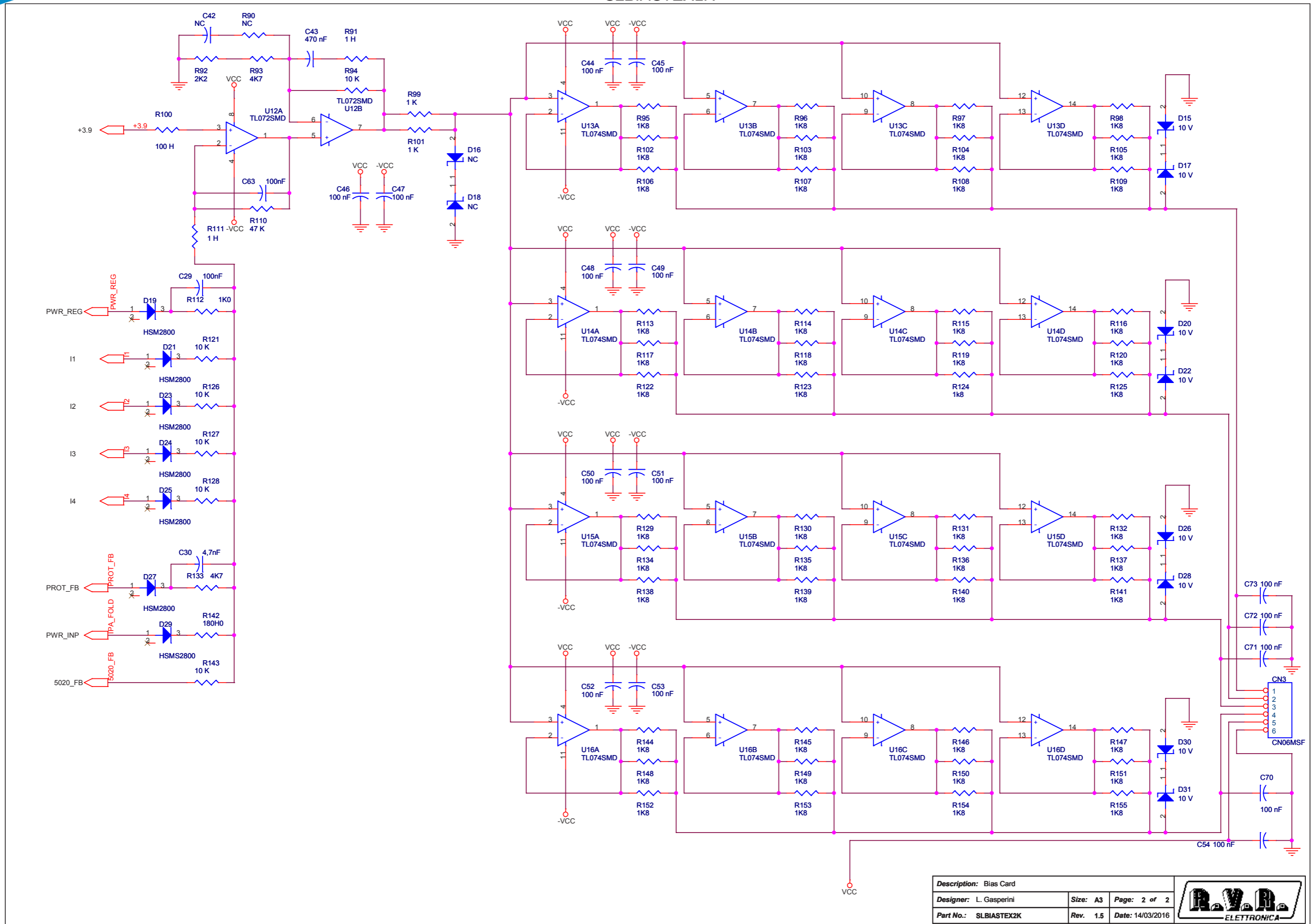
SLBIASTEX2K



Description: Bias Card		
Designer: L. Gasperini	Size: A3	Page: 1 of 2
Part No.: SLBIASTEX2K	Rev.: 1.5	Date: 14/03/2016



SLBIATESTX2K



Description: Bias Card		
Designer: L. Gasperini	Size: A3	Page: 2 of 2
Part No.: SLBIATESTX2K	Rev. 1.5	Date: 14/03/2016

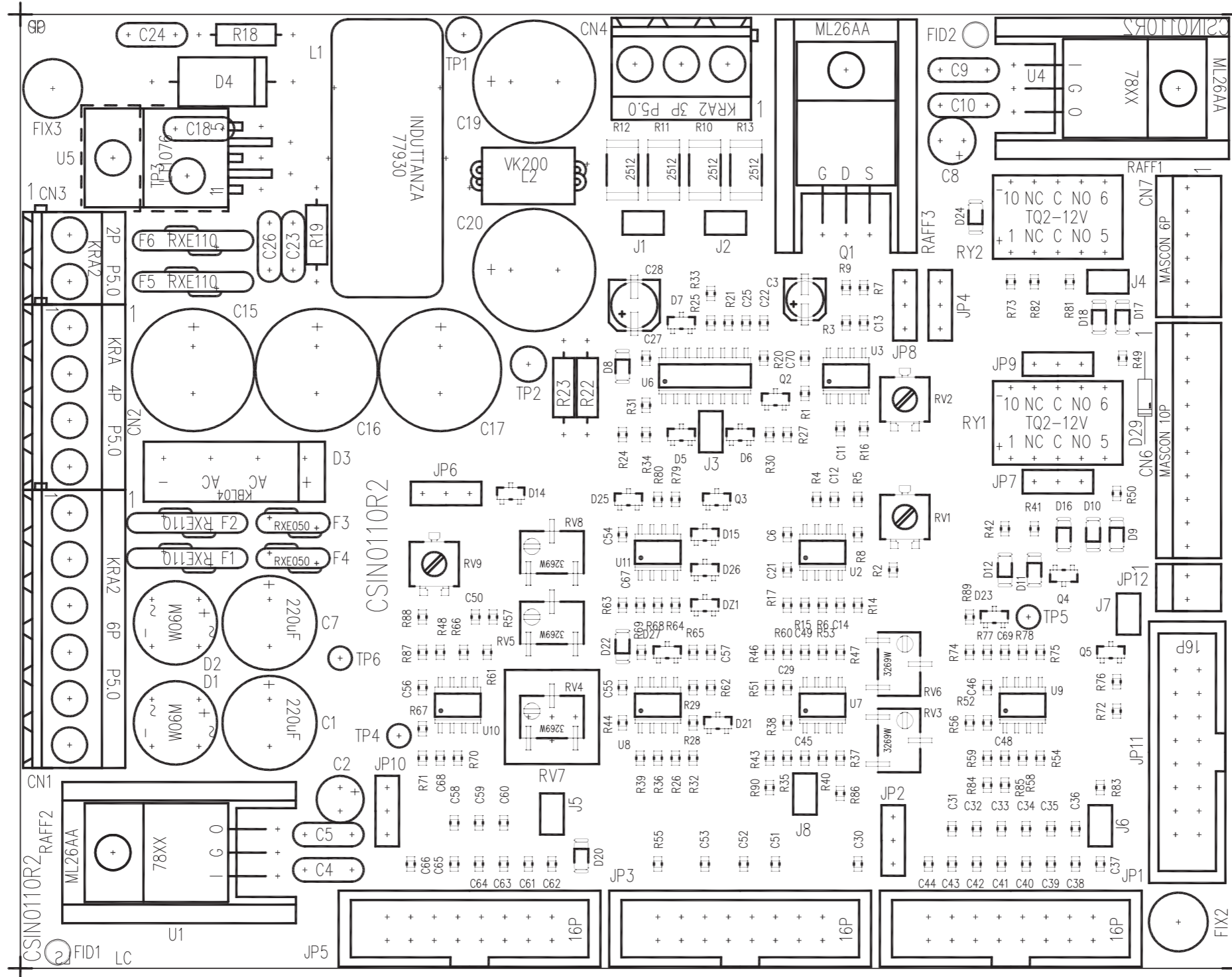


SLBIATESTX2K

BIAS Card Revised: 14/03/2016
 SLBIATESTX2K Revision: 1.5
 L. Gasperini

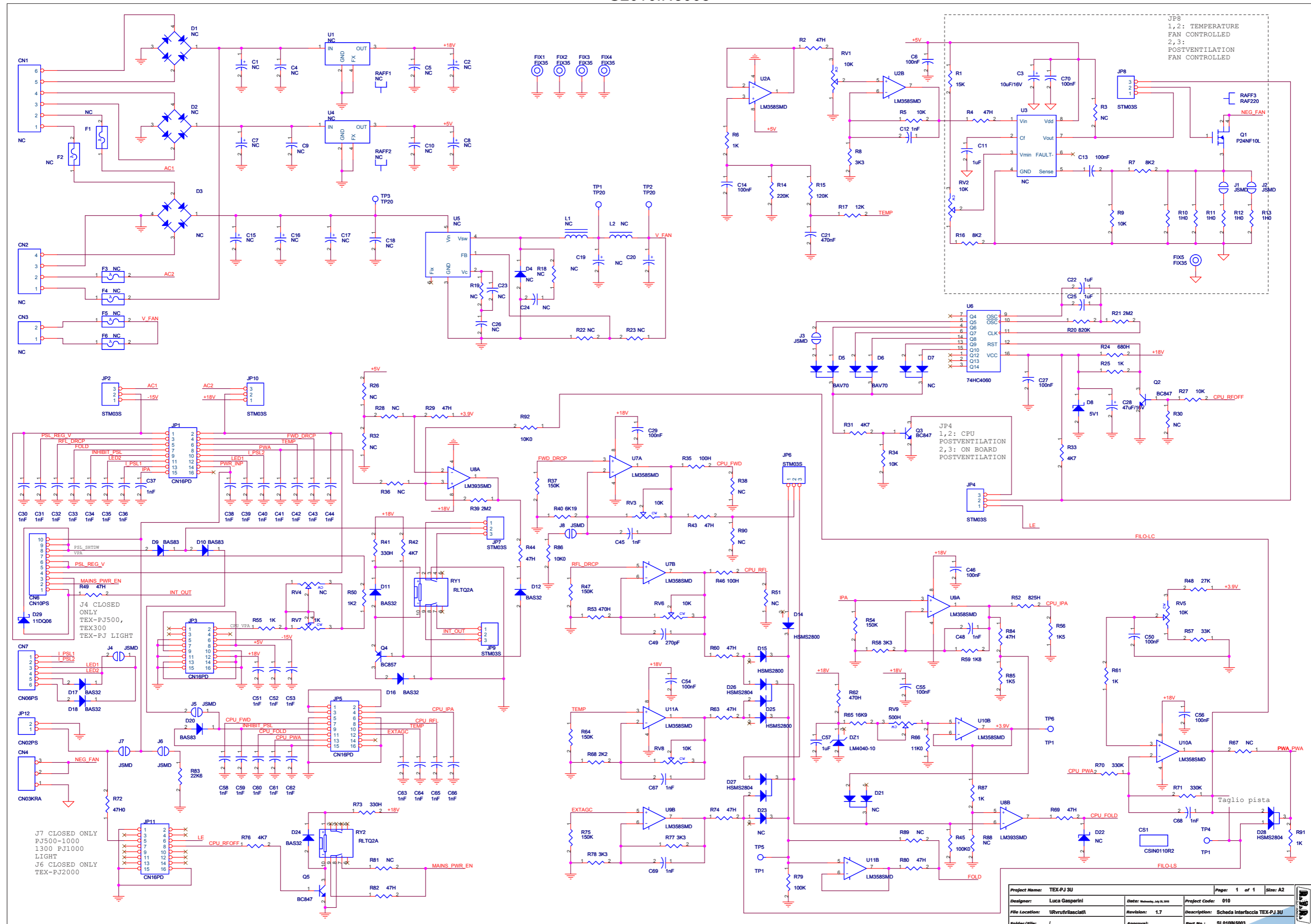
Item	Q.ty	Reference	Part
1	1	CN1	DB15MSO
2	1	CN2	CN08PS
3	1	CN3	CN06MSF
4	1	C1	100 uF 35 V
5	12	C2, C17, C18, C19, C20, C21, C56, C57, C58, C59, C60, C61	100 pF
6	31	C3, C4, C13, C14, C15, C16, C22, C23, C24, C25, C26, C27, C35, C36, C39, C40, C44, C45, C46, C47, C48, C49, C50, C51, C52, C53, C54, C70, C71, C72, C73, C55, C29, C63	100 nF
7	8	C5, C6, C7, C8, C9, C10, C11, C12, C30	4n7
8	1	C28	33 uF 63 V
9	2	C31, C43, C32	470 nF
10	2	C37, C41	10 uF 25 V
10A	1	C33	470nF
11	2	C34, C38	1000 uF 35 V
12	7	C42, R90, R142, D16, D18, D4	NC
13	8	C74, C75, C76, C77, C78, C79, C80	1 nF
14	1	C62	1 uF
15	2	DZ2, DZ1	LM4040 10 V
16	2	D8, D1	BAV 70
17	2	D3, D2	BAS 32
18	7	D5, D7, D9, D10, D12, D13	4004
19	3	D6	LED SMD RED 3X2,6 MM
20		D11, D14	LED SMD GREEN 3X2,6 MM
21	8	D15, D17, D20, D22, D26, D28, D30, D31	10 V
22	6	D19, D21, D23, D24, D25, D27, D29	HSM2800
23	14	FIX1, FIX2, FIX3, FIX4, FIX5, FIX6, FIX7, FIX8, FIX9, FIX10, FIX11, FIX12, FIX13, FIX14	FIX35
24	5	Q1, Q2, Q3, Q4, Q5	MMBT540LT1
25	4	RV1, RV2, RV3, RV4	100K
26	4	RV5, RV6, RV7, RV8	5K
27	1	RV9	20K
28	4	R1, R2, R3, R5	51 H
29	8	R4, R12, R17, R24, R31, R33, R37, R42	100 K
30	35	R6, R7, R8, R11, R14, R15, R16, R18, R19, R20, R21, R22, R26, R32, R60, R63, R64, R65, R73, R74, R75, R76, R77, R84, R85, R94, R121, R126, R127, R128, R143, R156, R157, R158, R159	10 K
31	3	R9, R43, R80	1 M
32	8	R10, R23, R25, R29, R30, R34, R36, R68	470 H
33	2	R35, R13	33 K
34	1	R27	49K9
35	1	R28	3K3
36	5	R38, R39, R40, R41, R100	100 H
37	14	R44, R45, R46, R47, R48, R49, R50, R51, R52, R53, R54, R55, R93, R133	4K7
38	5	R56, R57, R58, R59, R66	47 H
39	3	R61, R99, R101, R112	1 K
40	1	R62	2K49
41	1	R67	18 K
42	3	R69, R83, R110	47 K
43	2	R70, R79	12 K
44	5	R71, R88, R89, R92	2K2
45	1	R72	11K5
46	3	R78, R91, R111	1 H
47	1	R81, R160	15 K

Item	Q.ty	Reference	Part
48	1	R82	165 K
49	2	R86, R87	20 K
50	48	R95, R96, R97, R98, R102, R103, R104, R105, R106, R107, R108, R109, R113, R114, R115, R116, R117, R118, R119, R120, R122, R123, R124, R125, R129, R130, R131, R132, R134, R135, R136, R137, R138, R139, R140, R141, R144, R145, R146, R147, R148, R149, R150, R151, R152, R153, R154, R155	1K8
51	1	R142	180 H
52	4	SH1, SH2, SH3, SH4	0,05 ohm
53	8	U1, U6, U7, U8, U13, U14, U15, U16	TL074SMD
54	4	U2, U3, U4, U5	TL071/SO
55	1	U10	LM7815
56	1	U11	LM7912ISOLATO
57	1	U12	TL072SMD



	PRODUCT NAME:	TEX-LCD	PART NAME:	INTERFACE CARD					
	DESIGNER:	L. GASPERINI	DATE:	29/07/2015					
ARCHIVING:	"RVRUT" SERVER, "RILASCIATI" FOLDER	REVISION:	1.1	SCALE:	2:1	SIZE:	A3	PAGE:	1 DI 1
PROJECT CODE:		010		DOCUMENT CODE:		SL010IN5003			

SL010IN5003



Project Name:	TEX-PJ 3U	Page:	1 of 1	Size:	A2
Designer:	Luca Gasparini	Date:	2008/07/28	Project Code:	010
File Location:	WVvrvr\frilasciat\	Revision:	1.7	Description:	Scheda interfaccia TEX-PJ 3U
Folder/File:	/	Approved:		Part No.:	SL010IN5003

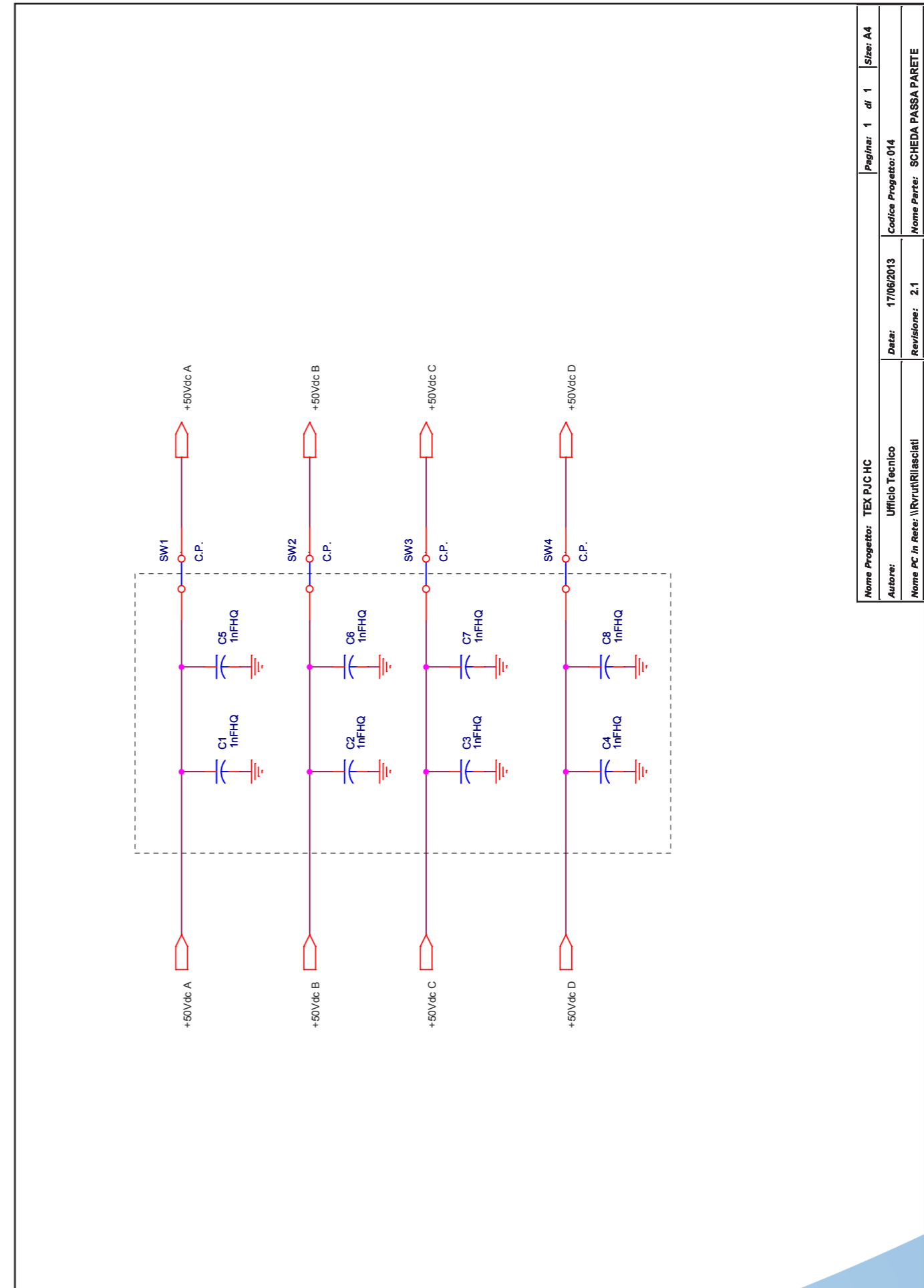
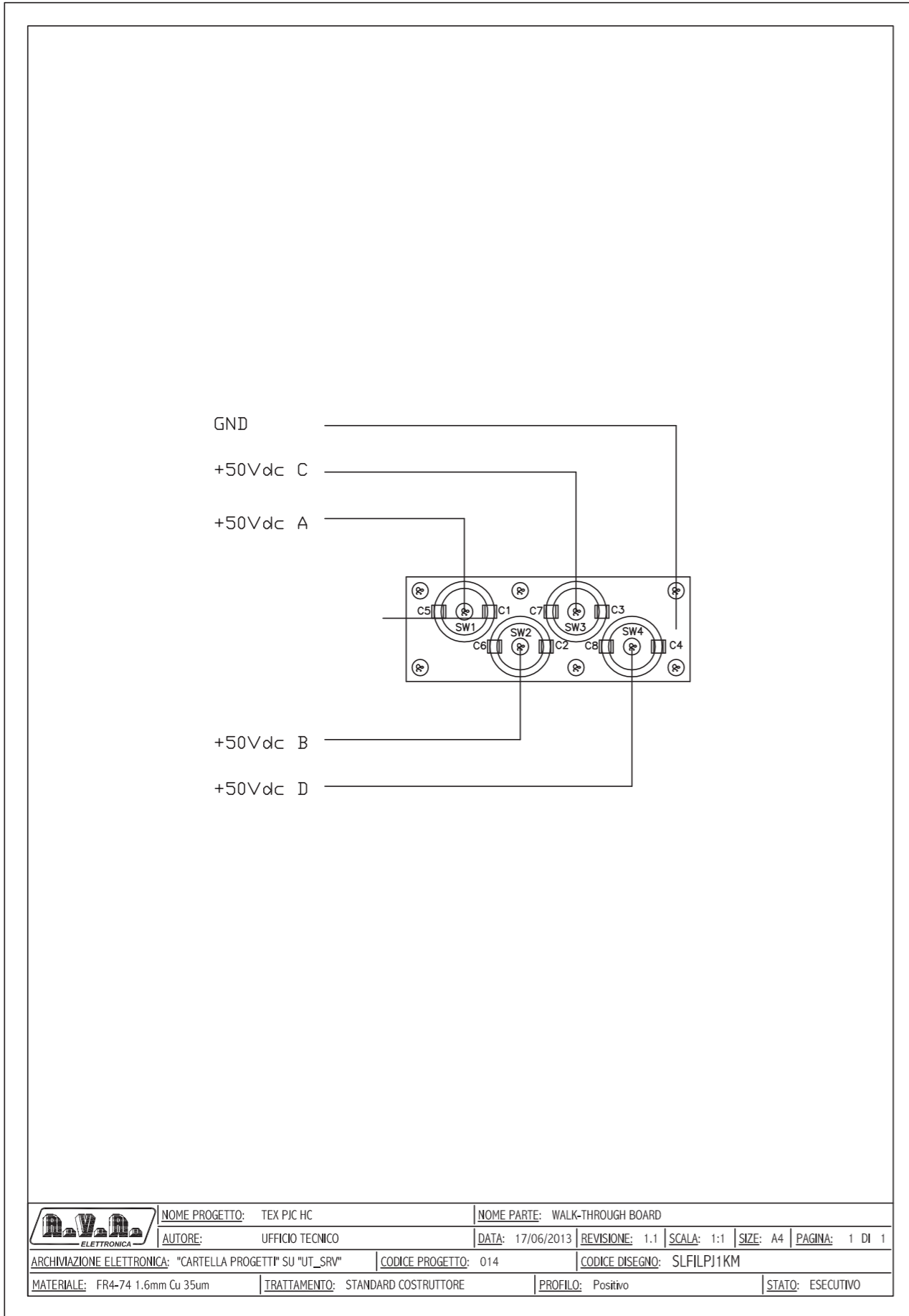
SL010IN5003

Scheda interfaccia TEX-PJ 3U Revised: 29/07/2015
 SL010IN5003 Revision: 1.7
 Luca Gasperini
 TEX-PJ 3U

Item	Quantity	Reference	Part	Description
1	1	CN1	NC	Conn. tipo KRA a 6 poli
2	1	CN2	NC	Conn. tipo KRA a 4 poli
3	1	CN3	NC	Conn. tipo KRA a 2 poli
4	1	CN4	CN03KRA	Conn. tipo KRA a 3 poli
5	1	CN6	CN10PS	Connettore 10 poli Mascon
6	1	CN7	CN06PS	Connettore 6 poli Mascon
7	1	CS1	CSIN0110R2	Circuito stampato
8	2	C1,C7	NC	Cond. Elettr. Dia 10 P5.08
9	2	C2,C8	NC	Cond. Elettr. Dia 5 P2.54
10	1	C3	10uF/16V	Cond. Elettr. SMD d. 4mm
11	8	C4,C5,C9,C10,C18,C23,C24,C26	NC	Cond. ceramico multistrato p 5mm
12	11	C6,C13,C14,C27,C29,C46,C50,C54,C55,C56,C70	100nF	Cond. SMD 0805
13	4	C11,C22,C25,C57	1uF	Cond. SMD 0805
14	33	C12,C30,C31,C32,C33,C34,C35,C36,C37,C38,C39,C40,C41,C42,C43,C44,C45,C48,C51,C52,C53,C58,C59,C60,C61,C62,C63,C64,C65,C66,C67,C68,C69	1nF	Cond. SMD 0805
15	5	C15,C16,C17,C19,C20	NC	Cond. Elettr. Dia 13 P5.08
16	1	C21	470nF	Cond. SMD 0805
17	1	C28	47uF/16V	Cond. Elettr. SMD d. 5mm
18	1	C49	270pF	Cond. SMD 0805
19	1	DZ1	LM4040-10	Diodi Zener SMD SOT23
20	2	D1,D2	NC	Ponte diodi tondi W
21	1	D3	NC	Ponte diodi KBL/KBU
22	1	D4	NC	Diode plastico P600
23	2	D5,D6	BAV70	Doppio Diode SMD SOT23
24	1	D8	5V1	MINIMELF SMD Zener Diode
25	3	D9,D10,D20	BAS83	MINIMELF SMD Diode
26	6	D11,D12,D16,D17,D18,D24	BAS32	MINIMELF SMD Diode
27	3	D14,D15,D25	HSMS2800	Diode SMD SOT23
28	3	D26,D27,D28	HSMS2804	Doppio Diode SMD SOT23
29	1	D22	NC	MINIMELF SMD Zener Diode
30	3	D23, D7, D21	NC	Diode SMD SOT23
31	1	D29	11DQ06	Diode Schottky
32	5	FIX1, FIX2, FIX3, FIX4, FIX5	FIX35	Foro fissaggio 3.5mm
33	1	F1	NC	Fusibile autorip. 13mm
34	5	F2,F3,F4,F5,F6	NC	Fusibile autorip. 7mm
35	4	JP1,JP3,JP5,JP11	CN16PD	Conn.M.C.S.Dritto 16P alette
36	7	JP2,JP4,JP6,JP7,JP8,JP9,JP10	STM03S	Strip maschio 3 pin
37	1	JP12	CN02PS	Connettore 2 poli Mascon
38	8	J1,J2,J3,J4,J5,J6,J7,J8	JSMD	Pad SMD a saldare
39	1	L1	NC	Induttanza toroidale
40	1	L2	NC	Induttanza cilindrica VK200
41	1	Q1	P24NF10L	Trans. FET N TO220
42	3	Q2,Q3,Q5	BC847	Trans. NPN SOT23
43	1	Q4	BC857	Trans. PNP SOT23
44	2	RAFF1,RAFF2	NC	Dissipatore TO220
45	1	RAFF3	RAF220	Dissipatore TO220
46	2	RV1,RV2	10K	Trimmer SMD
47	4	RV3,RV5,RV6,RV8	10K	Trimm. multi SMD 3269
48	1	RV4	NC	Trimm. multi SMD 3269
49	1	RV7	1K	Trimmer Rg V 3386P
50	1	RV9	500H	Trimmer SMD
51	2	RY1,RY2	RLTQ2A	Rele' TQ2

52	1	R1	15K	Res. SMD 0805
53	14	R2,R4,R29,R43,R44,R49,R60,R63,R69,R72,R74,R80,R82,R84	47H	Res. SMD 0805
54	13	R3,R26,R28,R30,R32,R36,R38,R51,R67,R81,R88,R89,R90	NC	Res. SMD 0805
55	6	R5,R9,R27,R34,R86,R92	10K	Res. SMD 0805
56	6	R6,R25,R55,R61,R87,R91	1K	Res. SMD 0805
57	2	R7,R16	8K2	Res. SMD 0805
58	4	R8,R58,R77,R78	3K3	Res. SMD 0805
59	4	R10,R11,R12,R13	1H0	Res. SMD 2512 1%
60	1	R14	220K	Res. SMD 0805
61	1	R15	120K	Res. SMD 0805
62	1	R17	12K	Res. SMD 0805
63	4	R18,R19,R22,R23	NC	Res. 1/4W
64	1	R20	820K	Res. SMD 0805
65	2	R21,R39	2M2	Res. SMD 0805
66	1	R24	680H	Res. SMD 0805
67	4	R31,R33,R42,R76	4K7	Res. SMD 0805
68	2	R35,R46	100H	Res. SMD 0805
69	5	R37,R47,R54,R64,R75	150K	Res. SMD 0805
70	1	R40	6K19	Res. SMD 0805
71	2	R41,R73	330H	Res. SMD 0805
72	2	R45,R79	100K	Res. SMD 0805
73	1	R48	27K	Res. SMD 0805
74	1	R50	1K2	Res. SMD 0805
75	1	R52	825H	Res. SMD 0805
76	2	R53,R62	470H	Res. SMD 0805
77	2	R56,R85	1K5	Res. SMD 0805
78	1	R57	33K	Res. SMD 0805
79	1	R59	1K8	Res. SMD 0805
80	1	R65	16K9	Res. SMD 0805
81	1	R66	11K0	Res. SMD 0805
82	1	R68	2K2	Res. SMD 0805
83	2	R70,R71	330K	Res. SMD 0805
84	1	R83	22K6	Res. SMD 0805
85	3	TP1,TP2,TP3	TP20	Foro dia. 2mm
86	3	TP4,TP5,TP6	TP1	Test point
87	2	U1,U4	NC	Stabilizzatore TO220F Isolato
88	5	U2,U7,U9,U10,U11	LM358SMD	Dual Op. SMD SO8
89	1	U3	NC	Fan controller SO8
90	1	U5	NC	Regolatore switching
91	1	U6	74HC4060	Divider SMD SO16
92	1	U8	LM393SMD	Dual Op. SMD SO8
93	7	Ponticello per connettore strip da CS	JUMPER	JUMPER

SLFILPJ1KM



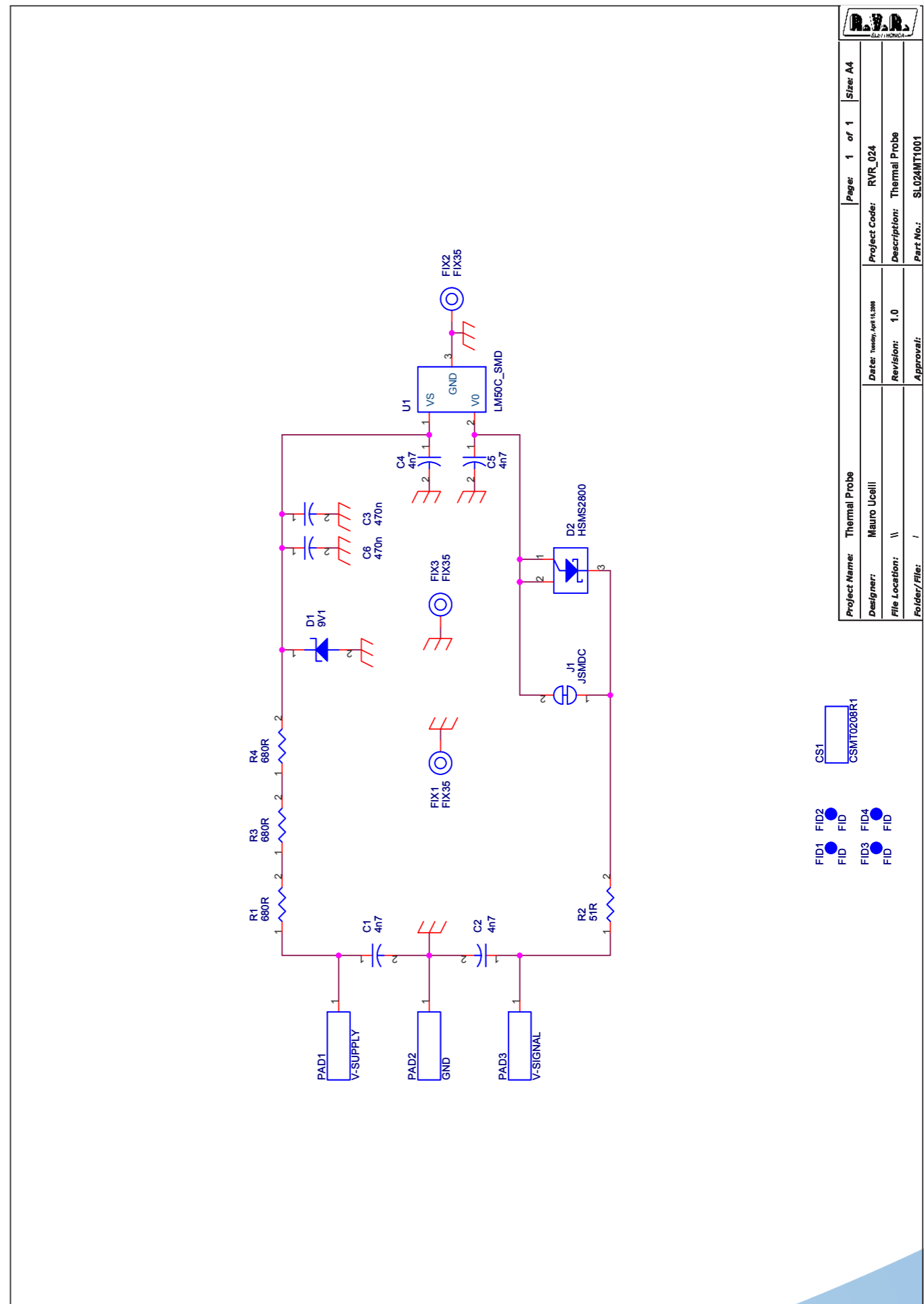
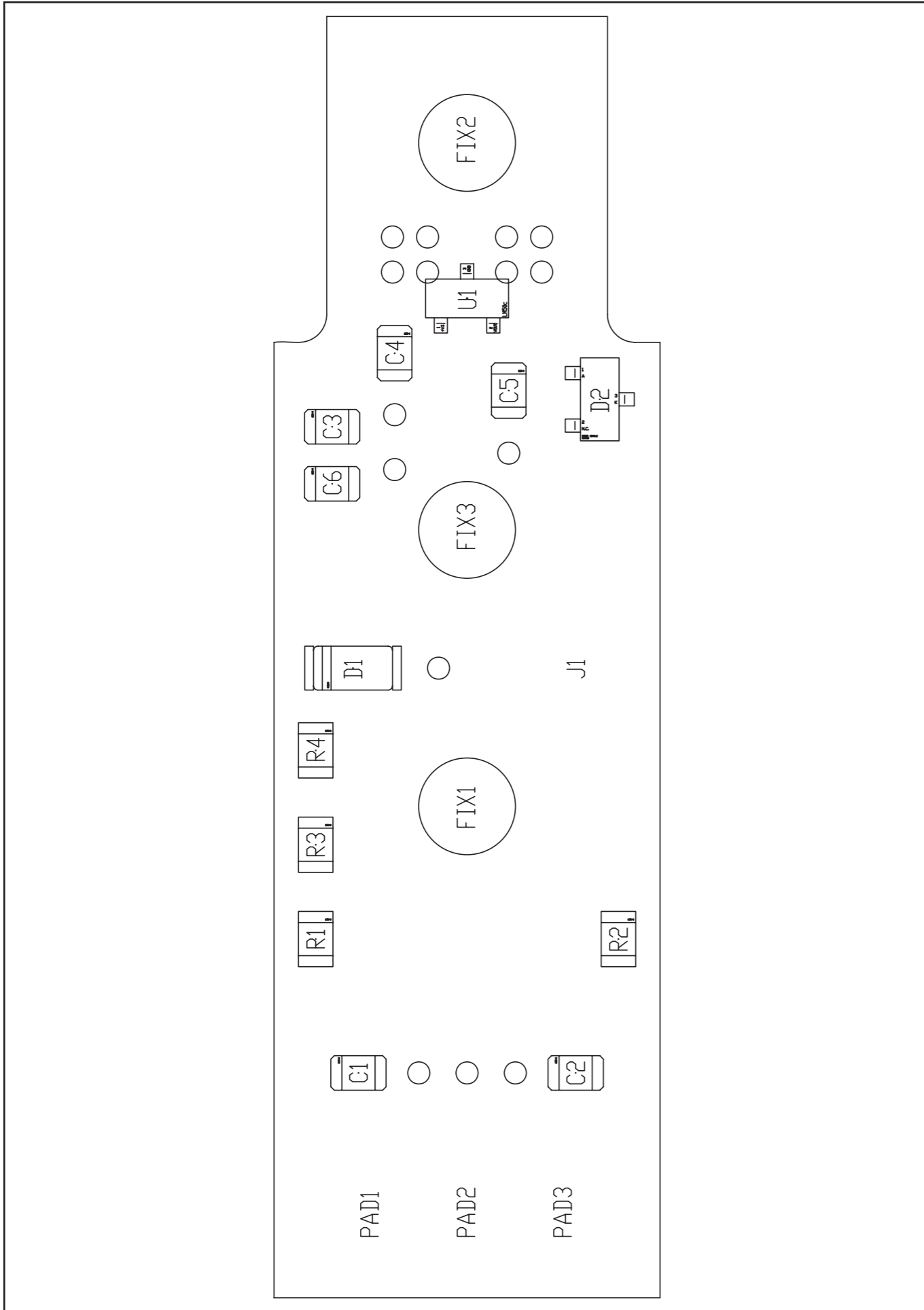
Nome Progetto: TEX PJ C HC	Pagina: 1	di: 1	Size: A4
Autore: Ufficio Tecnico	Data: 17/06/2013	Codice Progetto: 014	
Nome PC in Rete: \\RV\ut\riasciati	Revisione: 2.1	Nome Parte: SCHEDA PASSA PARETE	

SLFILPJ1KM

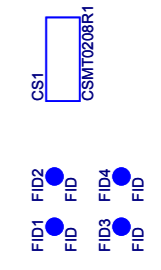
SCHEDA PASSA PARETE Revised: 17/06/2013
 SLFILPJ1KM Revision: 2.1
 TEX PJC HC

Item	Quantity	Reference	Part
1	8	C1, C2, C3, C4, C5, C6, C7, C8	1nFHQ
2	4	SW1, SW2, SW3, SW4	C.P.

SL024MT1001



Project Name: Thermal Probe		Page: 1 of 1	Size: A4
Designer: Mauro Ucelli	Date: 16/08/17	Project Code: RVR_024	
File Location: \\	Revision: 1.0	Description: Thermal Probe	
Folder/File: /	Approval:	Part No.: SL024MT1001	

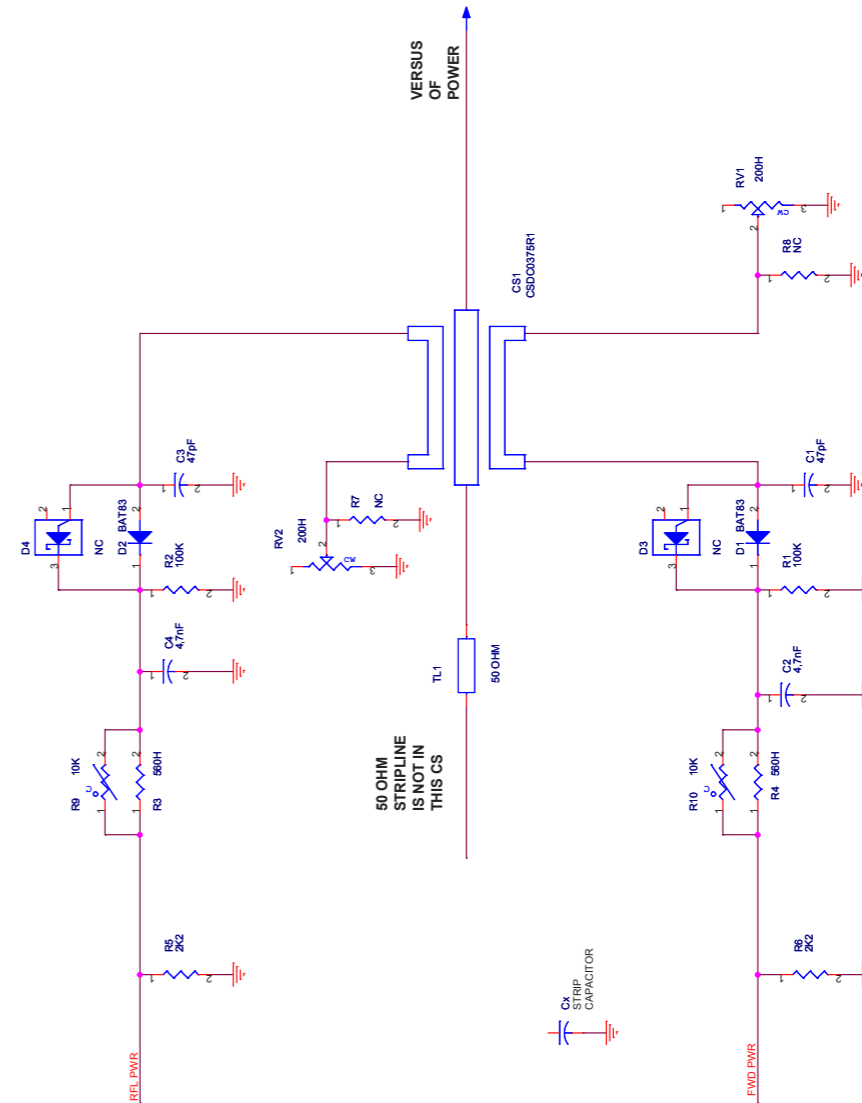
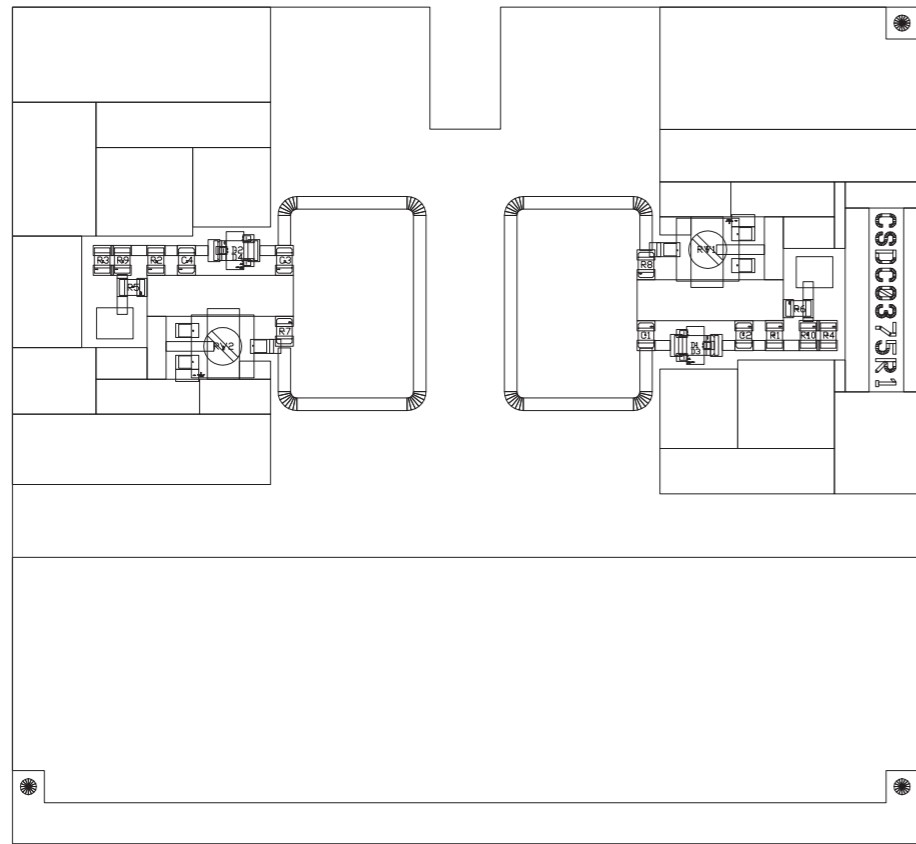


SL024MT1001

Thermal Probe
 Revision: 0.1
 Thermal Probe
 Mauro Ucelli
 08/04/08

tem	Quantity	Reference	Part	Description
1	4	C1,C2,C4,C5	4n7	Cond. SMD 0805
2	2	C3,C6	470n	Cond. SMD 0805
3	1	D1	9V1	MINIMELF SMD Zener Diode
4	1	D2	HSMS2800	Diodo Schottky SOT23
5	3	FIX1,FIX2,FIX3	FIX35	Foro fissaggio 3.5mm
6	1	J1	JSMDC	Pad SMD a saldare chiuso
7	1	PAD1	V-SUPPLY	
8	1	PAD2	GND	
9	1	PAD3	V-SIGNAL	
10	3	R1,R3,R4	680R	Res. SMD 0805
11	1	R2	51R	Res. SMD 0805
12	1	U1	LM50C_SMD	Temperature sensor
13	1	CS1	CSMT0208R1	Circuito stampato

SLDC0375R01V01



R.V.R. ELETTRONICA	NOME PROGETTO: TEX-LCD GREEN LINE	NOME PARTE: DIRECTIONAL COUPLER
	AUTORE: L. GASPERINI	DATA: 27/06/2014 REVISIONE: 1.1 SCALA: 2:1 SIZE: A4 PAGINA: 1 DI 1
ARCHIVIAZIONE ELETTRONICA: "CARTELLA RILASCIATI" SU "RVRUT"		CODICE PROGETTO: 237 CODICE DISEGNO: SLDC0375R01V01
MATERIALE: <>	TRATTAMENTO: <>	PROFILO: <> STATO: ESECUTIVO

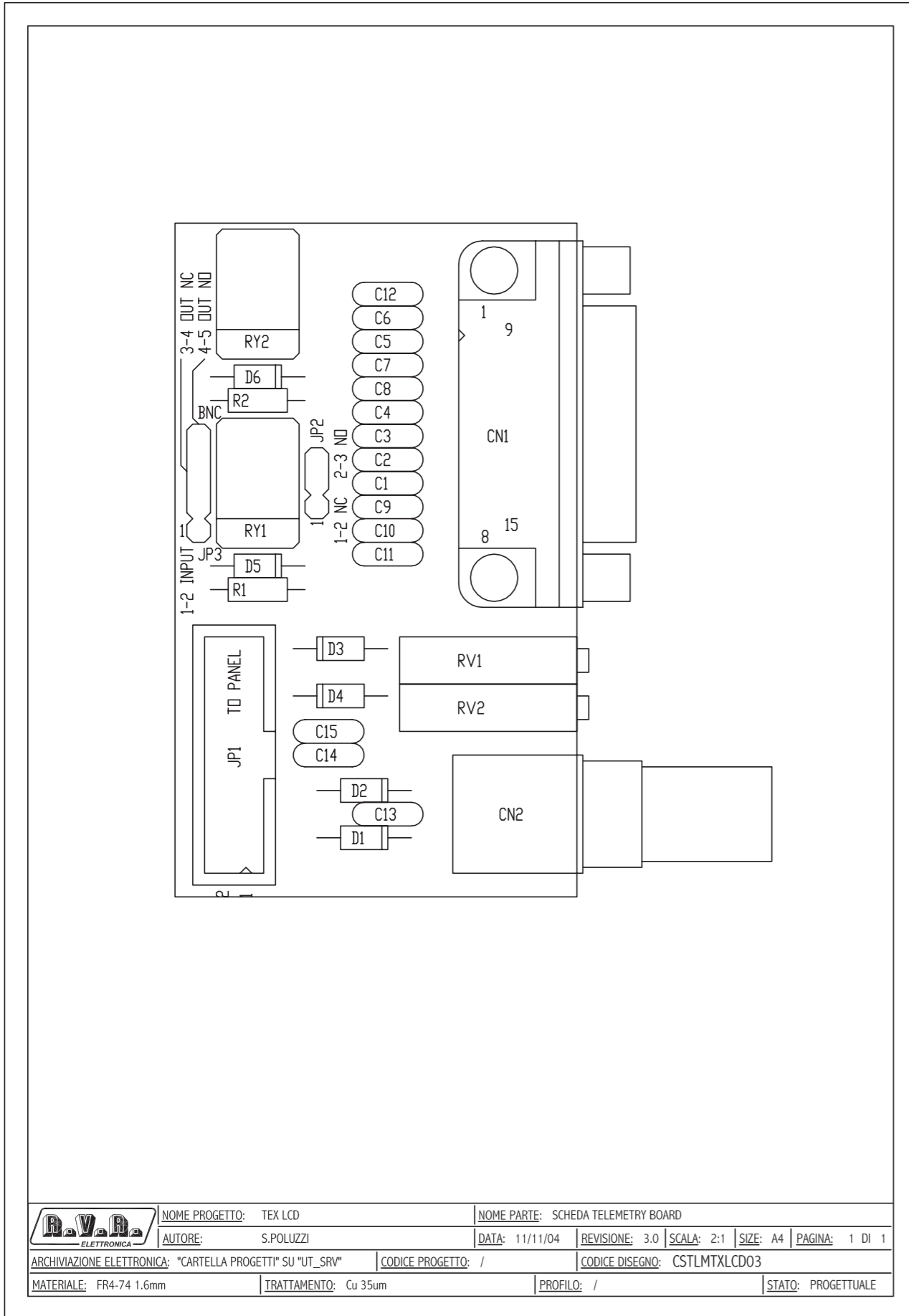
Description: Directional Coupler
Designer: L. Gasperini
Part No.: SLDC0375R01V01
Rev.: 1.1
Date: 27/06/2014
Page: 1 of 1

SLDC0375R01V01

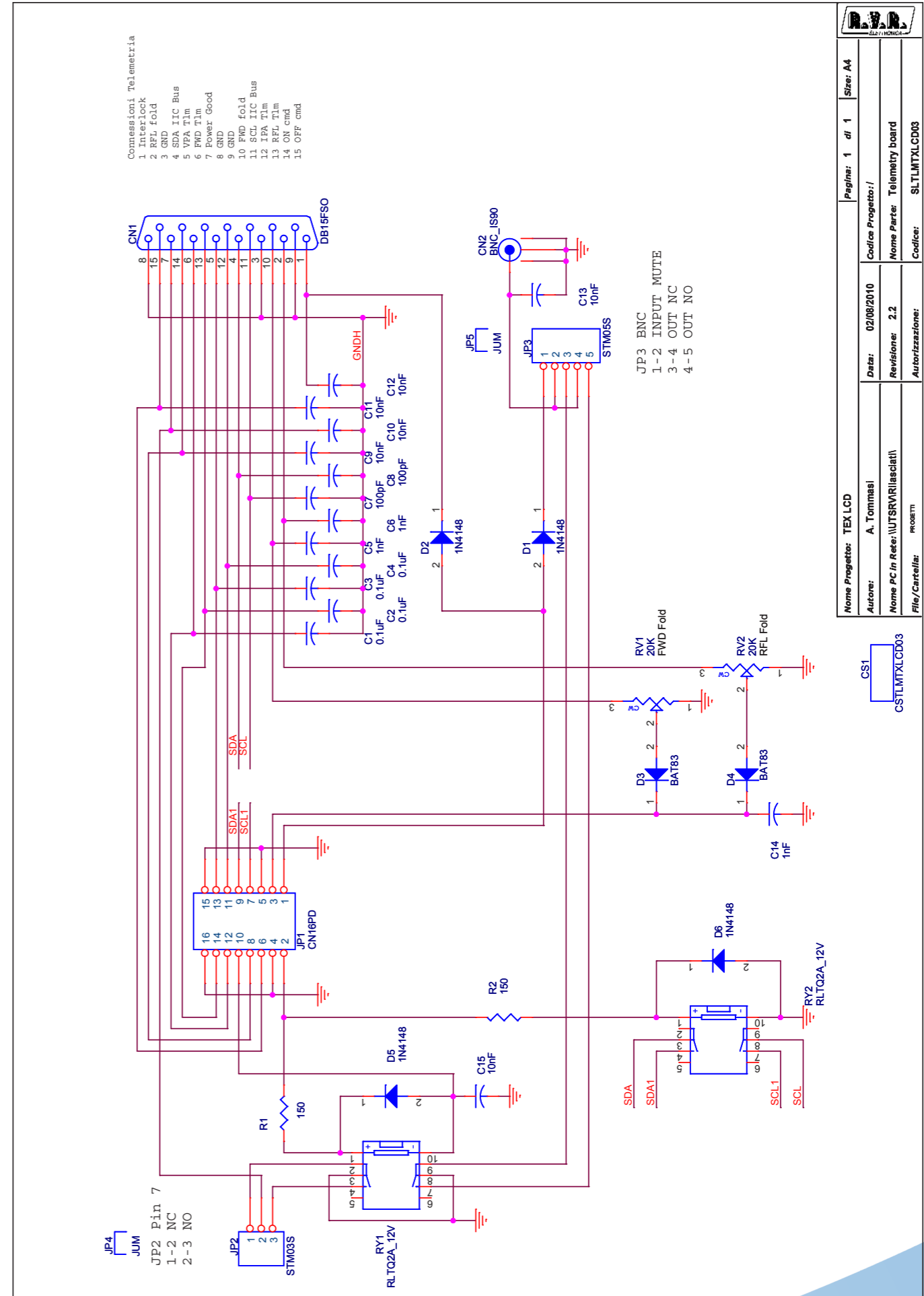
DIRECTIONAL COUPLER Revised: 27/06/2014
 SLDC0375R01V01 Revision: 1.1
 L. Gasperini

Item	Quantity	Reference	Part	{description}
1	1	CS1	CSDC0375R1	
2	1	Cx	27pFTFL	
3	2	C3, C1	47pF	Cond. SMD 0805
4	2	C2, C4	4,7nF	Cond. SMD 0805
5	2	D3, D4	NC	
6	2	D1, D2	BAT83	MINIMELF Diode
7	2	RV2, RV1	200H	Trimmer SMD
8	2	R1, R2	100K	Res. SMD 0805
9	2	R3, R4	560H	Res. SMD 0805
10	2	R5, R6	2K2	Res. SMD 0805
11	2	R9, R10	10K	Res. NTC SMD 0805
12	2	R7, R8	NC	Res. SMD 0805
13	1	TL1	50 OHM	Linea strip CS

SLTLMTXLCD03



R.V.R. ELETTRONICA	NOME PROGETTO: TEX LCD	NOME PARTE: SCHEDA TELEMETRY BOARD
AUTORE: S.POLUZZI	DATA: 11/11/04	REVISIONE: 3.0
ARCHIVIAZIONE ELETTRONICA: "CARTELLA PROGETTI" SU "UT_SRV"	CODICE PROGETTO: /	SCALA: 2:1
MATERIALE: FR4-74 1.6mm	TRATTAMENTO: Cu 35um	PROFILO: /
		STATO: PROGETTUALE
		SIZE: A4
		PAGINA: 1 DI 1
		CODICE DISEGNO: CSTLMTXLCD03



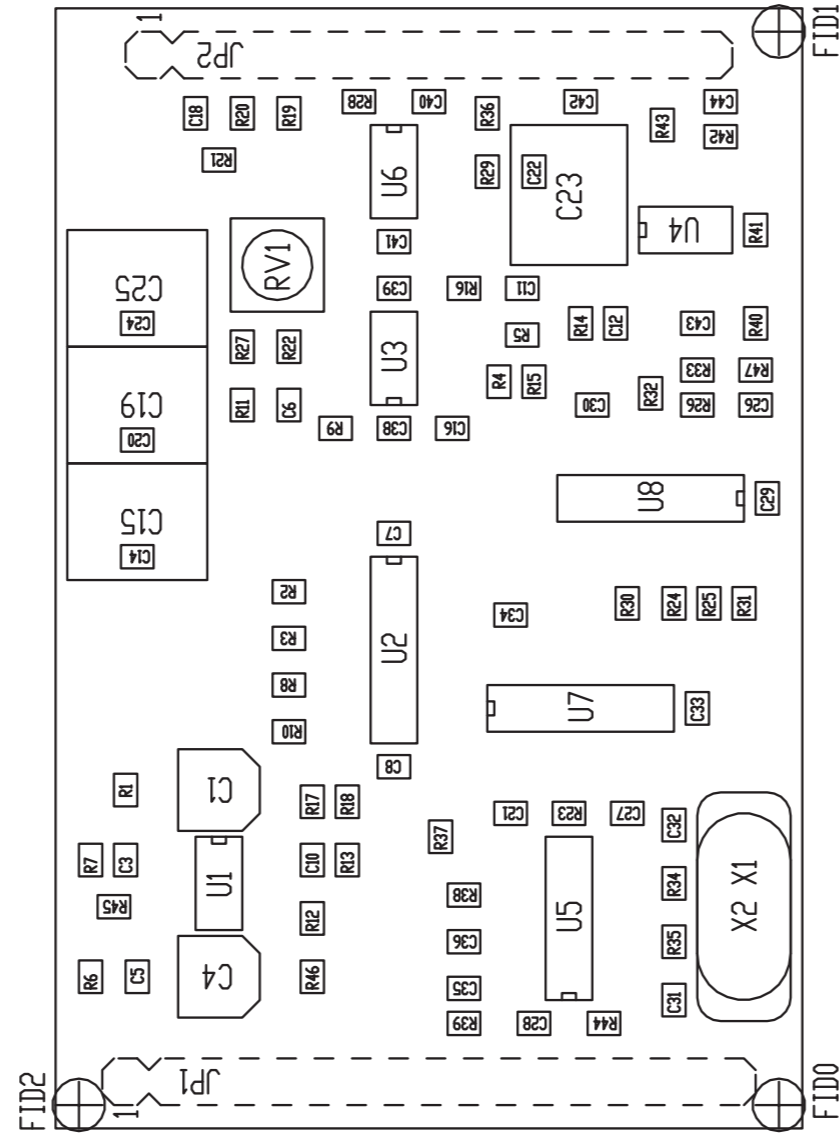
R.V.R. ELETTRONICA	Nome Progetto: TEX LCD	Pagina: 1 di 1	Size: A4
Autore: A. Tommasi	Nome PC in Rete: \UTSRV\riasciat\	Nome Parte: Telemetry board	Codice: SLTLMTXLCD03
File/Carrello: moatti	Revisione: 2.2	Autore: /	
	Autore: /		


SLTLMTXLCD03

Telemetry board Revised: 02/08/10
 SLTLMTXLCD03 Revision: 2.2
 TEX-LCD/RXRL-LCD/PTRL-LCD
 Andrea Tommasi

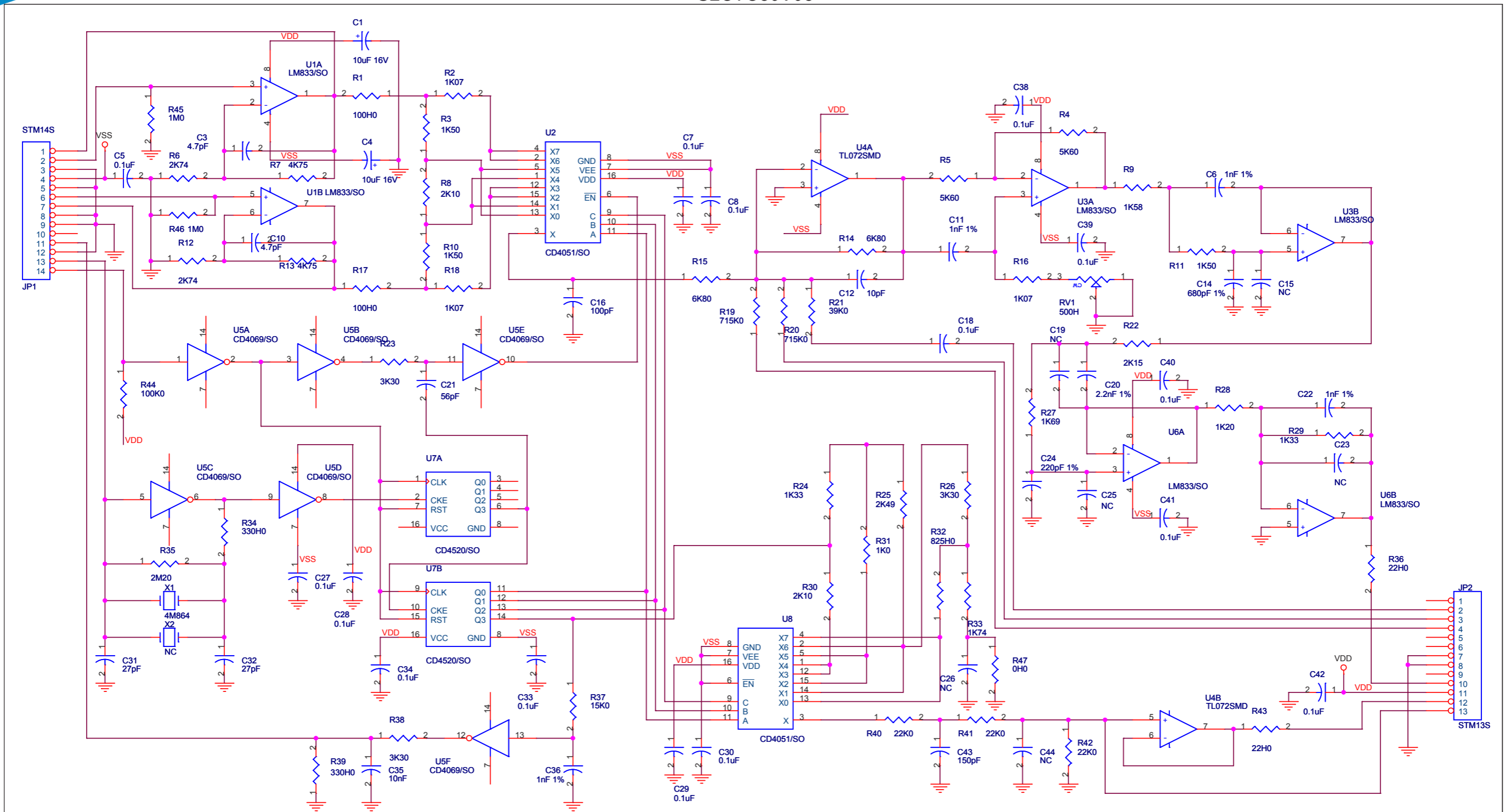
Item	Quantity	Reference	Part	Description
1	1	CN1	DB15FSO	Connettore DB15 femm. cs 90°
2	1	CN2	BNC_IS90	Connettore BNC metallico 90°
3	1	CS1	CSTLMTXLCD03	Circuito stampato
4	4	C1, C2, C3, C4	0.1uF	Cond. ceramico p 5mm
5	3	C5, C6, C14	1nF	Cond. ceramico p 5mm
6	2	C7, C8	100pF	Cond. ceramico p 5mm
7	6	C9, C10, C11, C12, C13, C15	10nF	Cond. ceramico p 5mm
8	4	D1, D2, D5, D6	1N4148	Diode in vetro DO35
9	2	D3, D4	BAT83	Diode Hot carrier DO35
10	1	JP1	CN16PD	Connettore 16 poli Flat cs
11	1	JP2	STM03S	Strip maschio 3 pin
12	1	JP3	STM05S	Strip maschio 5 pin
13	2	JP4, JP5	JUM	Ponticello Jumper
14	2	RV1, RV2	20K	Trimmer Rg H 3006
15	2	RY2, RY1	RLTQ2A_12V	Rele' TQ2
15	2	R1, R2	150	Res. 1/4W

SLCTC30V03



	NOME PROGETTO: PTX-LCD	NOME PARTE: CODER CARD
ARCHIVIAZIONE ELETTRONICA: \\VRUT\	AUTORE: A. TOMMASI	DATA: 08/04/2004
MATERIALE:	CODICE PROGETTO: 011	REVISIONE: 1.0
TRATTAMENTO:	CODICE DISEGNO: SLCTC30V03	SCALA: 2:1
	PROFILO:	SIZE: A4
	STATO: ESECUTIVO	PAGINA: 1 DI 1

SLCTC30V03



CS1
CSCTC30V03

Description: Coder Card		
Designer: A. Tommasi	Size: A3	Page: 1 of 1
Part No.: SLCTC30V03	Rev. 1.2	Date: 26/01/2015



SLCTC30V03

Coder Card Revised: 26/01/2015
 SLCTC30V03 Revision: 1.2
 A. Tommasi

Item	Q.ty	Reference	Part	Description
1	1	CS1	CSCTC30V03	Circuito stampato
2	2	C1, C4	10uF 16V	Cond. Elett. SMD d. 4mm
3	2	C3, C10	4.7pF	Cond. SMD 0805
4	15	C5, C7, C8, C18, C27, C28, C29, C30, C33, C34, C38, C39, C40, C41, C42	0.1uF	Cond. SMD 0805
5	4	C6, C11, C22, C36	1nF 1%	Cond. SMD 0805 COG
6	1	C12	10pF	Cond. SMD 0805
7	1	C14	680pF 1%	Cond. SMD 0805 COG
8	4	C15, C19, C23, C25	NC	Cond. Poliestere p 5mm (5*7mm)
9	1	C16	100pF	Cond. SMD 0805
10	1	C20	2.2nF 1%	Cond. SMD 0805 COG
11	1	C21	56pF	Cond. SMD 0805
12	1	C24	220pF 1%	Cond. SMD 0805 COG
13	1	C26	NC	Cond. SMD 0805
14	2	C31, C32	27pF	Cond. SMD 0805
15	1	C35	10nF	Cond. SMD 0805
16	1	C43	150pF	Cond. SMD 0805
17	1	C44	NC	Cond. SMD 0805
18	1	JP1	STM14S	Strip maschio 14 pin
19	1	JP2	STM13S	Strip maschio 13 pin
20	1	RV1	500H	Trimmer SMD
21	2	R1, R17	100H0	Res. SMD 0805
22	3	R2, R16, R18	1K07	Res. SMD 0805
23	3	R3, R10, R11	1K50	Res. SMD 0805
24	2	R4, R5	5K60	Res. SMD 0805
25	2	R6, R12	2K74	Res. SMD 0805
26	2	R7, R13	4K75	Res. SMD 0805
27	2	R8, R30	2K10	Res. SMD 0805
28	1	R9	1K58	Res. SMD 0805
29	2	R14, R15	6K80	Res. SMD 0805
30	2	R19, R20	715K0	Res. SMD 0805
31	1	R21	39K0	Res. SMD 0805
32	1	R22	2K15	Res. SMD 0805
33	3	R23, R26, R38	3K30	Res. SMD 0805
34	2	R24, R29	1K33	Res. SMD 0805
35	1	R25	2K49	Res. SMD 0805
36	1	R27	1K69	Res. SMD 0805
37	1	R28	1K20	Res. SMD 0805
38	1	R31	1K0	Res. SMD 0805
39	1	R32	825H0	Res. SMD 0805
40	1	R33	1K74	Res. SMD 0805
41	2	R34, R39	330H0	Res. SMD 0805
42	1	R35	2M20	Res. SMD 0805
43	2	R36, R43	22H0	Res. SMD 0805
44	1	R37	15K0	Res. SMD 0805
45	3	R40, R41, R42	22K0	Res. SMD 0805
46	1	R44	100K0	Res. SMD 0805
47	2	R45, R46	1M0	Res. SMD 0805
48	1	R47	0H0	Res. SMD 0805
49	3	U1, U3, U6	LM833/SO	Dual Op. SMD SO8
50	2	U2, U8	CD4051/SO	Analog Switch SMD SO16
51	1	U4	TL072SMD	Dual Op. SMD SO8
52	1	U5	CD4069/SO	Hex inverter SO14
53	1	U7	CD4520/SO	Dual binary counter
54	1	X1	4M864	Quarzo SMD HC49SMD
55	1	X2	NC	Quarzo HC18